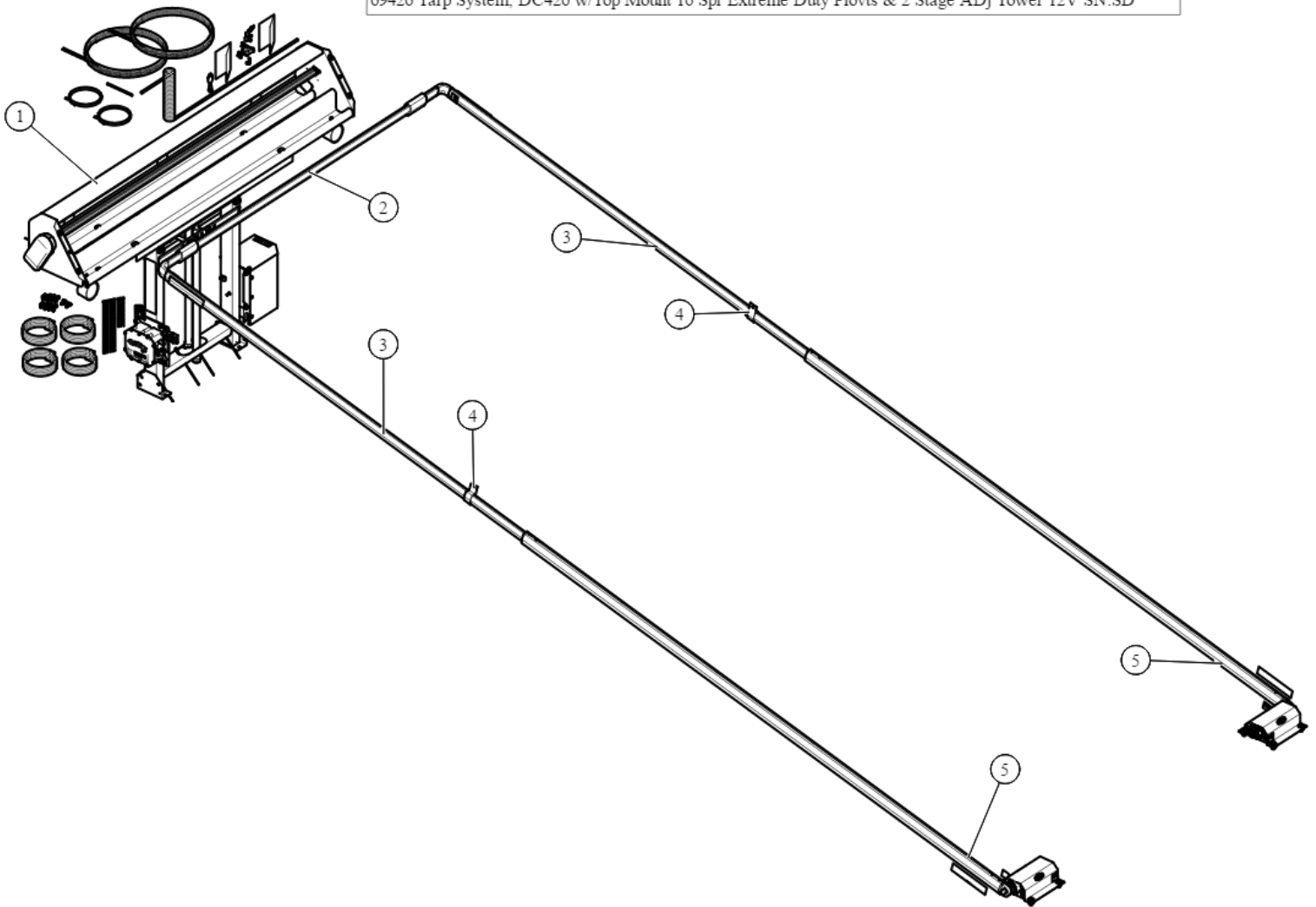




[DC426. SD Dual Stage Tower. 16 Spring 22' Top Mount Ext Duty
Pivot. Extreme Bow Set](#)

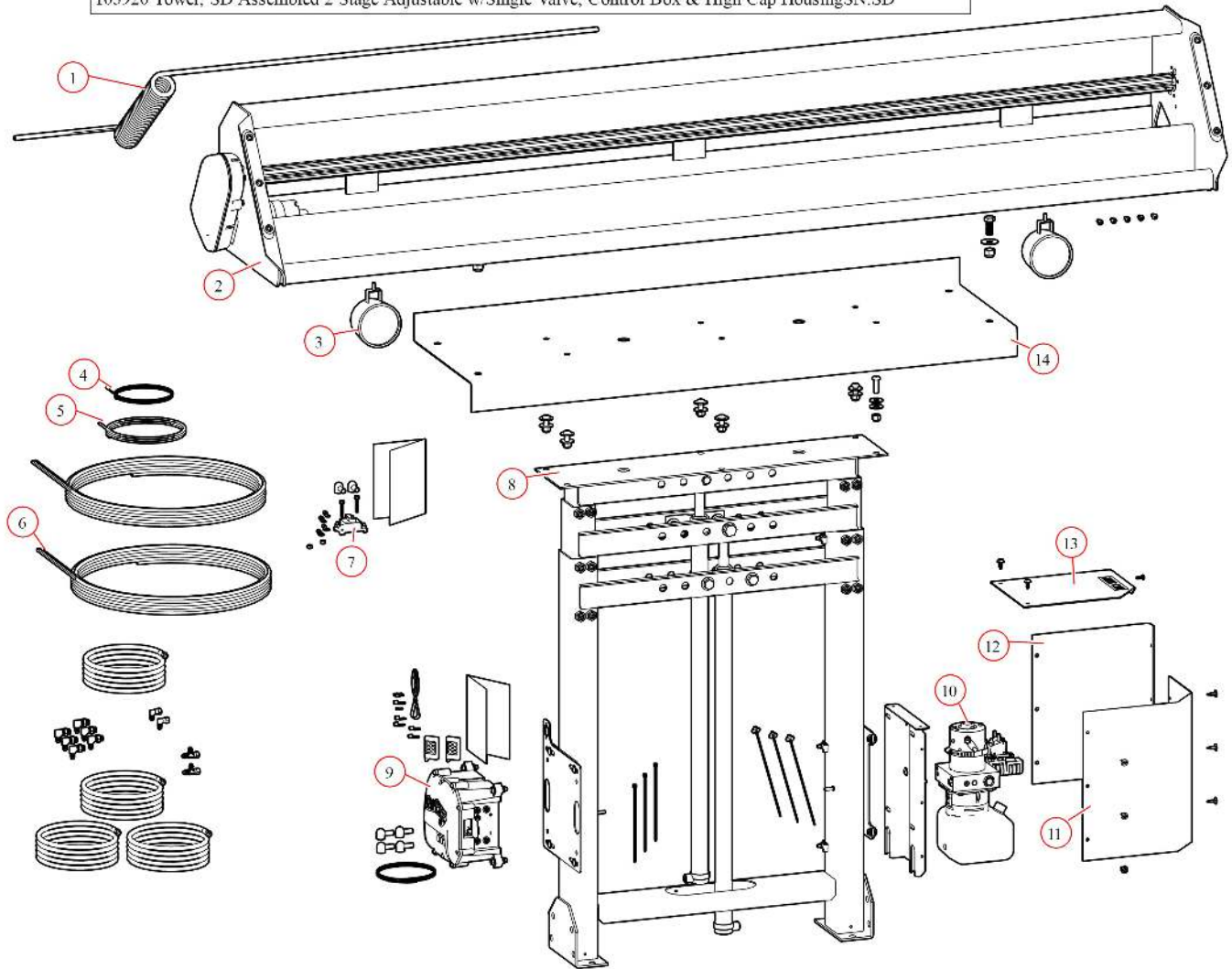
Part Number: 69426

69426 Tarp System, DC426 w/Top Mount 16 Spr Extreme Duty Pivots & 2 Stage ADj Tower 12V SN:SD



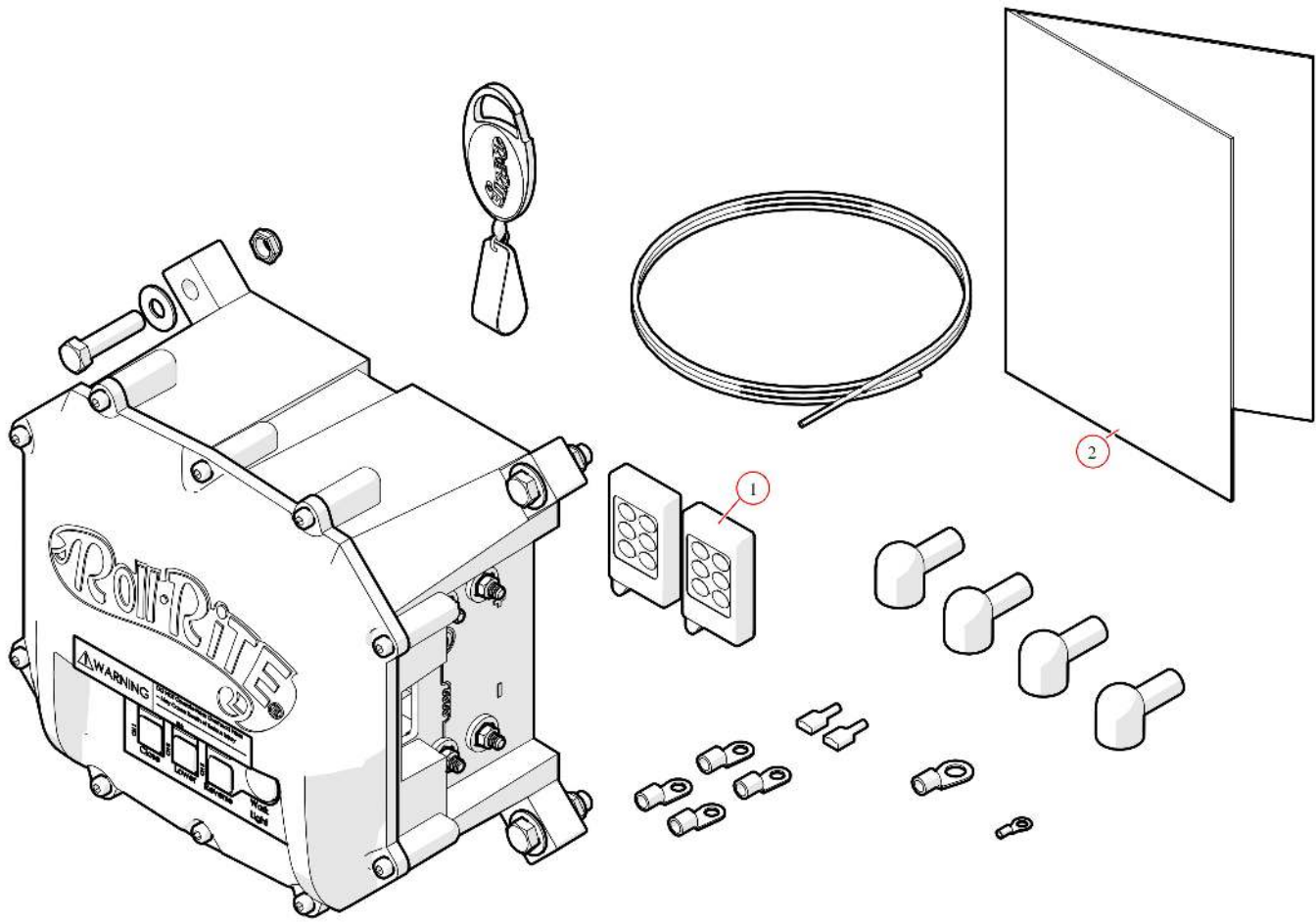
Bom ID	Part#	Description	qty
1	103920	Tower. SD Assembled 2 Stage Adjustable w/Single Valve. Control B...	1
2	76723	103 1/2" Wide Extreme Duty Top Tube Kit w/ Extreme Duty 90 Degr...	1
3	46262	Pivot Tube. 22' w/ Set Screws	2
4	76831	Bracket. Pivot Arm Tie Down	2
5	104276	Top Mount Ext Duty Pivot Set. 16 Spring w/ Tubes and Hardware	1

103920 Tower, SD Assembled 2 Stage Adjustable w/Single Valve, Control Box & High Cap HousingSN:SD



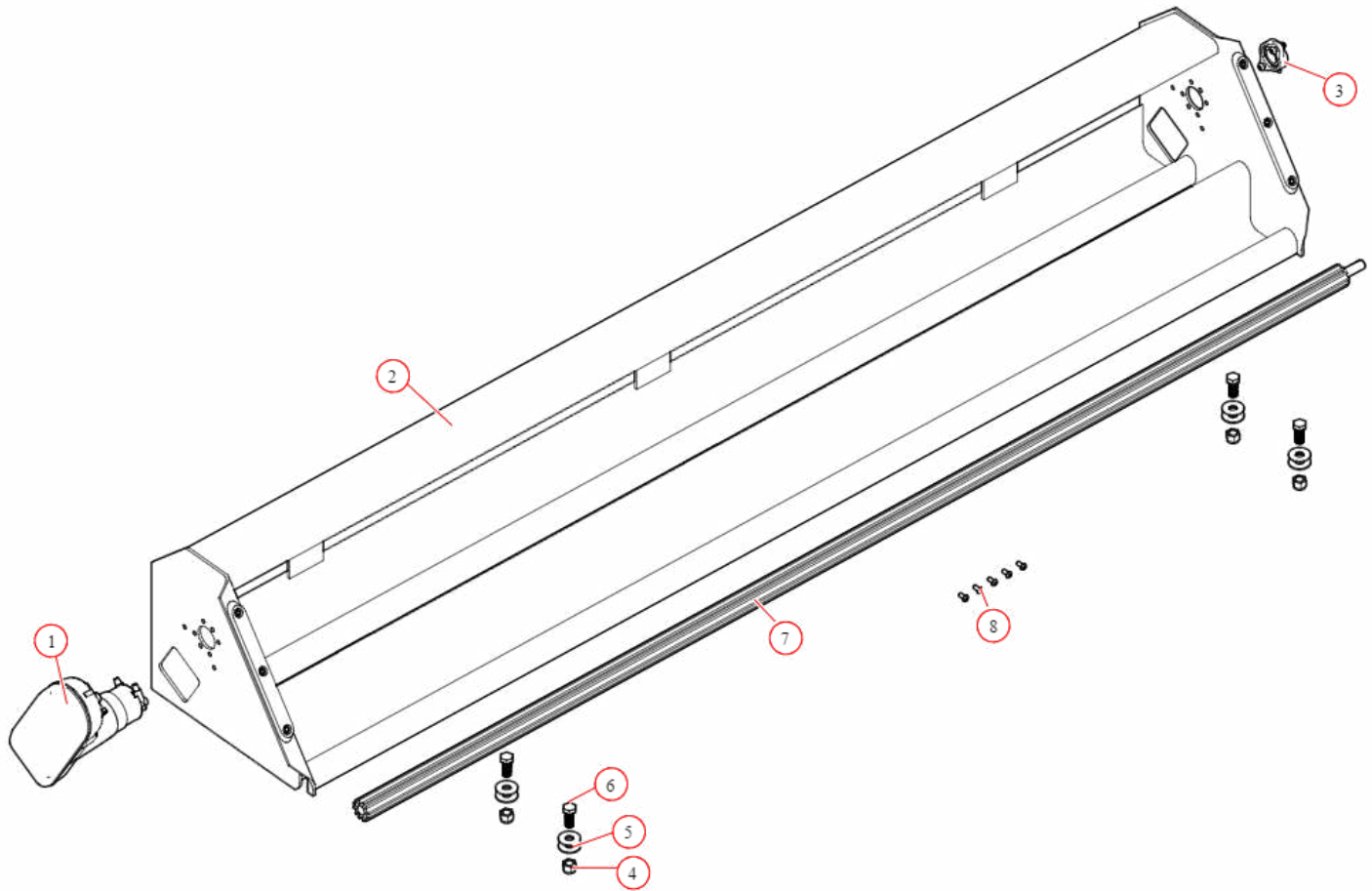
Bom ID	Part#	Description	qty
1	11328	Wire. 2 Stage Tower Coil 110" - Assembled	1
2	36052	Spool Kit. Super Duty High Capacity 104"	1
3	104103	Light. Work Light LED 12V	2
5	11345	Wire. 16 ga. 2-Conductor (per foot)	2
6	11330	Wire. 6 Ga. Dual Conductor - (per ft)	2
7	17913	Breaker. 100 amp Manual Reset Breaker Kit for 24V & 12V Integrate...	1
8	39005	Tower. Dual Stage Steel Tower w/Hydraulic. Cylinder for Integrated ...	1
9	19865	Control Box. Wireless Black Control Box - 12/24V Waste	1
10	39612	Hydraulic Power Unit. 12V. 1 Valve	1
11	39615	PUMP COVER. POLY SIDE COVER FOR VERT MOUNT PUMP	1
13	10778	Bracket. Steel Vert Pump Mount Cover	1
14	39033	Bracket. Steel Wing Mount for High Capacity Tarp Spool Housing	1

19865 Control Box, wireless Black Control Box for Waste, 12 V



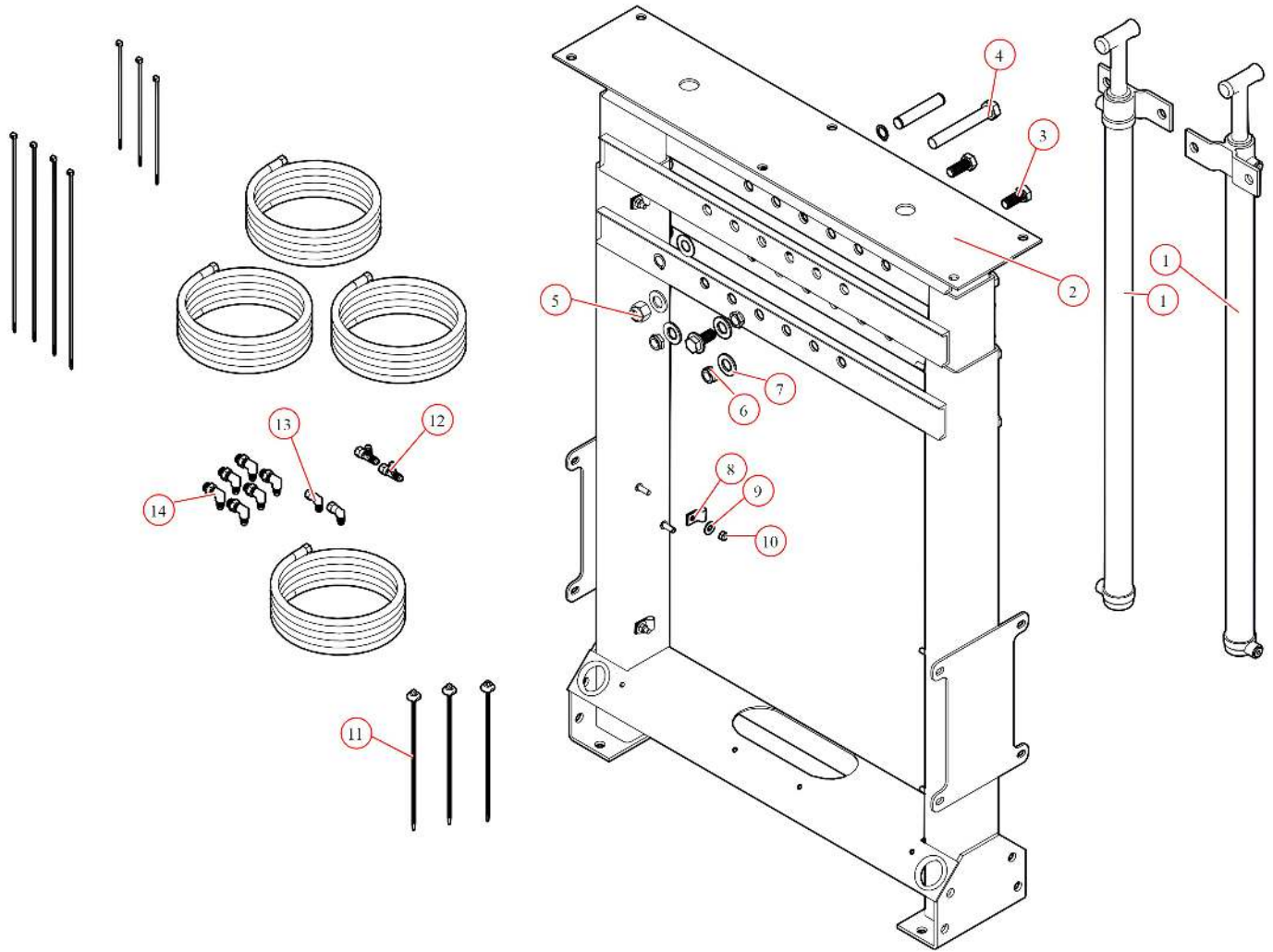
Bom ID	Part#	Description	qty
1	19801	RF Transmitter/FOB. 433MHz. Gen1 Motor Relay	2

36052 Spool Kit, Super Duty High Capacity 104"



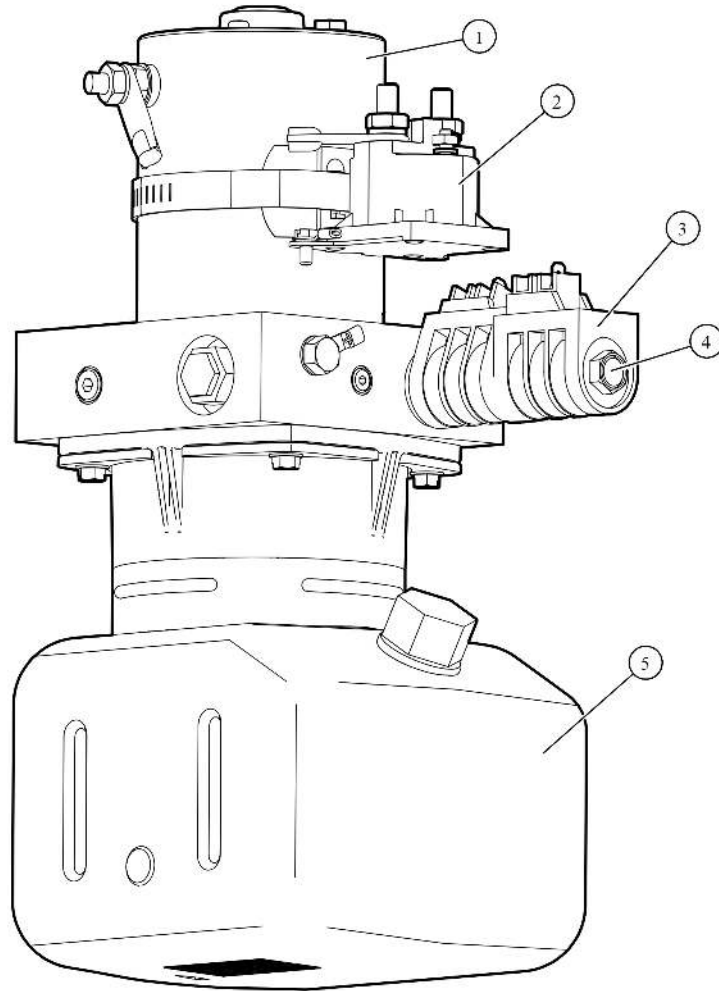
Bom ID	Part#	Description	qty
1	10122	Super Duty Motor 12V. 5 Year Warranty :S/N:	1
2	36172	Housing. 104" High Capacity Tarp Spool	1
3	31050	Bearing. 3/4" Flanged Axle Bearing with bolts	1
7	31040	Axle. 103" Pre-ThreadedTarp Axle w/Stub Shaft	1

39005 Tower, Dual Stage Adjustable Tower w/Hydraulic Cylinder - Integrated Housing



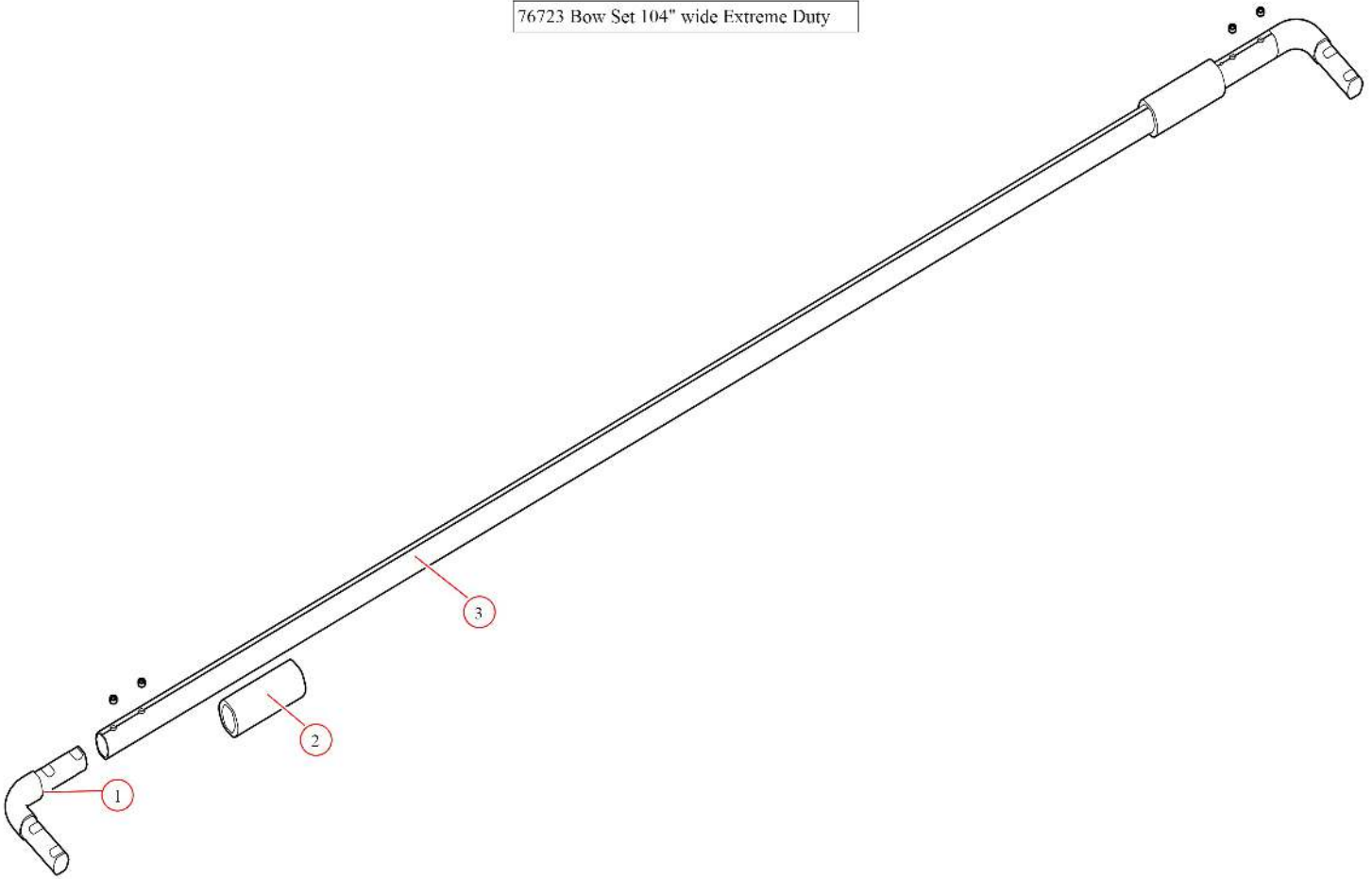
Bom ID	Part#	Description	qty
1	39520	Cylinder. 1.5" Bore x 36" Stroke DA. Single Flange Mount	2
2	101472	Tower. 2 Stage Tower for Int Housing - Stationary Dual stage	1
4	18721	Bolt. 3/4" x 5" Hex Head	1
5	18640	Nut. 3/4" Nylock Nut	1
6	18716	Nut. 5/8" Nylock Jamb Nut Zinc	3
8	16345	Clamp. 1/2" Rubber Coated	1
11	39314	Adapter. Tee #4 Male Tube to #4 Female Swivel to #4 male Tube	2
12	39297	Adapter. 90 #4 Male tube to #4 37° female swivel	2
13	39098	Adapter. 90 #4 Male Tube to #6 Adj Male Oring	6

39612 Pump Assembly, 12V Hydraulic Pump w/Manifold & 1 Valve & Compact Tank



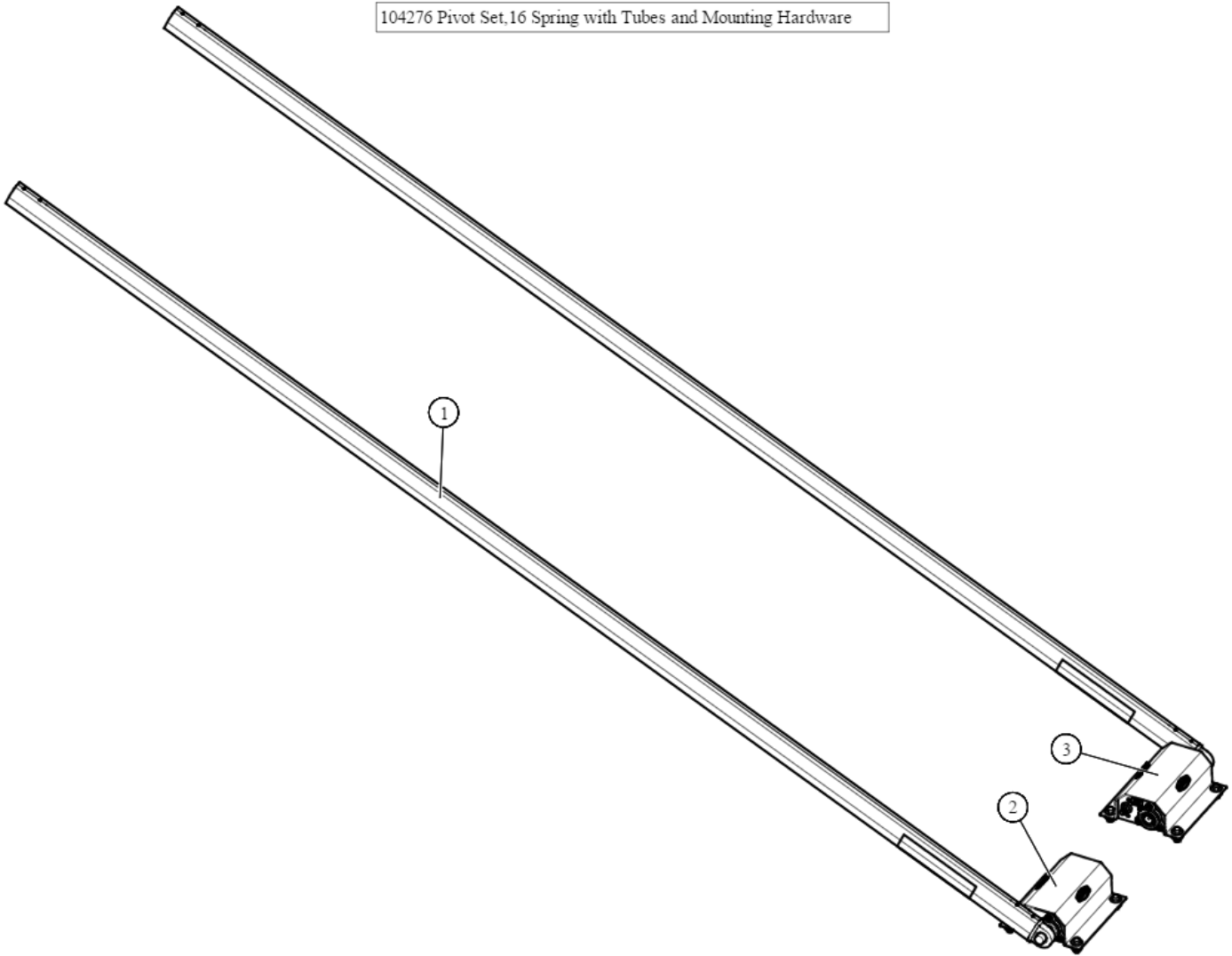
Bom ID	Part#	Description	qty
1	102832	Motor. Replacement Motor for Hydraulic Pump 12 V (39612 & 39712...	1
2	102079	Solenoid. 12VDC Start Switch for Power Unit (39612 & 39712) MTE...	1
3	102078	Coil. 12VDC for Power Unit (39612 & 39712) MTE39002301	2
4	102080	Valve. 3P4W Tandem Center Directional Power Unit (39612)MTE38...	1
5	102073	Cap Kit (Cap and Rubber Grommet)	1
6	102074	Tank Kit. 1 Gallon MTE	1

76723 Bow Set 104" wide Extreme Duty



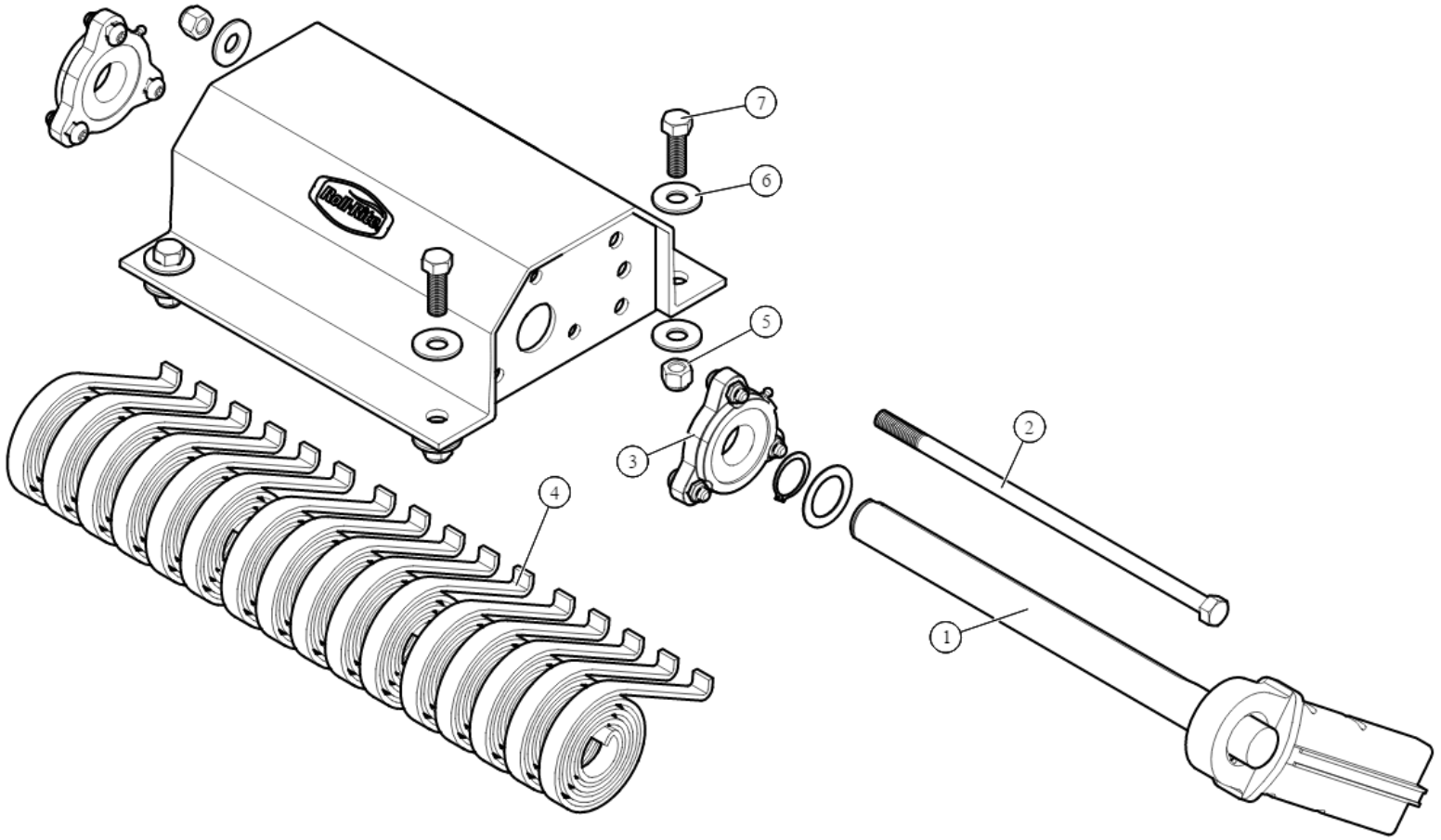
Bom ID	Part#	Description	qty
1	76805	Casting. Extreme Duty Corner - 90 Degree (each)	2
2	76814	Flange. Extreme Duty Tarp Centering Flange 6"	2
3	76875	Bow Tube. Extreme Duty "WIDE" Bow Top Tube (103")	1

104276 Pivot Set, 16 Spring with Tubes and Mounting Hardware



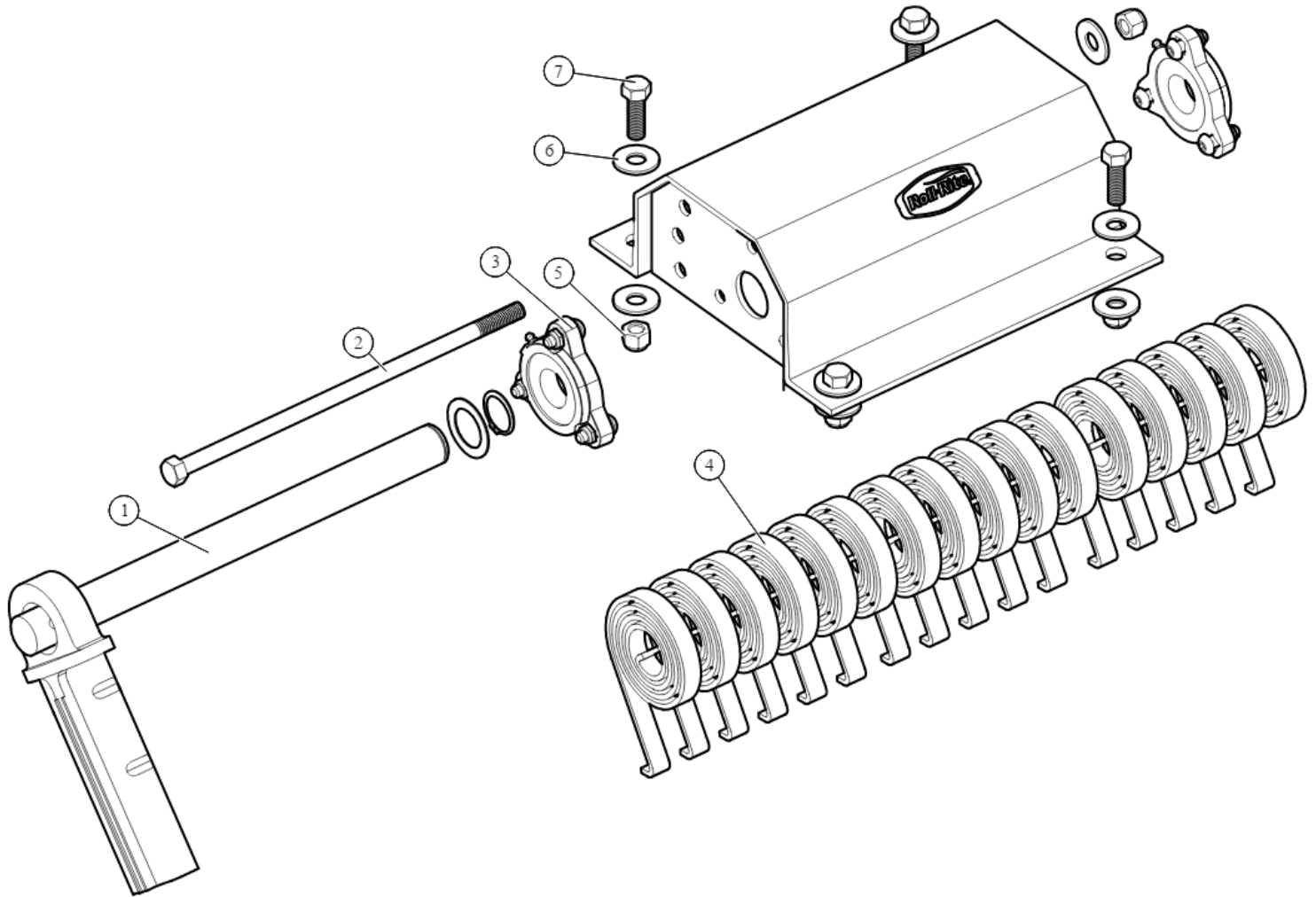
Bom ID	Part#	Description	qty
1	101188	Socket Tube (Drilled & Tapped - 160")	1
2	103626	Pivot Assembly. 16 Spring Ext Duty Top Mount w/out Tube - Passen...	1
3	103625	Pivot Assembly. 16 Spring Ext Duty Top Mount w/out Tube - Driver ...	1

103625 Pivot Assembly, 16 Spring Ext Duty Top Mount w/out Tube - Driver Side



Bom ID	Part#	Description	qty
1	101004	Pivot Pin. for 16-Spring Ext Duty Roller Bearing - Driver	1
2	18575	Bolt. Bolt for Pin. 1/2" x 13 Zinc Hex Head Grade 5 - 16 spring box	1
3	47800	Bearing. Carrier Underbody Flanged	2
4	47230	Spring. Spiral Torsion Spring 1 1/4"	16

103626 Pivot Assembly, 16 Spring Ext Duty Top Mount w/out Tube - Passenger Side



Bom ID	Part#	Description	qty
1	101005	Pivot Pin. for 16-Spring Ext Duty Roller Bearing - Pass	1
2	18575	Bolt. Bolt for Pin. 1/2" x 13 Zinc Hex Head Grade 5 - 16 spring box	1
3	47800	Bearing. Carrier Underbody Flanged	2
4	47230	Spring. Spiral Torsion Spring 1 1/4"	16