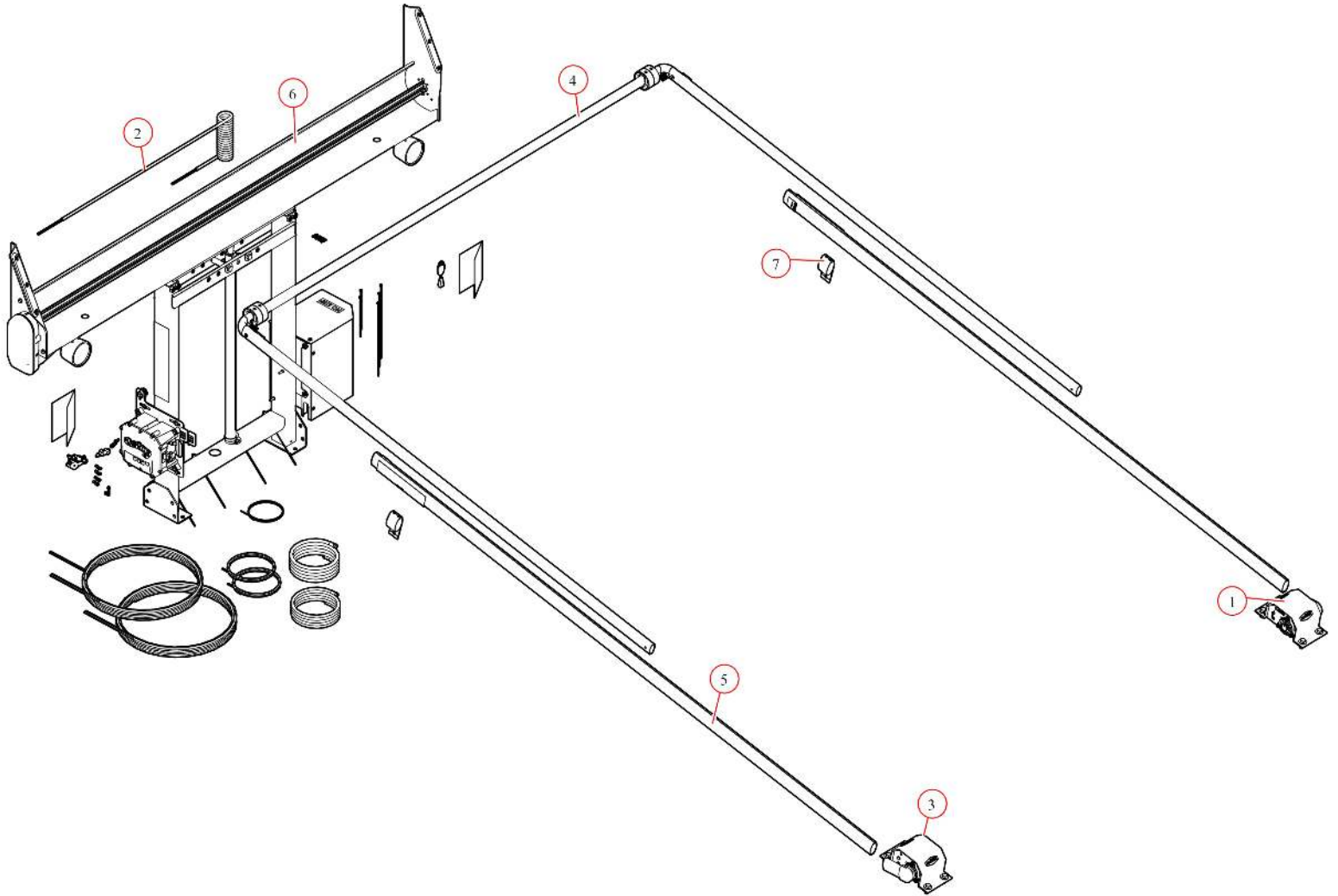


DC410. SD Single Stage High Wing Tower. 6 Spring 120" Top
Mount. Wide Bow Set

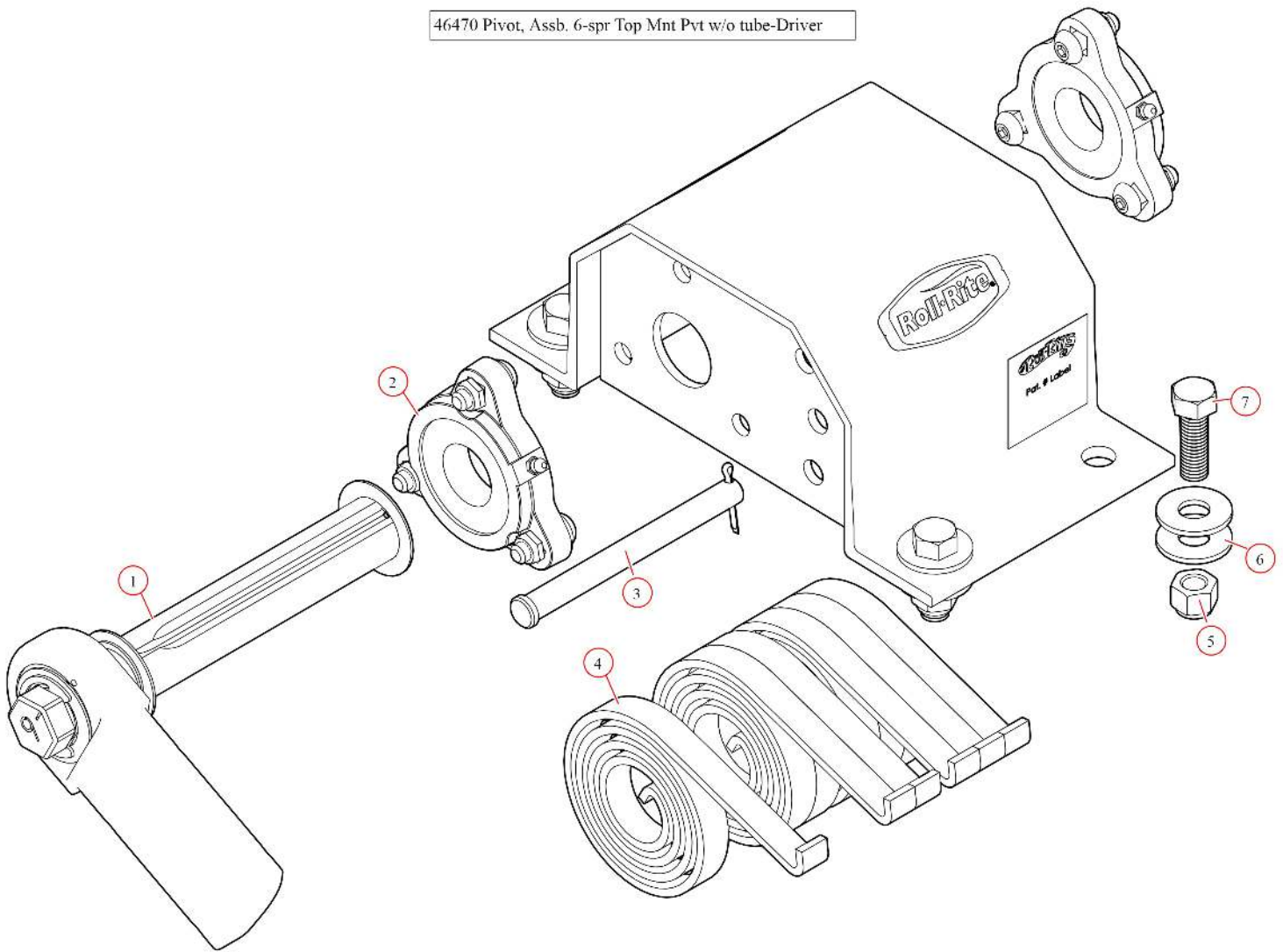
Part Number: 69410

69410 System, DC400 w/Top Mount Pivot, 12 V., High Wing Tower



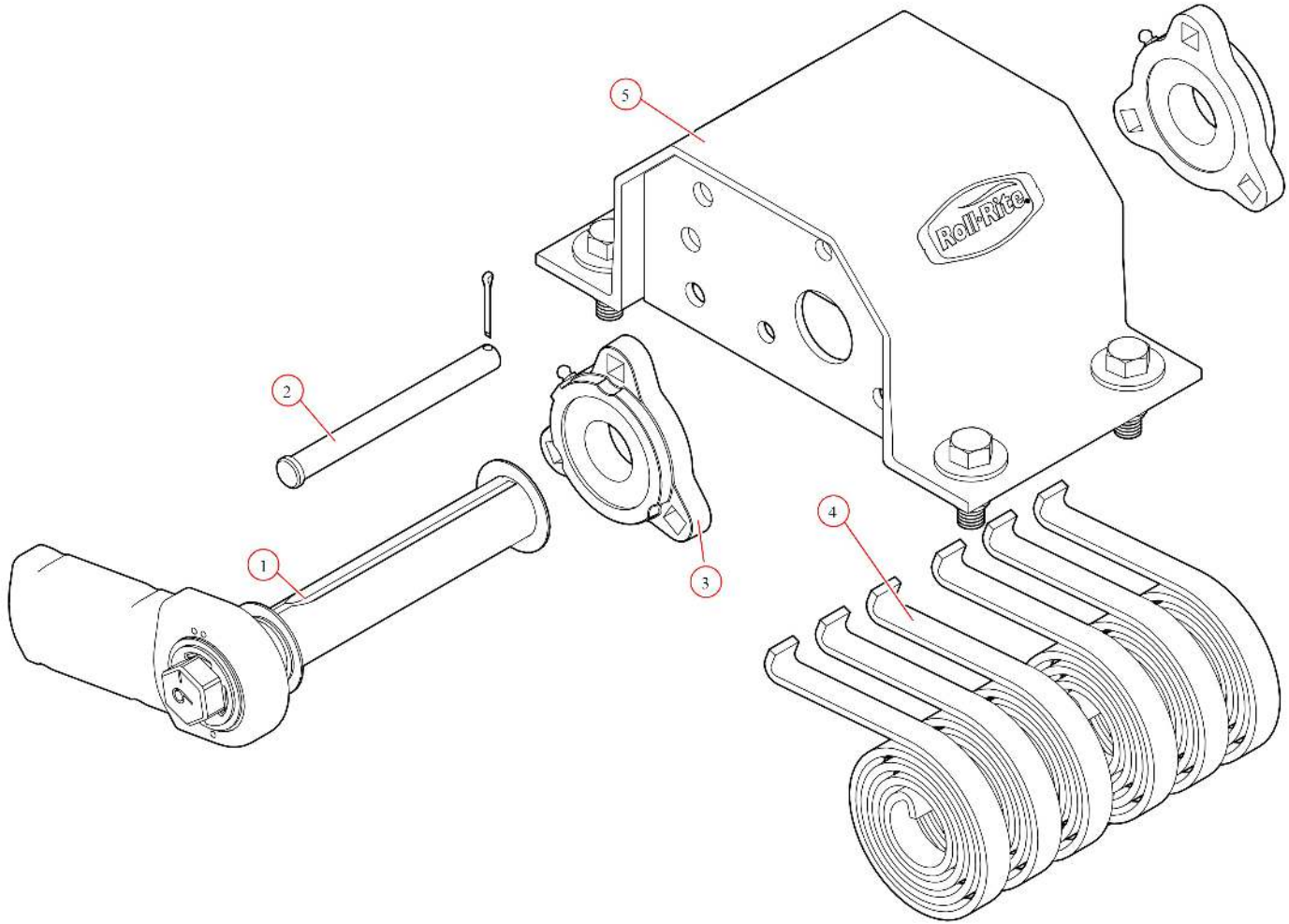
Bom ID	Part#	Description	qty
1	46470	Pivot Assembly. 6 Spring Top Mount Pvt w/out Tube - Drivers Side	1
3	46480	Pivot Assembly. 6 Spring Top Mount Pivot w/out Tube - Passenger ...	1
4	76720	Bow Set. 103 1/2" Wide Top Tube and 103 1/2" Side Arms	1
5	46220	Pivot Tube. 120" w/Set Screws (each)	2
7	76831	Bracket. Pivot Arm Tie Down	2

46470 Pivot, Assb. 6-spr Top Mnt Pvt w/o tube-Driver



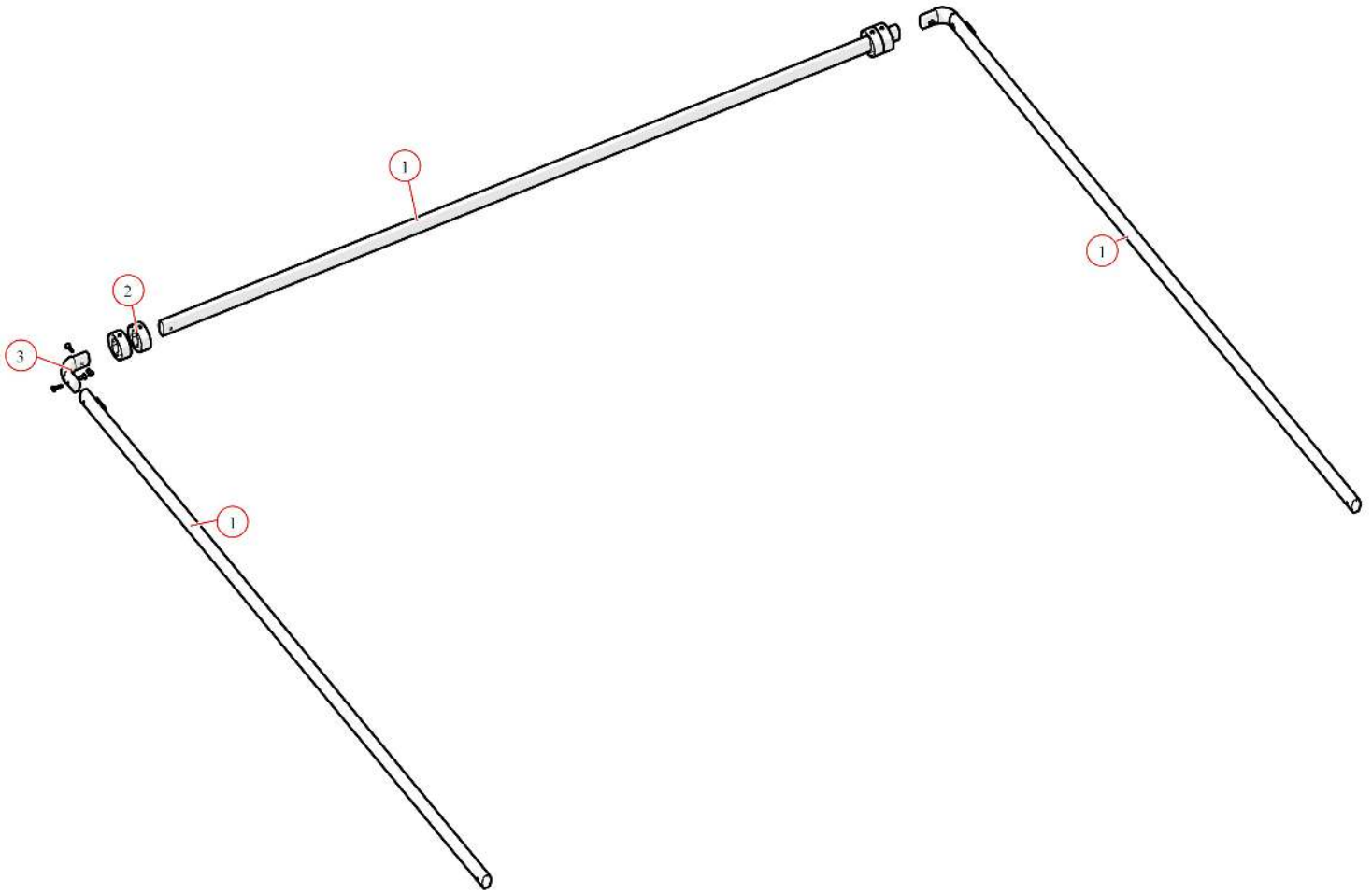
Bom ID	Part#	Description	qty
1	46360	Pivot Pin. for 5 & 6 Spring Roller Bearing - Drivers Side	1
2	47800	Bearing. Carrier Underbody Flanged	2
3	18540	Pin. 1/2" x 5-1/4" Clevis	1
4	47230	Spring. Spiral Torsion Spring 1 1/4"	6

46480 Pivot, Assb. 6-spr Top mnt pvt w/o Tube-Pass



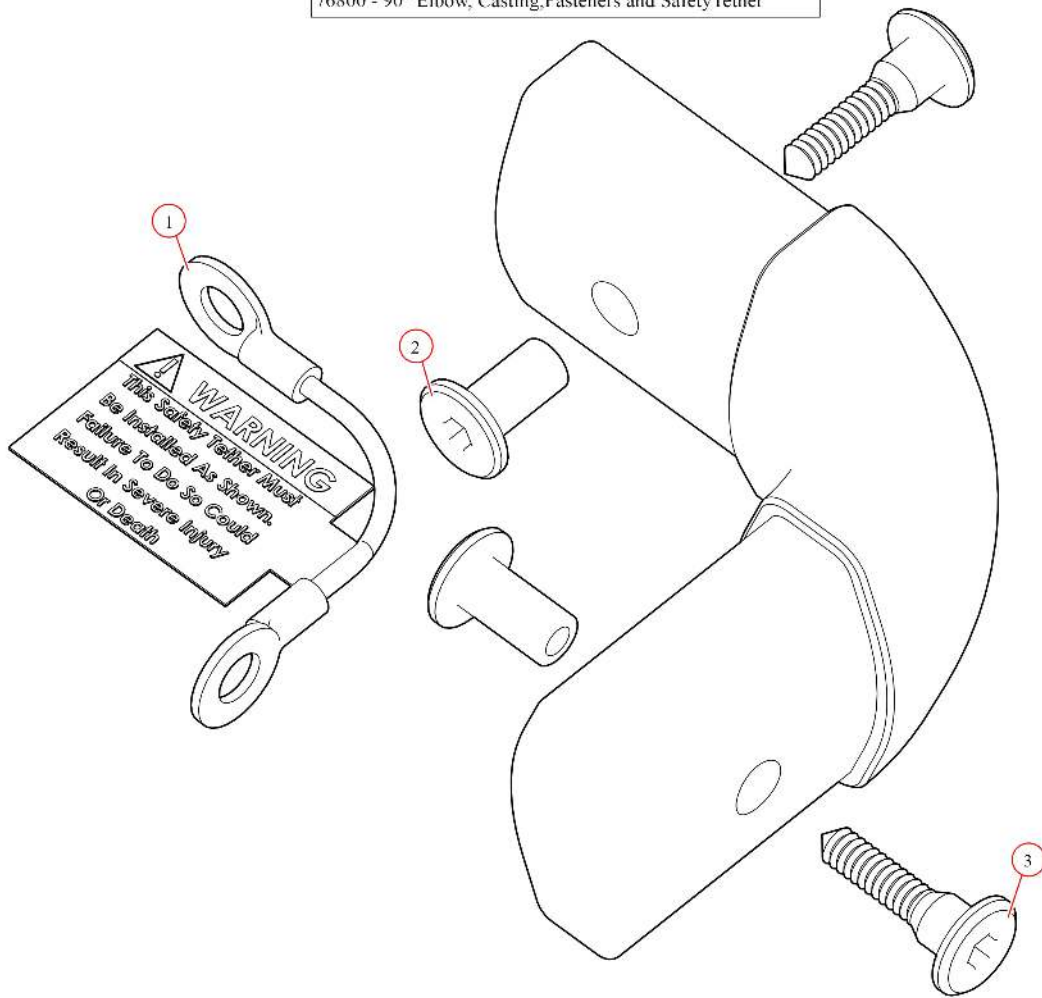
Bom ID	Part#	Description	qty
1	46370	Pivot Pin. for 5 & 6-Spring Roller Bearing - Passenger	1
2	18540	Pin. 1/2" x 5-1/4" Clevis	1
3	47800	Bearing. Carrier Underbody Flanged	2
4	47230	Spring. Spiral Torsion Spring 1 1/4"	6
5	46400	Bracket. for 6-Spring Top Mount Pivots-each	1

76720 Bow Set, 103 1/2" Wide Top Tube w/ 98" Bow Arms



Bom ID	Part#	Description	qty
1	76870	Bow Tube. 103 1/2" AL Wide Top Tube for Tarp Bow	3
2	76810	Tarp Flange for Bow Tube (Pair)	2
3	76800	Casting. Aluminum Corner - 90 Degree With Fasteners and Tether	2

76800 - 90° Elbow, Casting, Fasteners and Safety Tether



Bom ID	Part#	Description	qty
1	103533	Tether. Cable with Install Label for 90 degree corner	1
2	18719	Nut. 1/4-20 Cap Conn Nut Clear Zinc - Post bolt for 90 degree corne...	2
3	18718	Bolt. 1/4-20 x 1 3/16 Bolt Clear Zinc - Post bolt for 90 degree corners	2