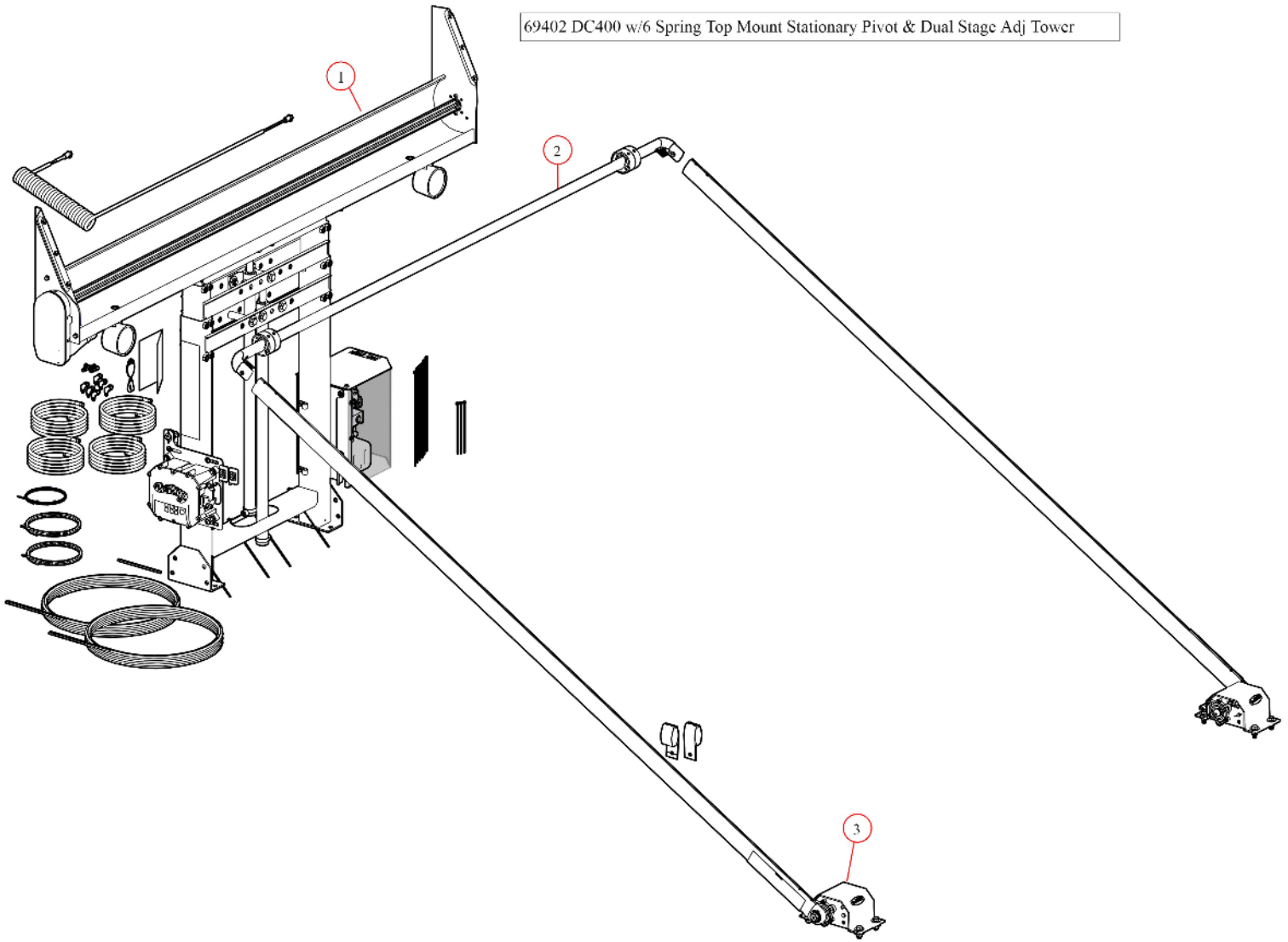


DC402. SD Dual Stage Tower. 6 Spring Top Mount Pivot. Wide
Bow Set

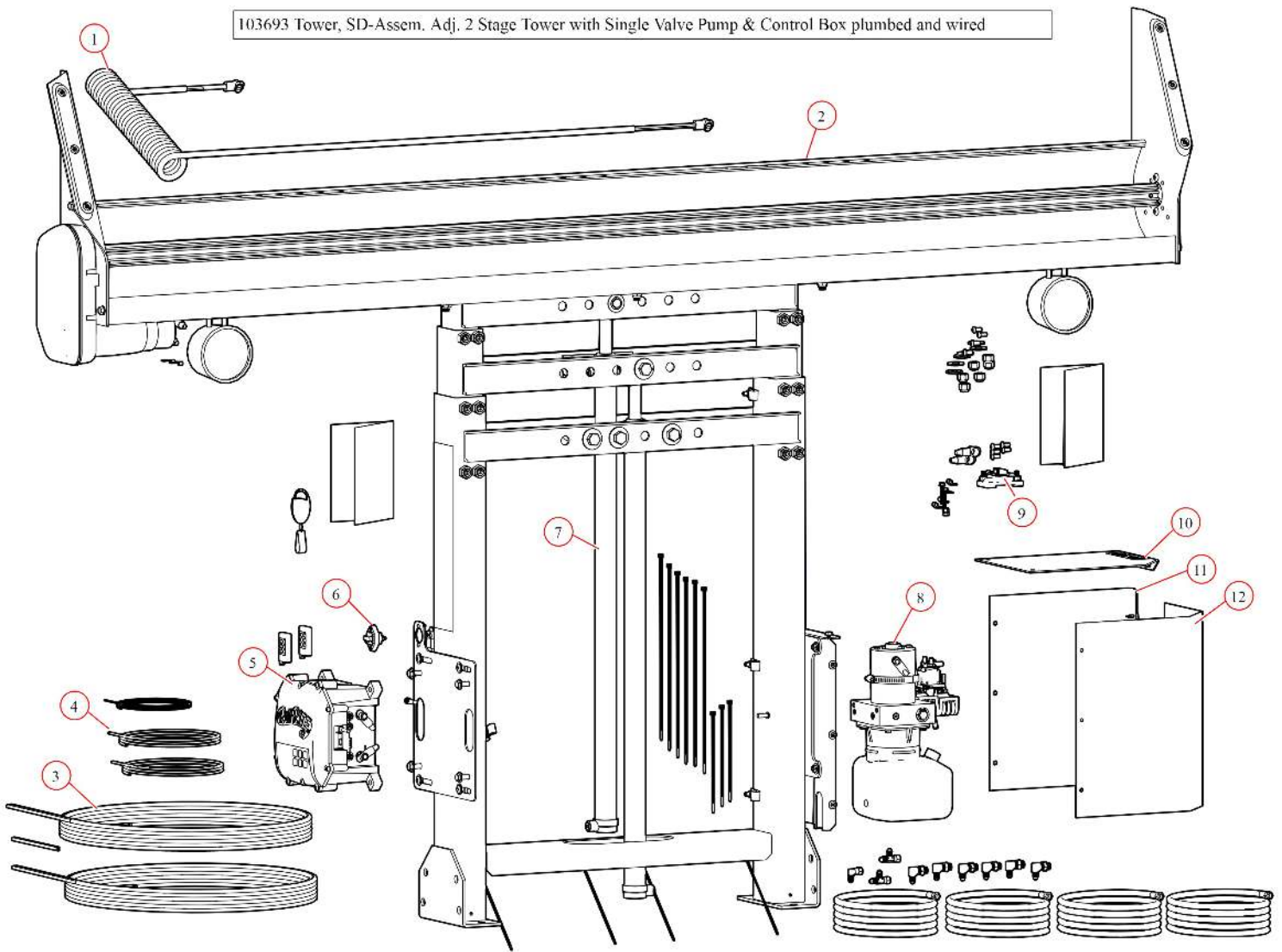
Part Number: 69402

69402 DC400 w/6 Spring Top Mount Stationary Pivot & Dual Stage Adj Tower



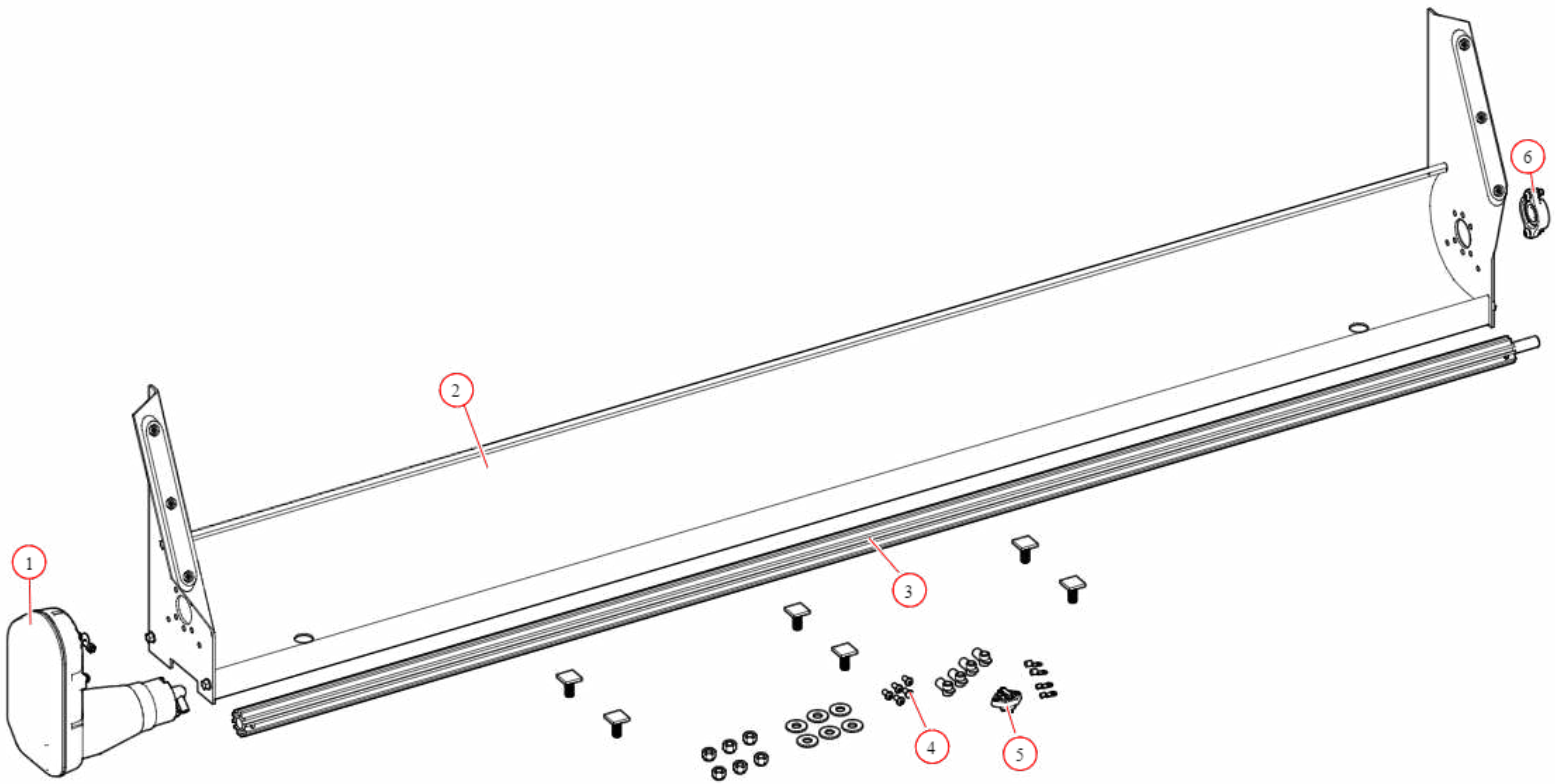
Bom ID	Part#	Description	qty
1	103639	Tower Assembly. Super Duty Dual Stage Tower w/Single Valve Pum...	1
2	76720	Bow Set. 103 1/2" Wide Top Tube and 103 1/2" Side Arms	1
3	46590	Pivot Set. Top Mount 6 Spring Pivot w/120" Tubes (B1-46591/B2-46...	1

103693 Tower, SD-Assem. Adj. 2 Stage Tower with Single Valve Pump & Control Box plumbed and wired



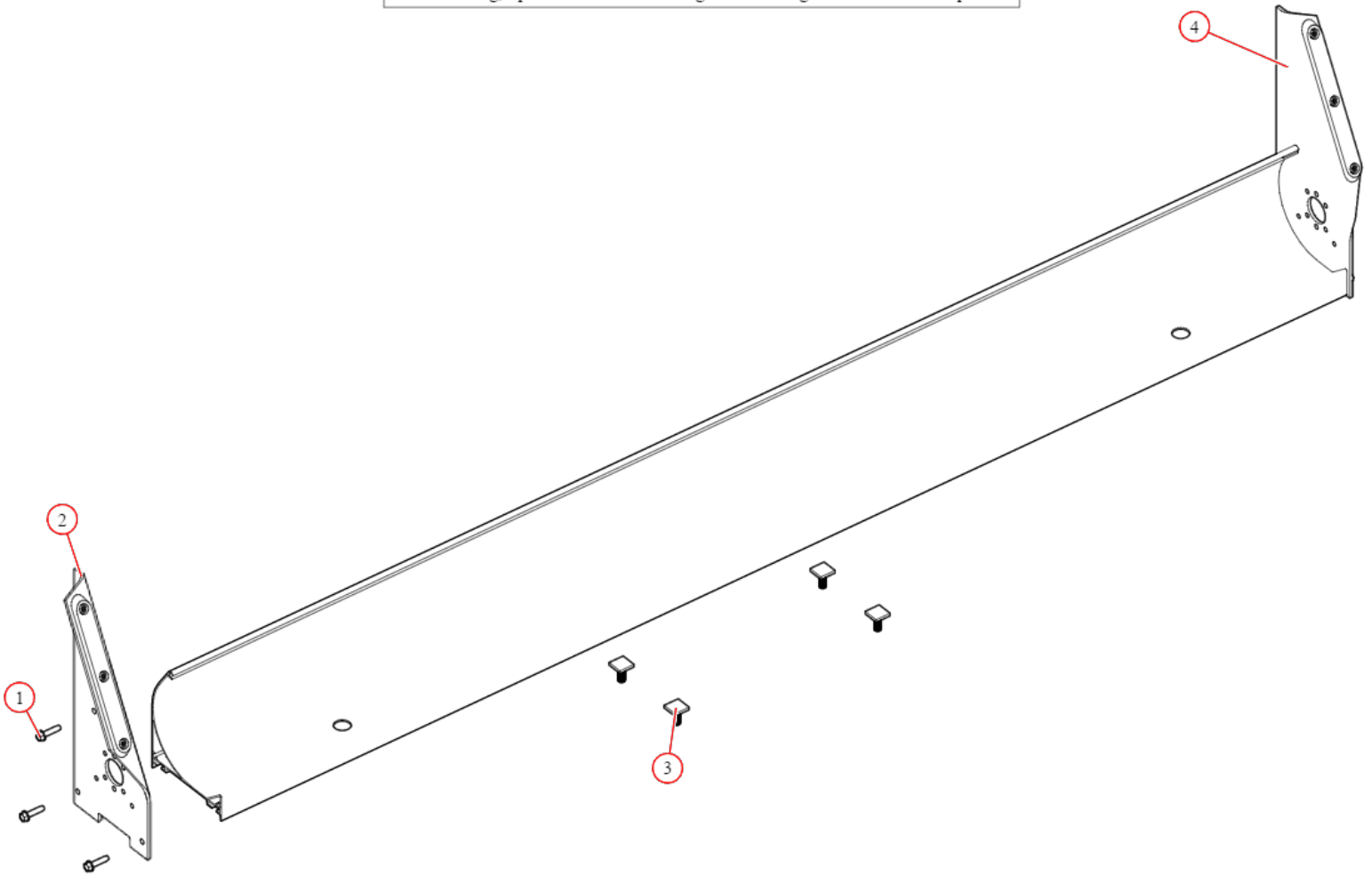
Bom ID	Part#	Description	qty
1	11328	Wire. 2 Stage Tower Coil 110" - Assembled	1
2	100527	Spool Kit. Super Duty Tarp Spool w/98" Integrated Housing & High ...	1
3	11330	Wire. 6 Ga. Dual Conductor - (per ft)	1
4	11345	Wire. 16 ga. 2-Conductor (per foot)	1
5	19865	Control Box. Wireless Black Control Box - 12/24V Waste	1
6	17918	Breaker. 35A Outdoor Manual Reset Circuit Breaker	1
7	39520	Cylinder. 1.5" Bore x 36" Stroke DA. Single Flange Mount	2
8	39612	Hydraulic Power Unit. 12V. 1 Valve	1
9	17913	Breaker. 100 amp Manual Reset Breaker Kit for 24V & 12V Integrate...	1
10	10778	Bracket. Steel Vert Pump Mount Cover	1
12	39615	PUMP COVER. POLY SIDE COVER FOR VERT MOUNT PUMP	1

100527 Spool Kit, SD for Tower w/ 98" Int. Housing and High Wing Endcaps



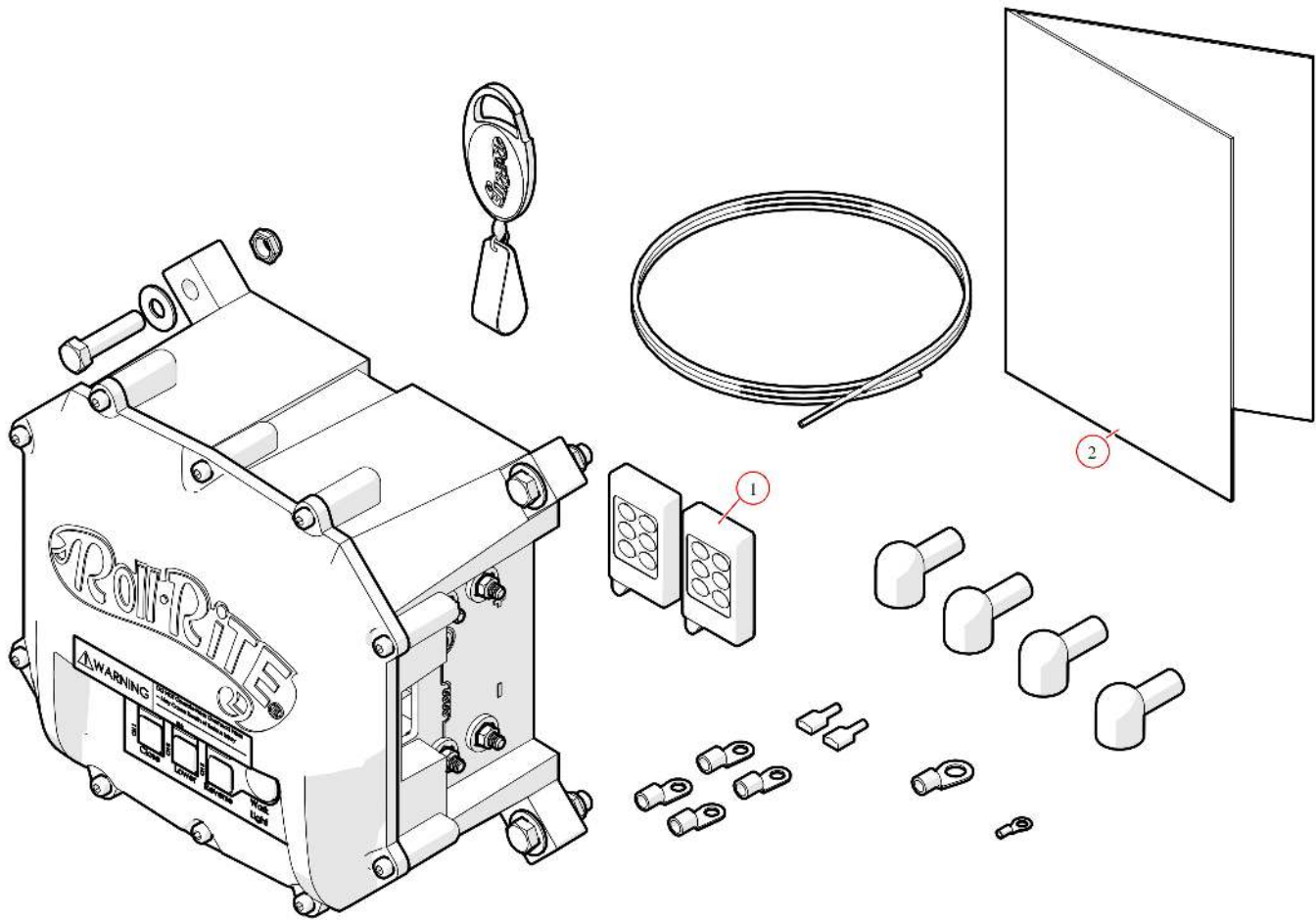
Bom ID	Part#	Description	qty
1	10122	Super Duty Motor 12V. 5 Year Warranty :S/N:	1
2	36167	Housing. Spool 98" Aluminum Integrated Housing w/ Extended Endc...	1
3	31030	Axle. 97" Pre-Threaded Tarp Axle w/Stub Shaft	1
5	17918	Breaker. 35A Outdoor Manual Reset Circuit Breaker	1
6	31050	Bearing. 3/4" Flanged Axle Bearing with bolts	1

36167 Housing, Spool 98" Aluminum Integrated Housing w/ Extended Endcaps



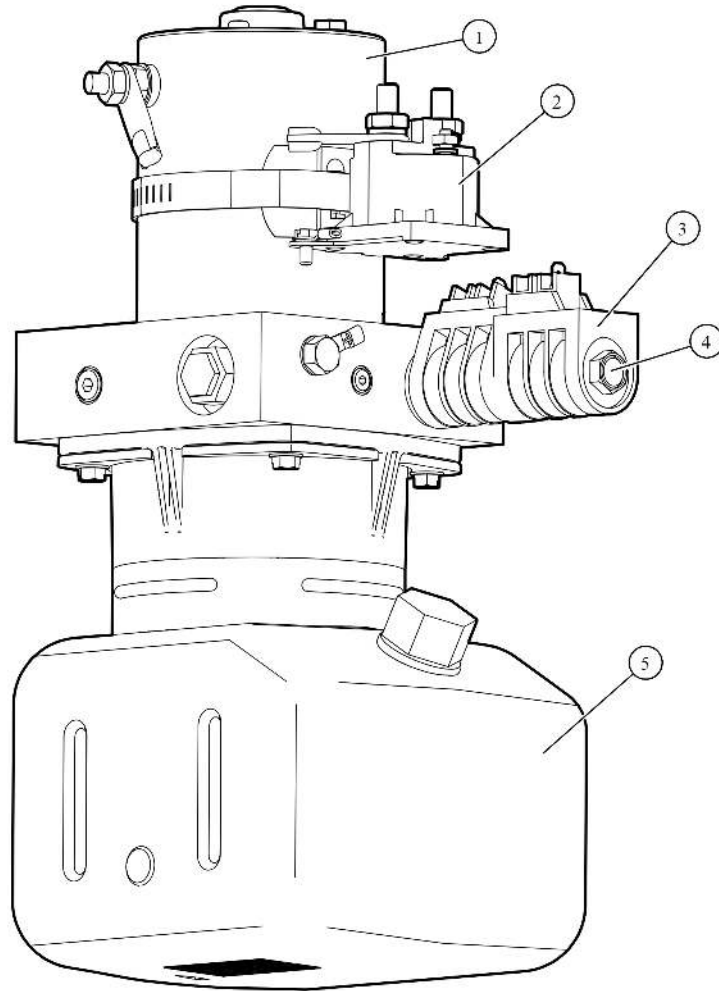
Bom ID	Part#	Description	qty
1	18120	Bolt. 3/8" x 1-1/2" Thread Cutting Screw Hex Washer Hd	6
2	36352	Bracket. Tarp Spool High Wing with bumper (Driver Side)	1
3	18245	Bolt. T-Bolt 1/2-13NCx1.75 for GAB	6
4	36353	Bracket. Tarp Spool High Wing with bumper (Pass Side)	1

19865 Control Box, wireless Black Control Box for Waste, 12 V



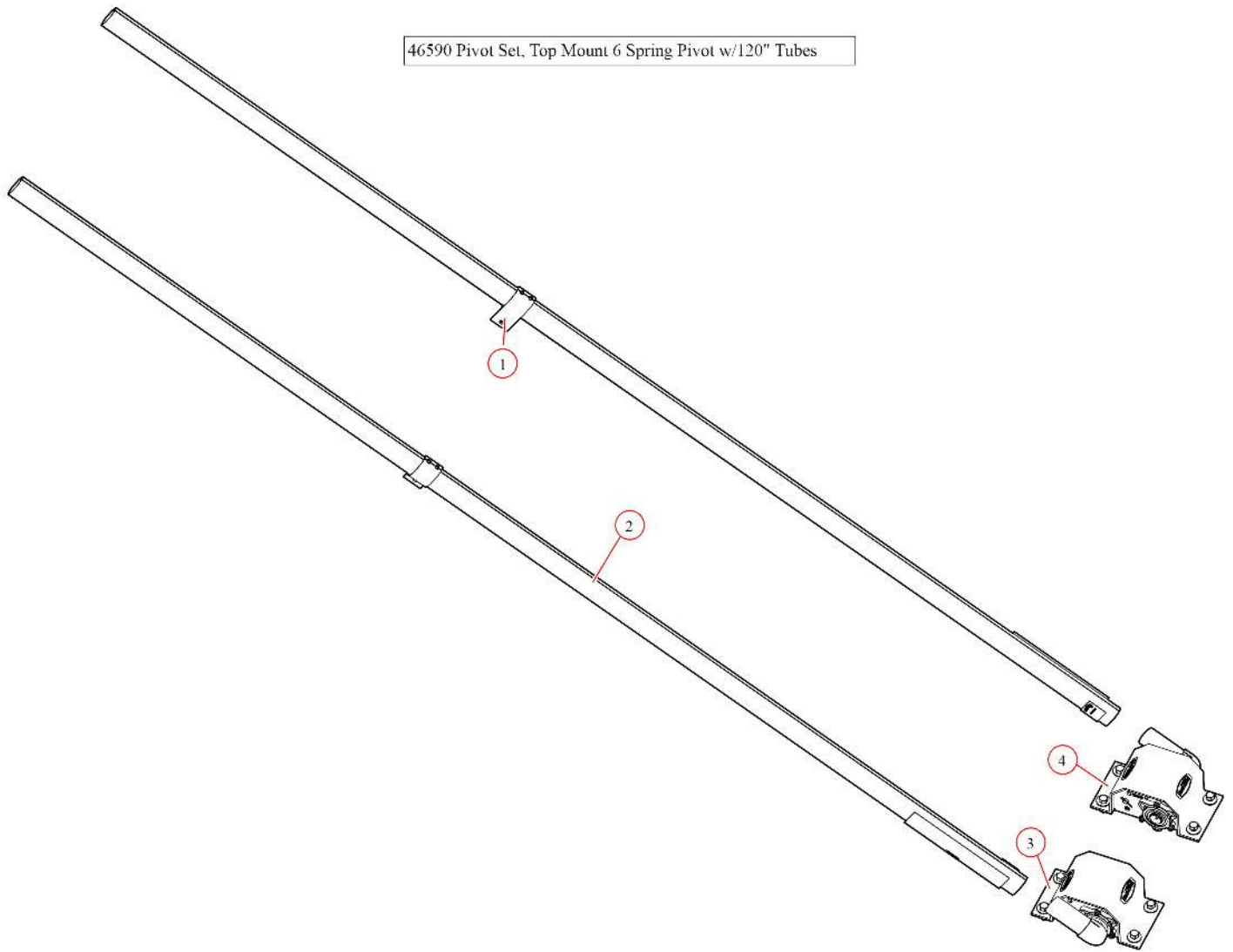
Bom ID	Part#	Description	qty
1	19801	RF Transmitter/FOB. 433MHz. Gen1 Motor Relay	2

39612 Pump Assembly, 12V Hydraulic Pump w/Manifold & 1 Valve & Compact Tank



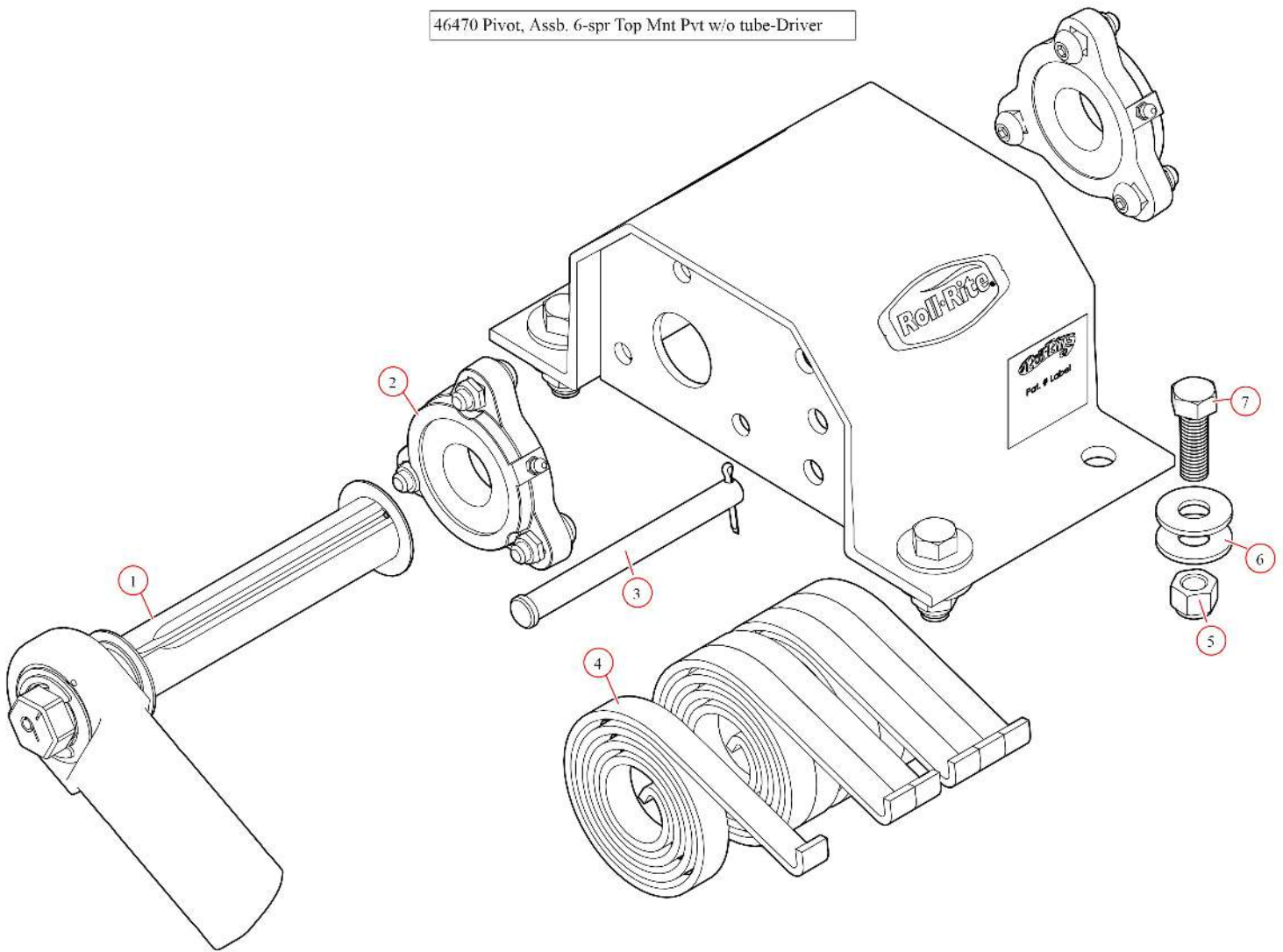
Bom ID	Part#	Description	qty
1	102832	Motor. Replacement Motor for Hydraulic Pump 12 V (39612 & 39712...	1
2	102079	Solenoid. 12VDC Start Switch for Power Unit (39612 & 39712) MTE...	1
3	102078	Coil. 12VDC for Power Unit (39612 & 39712) MTE39002301	2
4	102080	Valve. 3P4W Tandem Center Directional Power Unit (39612)MTE38...	1
5	102073	Cap Kit (Cap and Rubber Grommet)	1
6	102074	Tank Kit. 1 Gallon MTE	1

46590 Pivot Set, Top Mount 6 Spring Pivot w/120" Tubes



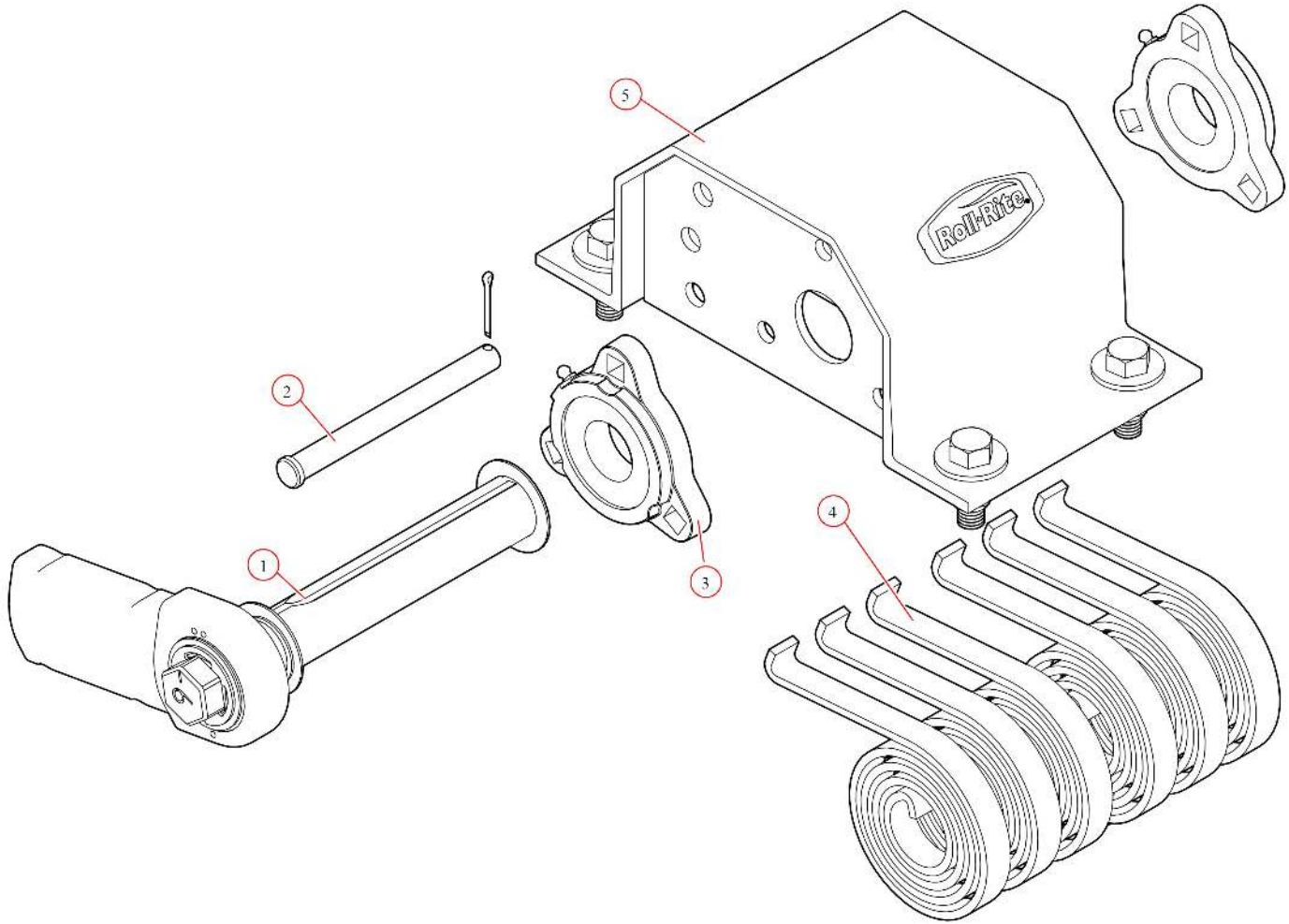
Bom ID	Part#	Description	qty
1	76831	Bracket. Pivot Arm Tie Down	2
2	46220	Pivot Tube. 120" w/Set Screws (each)	2
3	46480	Pivot Assembly. 6 Spring Top Mount Pivot w/out Tube - Passenger ...	1
4	46470	Pivot Assembly. 6 Spring Top Mount Pvt w/out Tube - Drivers Side	1

46470 Pivot, Assb. 6-spr Top Mnt Pvt w/o tube-Driver



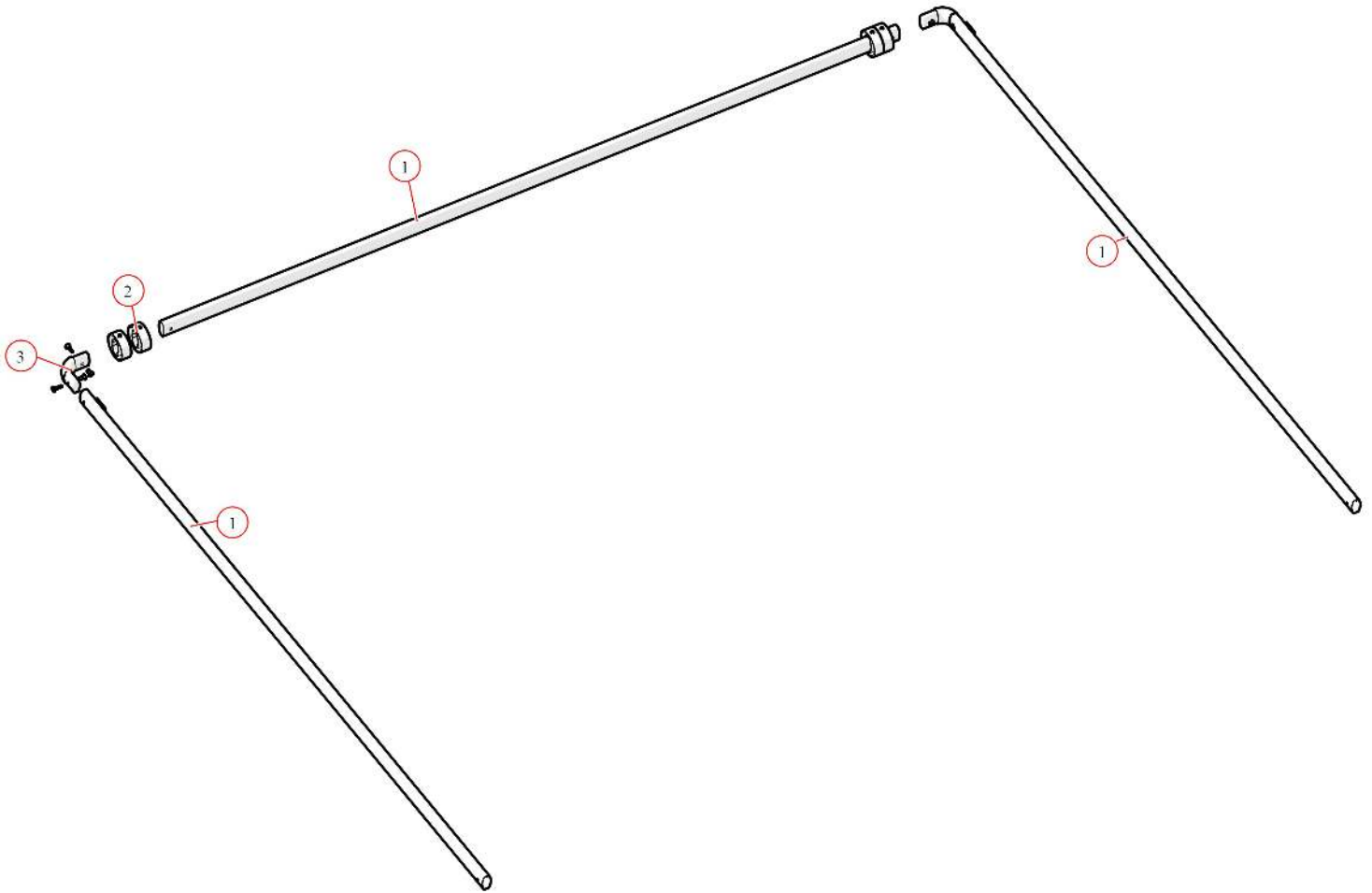
Bom ID	Part#	Description	qty
1	46360	Pivot Pin. for 5 & 6 Spring Roller Bearing - Drivers Side	1
2	47800	Bearing. Carrier Underbody Flanged	2
3	18540	Pin. 1/2" x 5-1/4" Clevis	1
4	47230	Spring. Spiral Torsion Spring 1 1/4"	6

46480 Pivot, Assb. 6-spr Top mnt pvt w/o Tube-Pass



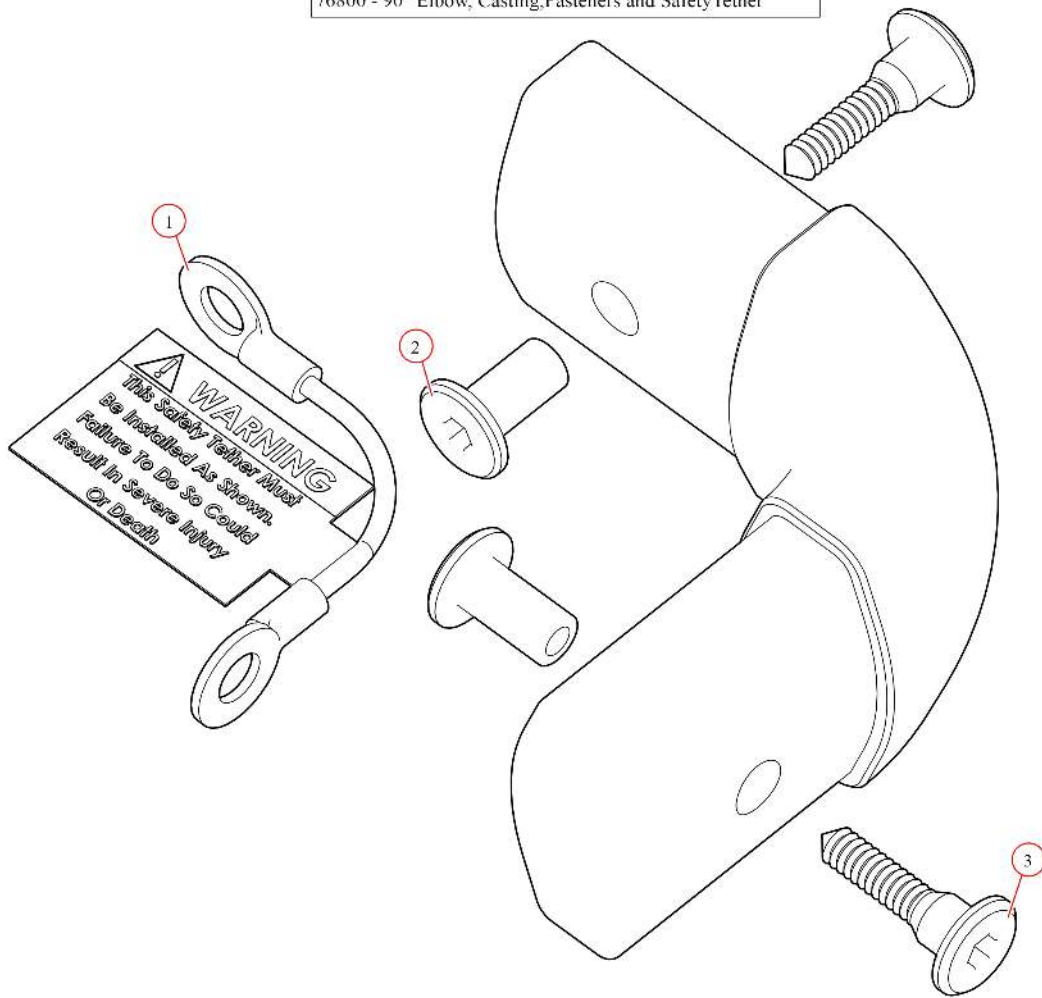
Bom ID	Part#	Description	qty
1	46370	Pivot Pin. for 5 & 6-Spring Roller Bearing - Passenger	1
2	18540	Pin. 1/2" x 5-1/4" Clevis	1
3	47800	Bearing. Carrier Underbody Flanged	2
4	47230	Spring. Spiral Torsion Spring 1 1/4"	6
5	46400	Bracket. for 6-Spring Top Mount Pivots-each	1

76720 Bow Set, 103 1/2" Wide Top Tube w/ 98" Bow Arms



Bom ID	Part#	Description	qty
1	76870	Bow Tube. 103 1/2" AL Wide Top Tube for Tarp Bow	3
2	76810	Tarp Flange for Bow Tube (Pair)	2
3	76800	Casting. Aluminum Corner - 90 Degree With Fasteners and Tether	2

76800 - 90° Elbow, Casting, Fasteners and Safety Tether



Bom ID	Part#	Description	qty
1	103533	Tether. Cable with Install Label for 90 degree corner	1
2	18719	Nut. 1/4-20 Cap Conn Nut Clear Zinc - Post bolt for 90 degree corne...	2
3	18718	Bolt. 1/4-20 x 1 3/16 Bolt Clear Zinc - Post bolt for 90 degree corners	2