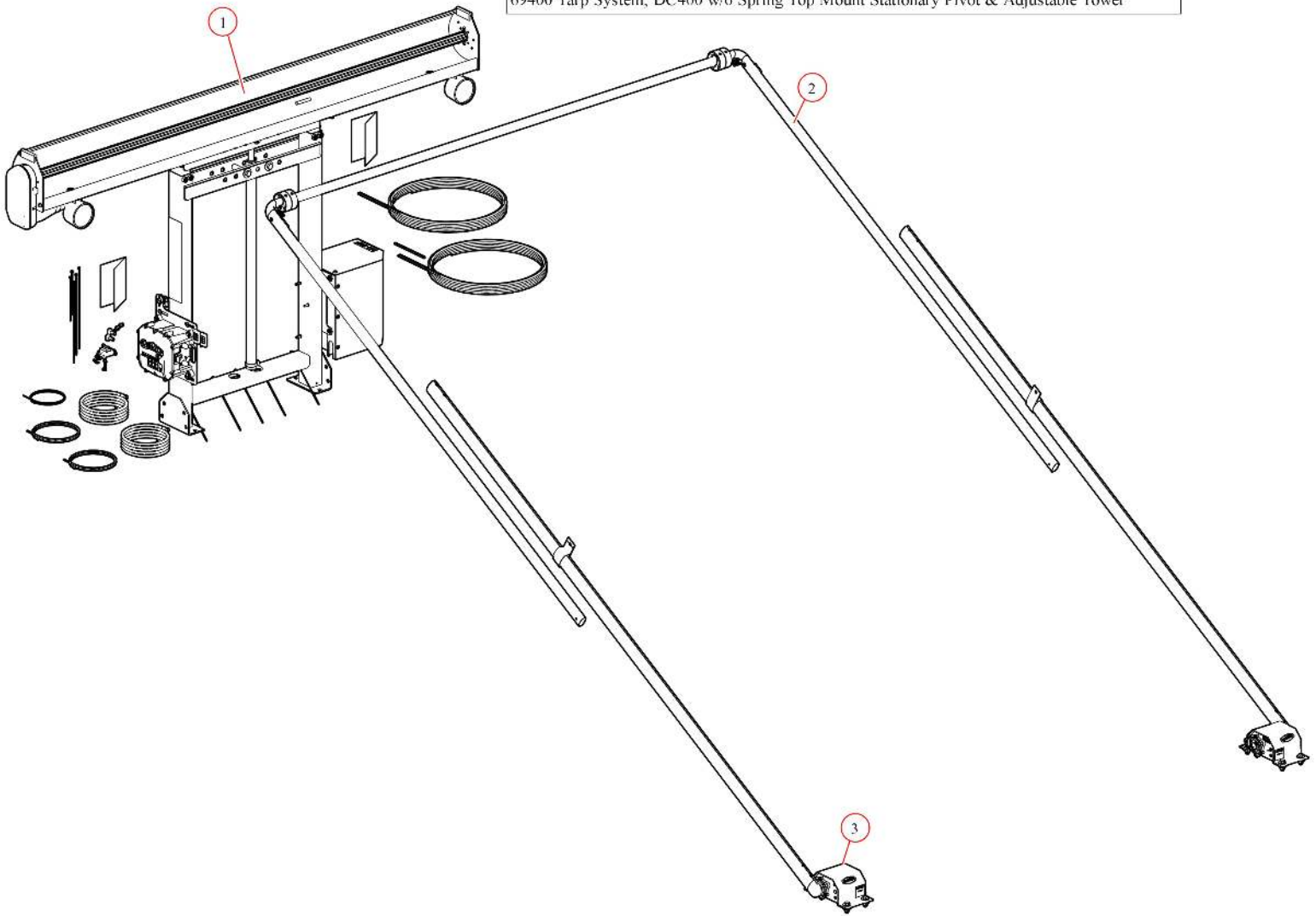




DC400. SD Adjustable Tower. 6 Spring Top Mount Pivot. Wide
Bow Set

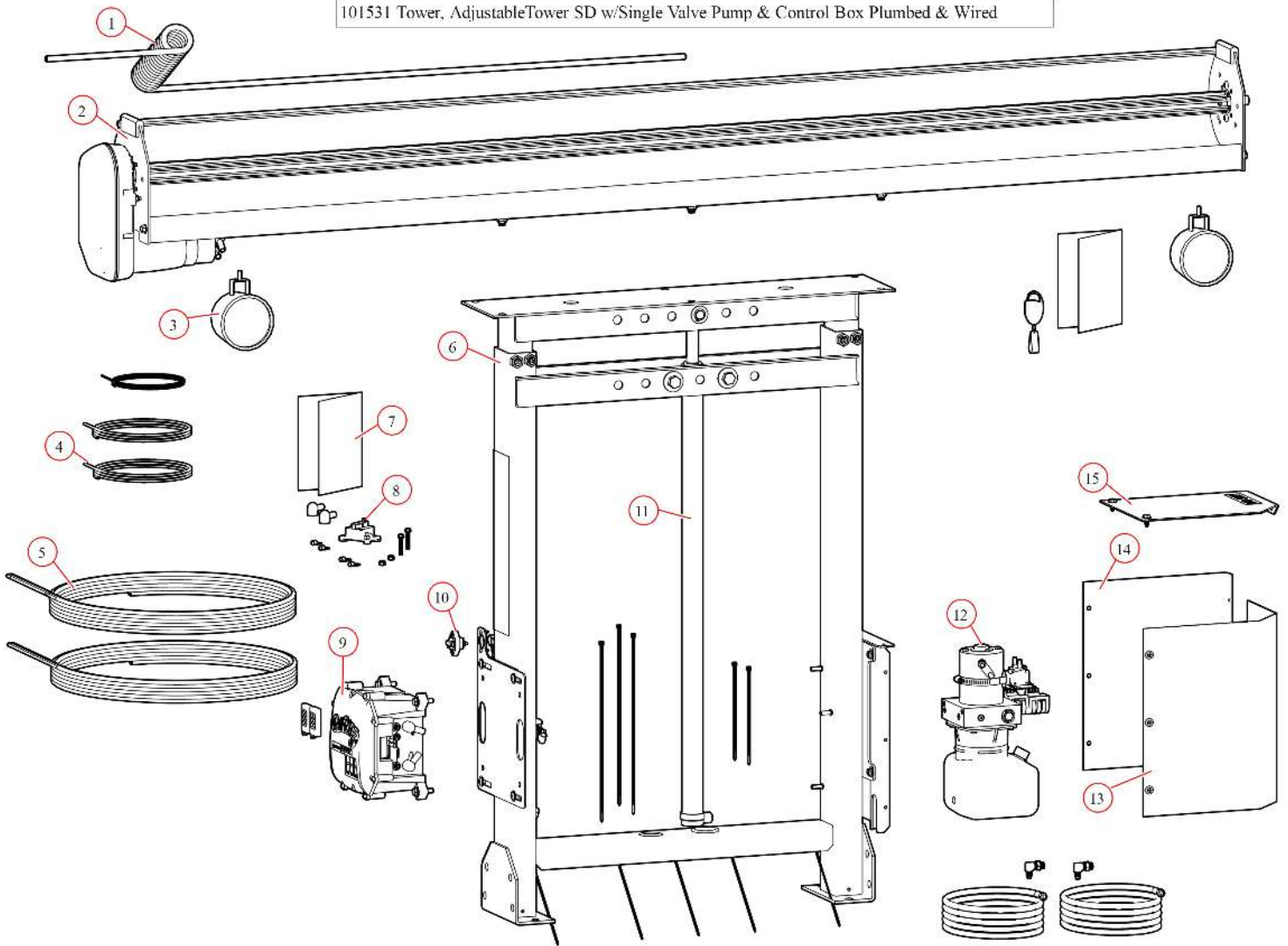
Part Number: 69400

69400 Tarp System, DC400 w/6 Spring Top Mount Stationary Pivot & Adjustable Tower



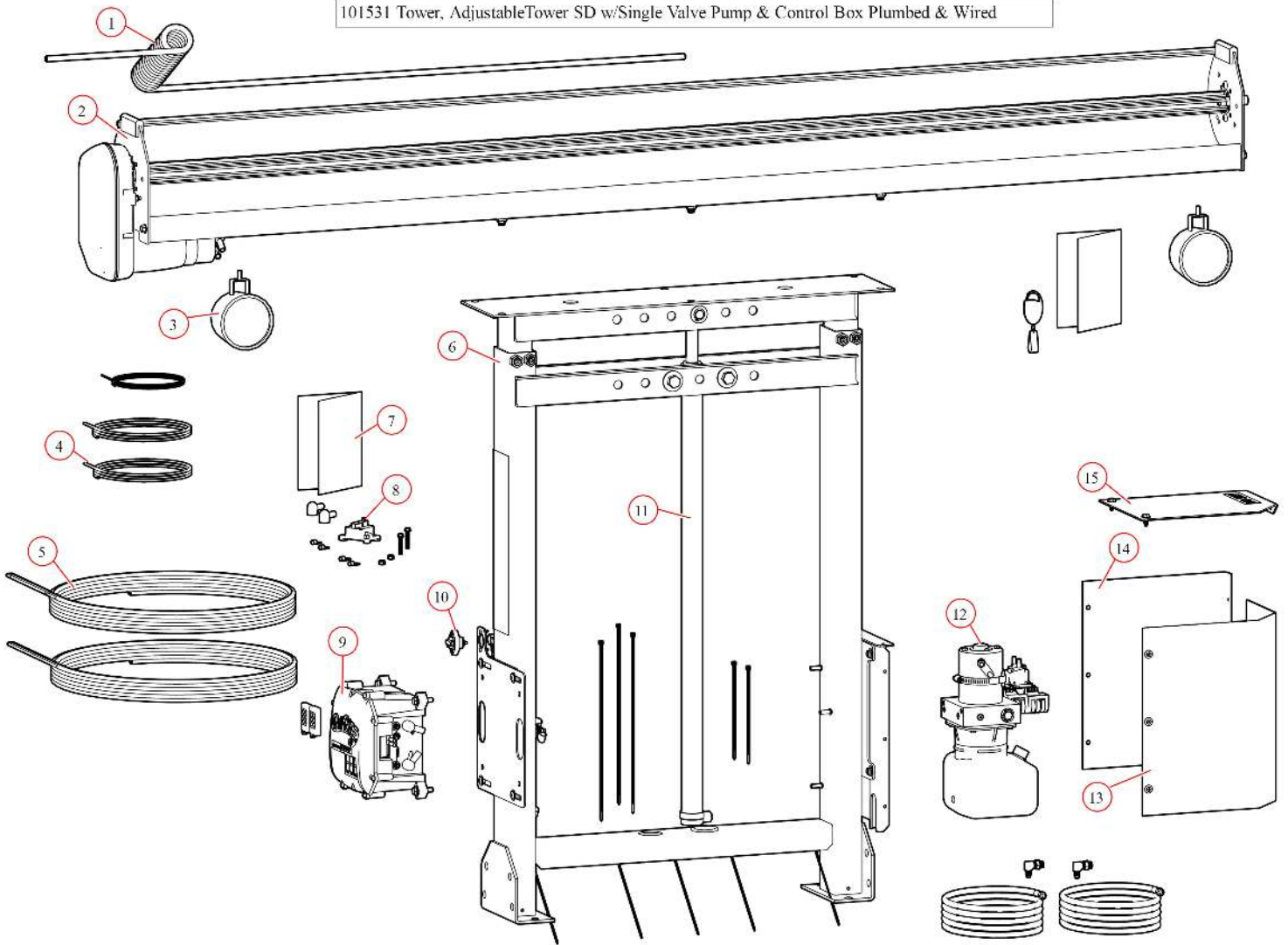
Bom ID	Part#	Description	qty
1	101531	Tower Assembly. 12v SDX Single Stage w/Single Valve Pump & Co...	1
2	76720	Bow Set. 103 1/2" Wide Top Tube and 103 1/2" Side Arms	1
3	46590	Pivot Set. Top Mount 6 Spring Pivot w/120" Tubes (B1-46591/B2-46...	1

101531 Tower, Adjustable Tower SD w/Single Valve Pump & Control Box Plumbed & Wired



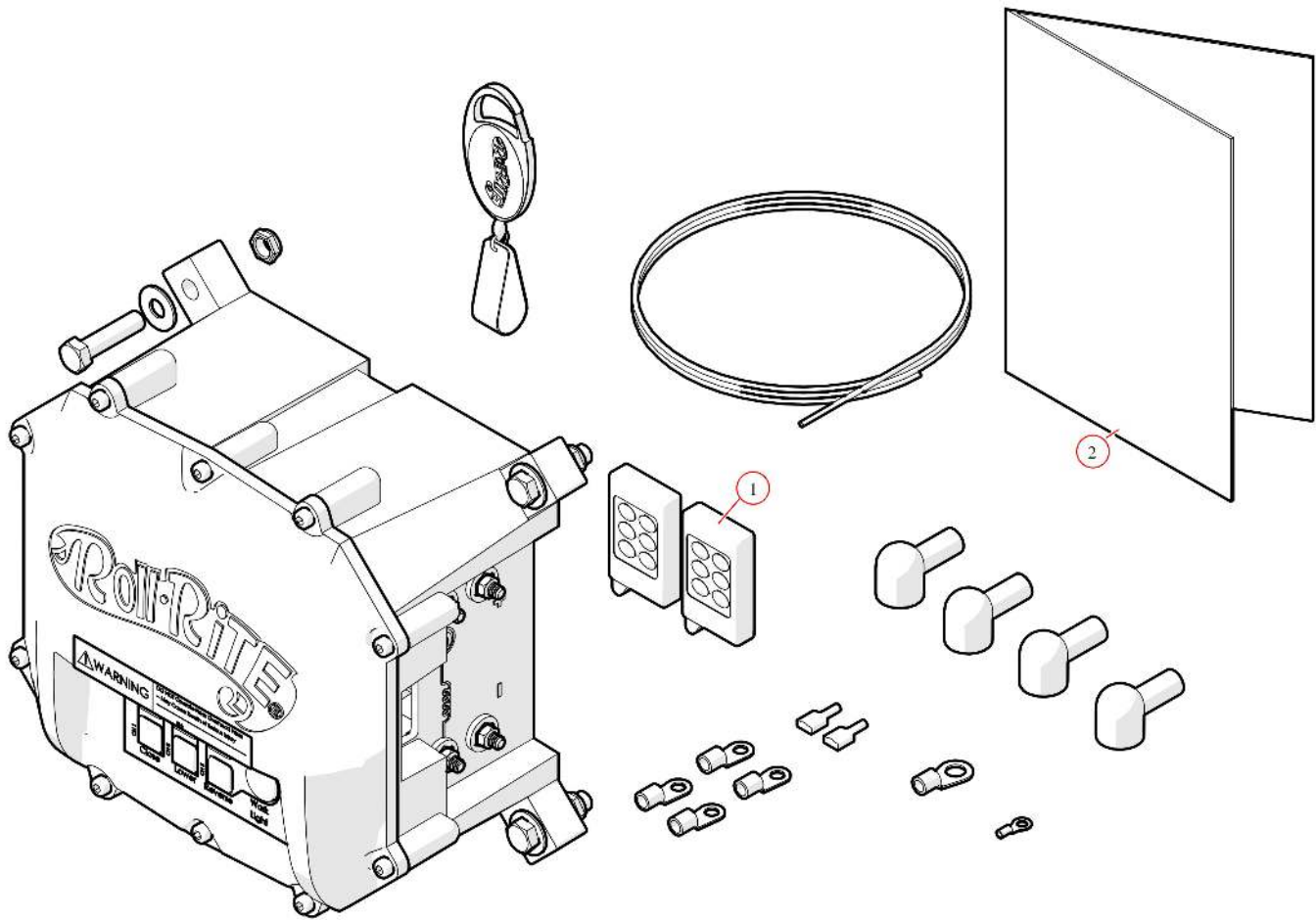
Bom ID	Part#	Description	qty
1	11328	Wire. 2 Stage Tower Coil 110" - Assembled	1
2	36479	Spool Kit. Super Duty Tarp Spool w/98" Integrated Housing	1
3	104103	Light. Work Light LED 12V	2
4	11345	Wire. 16 ga. 2-Conductor (per foot)	2
5	11330	Wire. 6 Ga. Dual Conductor - (per foot)	2
6	39004	Tower. Stationary Tower for Integrated Housing	1
8	17913	Breaker. 100 amp Manual Reset Breaker Kit for 24V & 12V Integrate...	1
9	19865	Control Box. Wireless Black Control Box - 12/24V Waste	1
10	17918	Breaker. 35A Outdoor Manual Reset Circuit Breaker	1
11	39520	Cylinder. 1.5" Bore x 36" Stroke DA. Single Flange Mount	1
12	39612	Hydraulic Power Unit. 12V. 1 Valve	1
13	39615	PUMP COVER. POLY SIDE COVER FOR VERT MOUNT PUMP	1
14	10794	Bracket. Pump Mount Cover Steel 1/8x16x13 7/8"	1

101531 Tower, Adjustable Tower SD w/Single Valve Pump & Control Box Plumbed & Wired



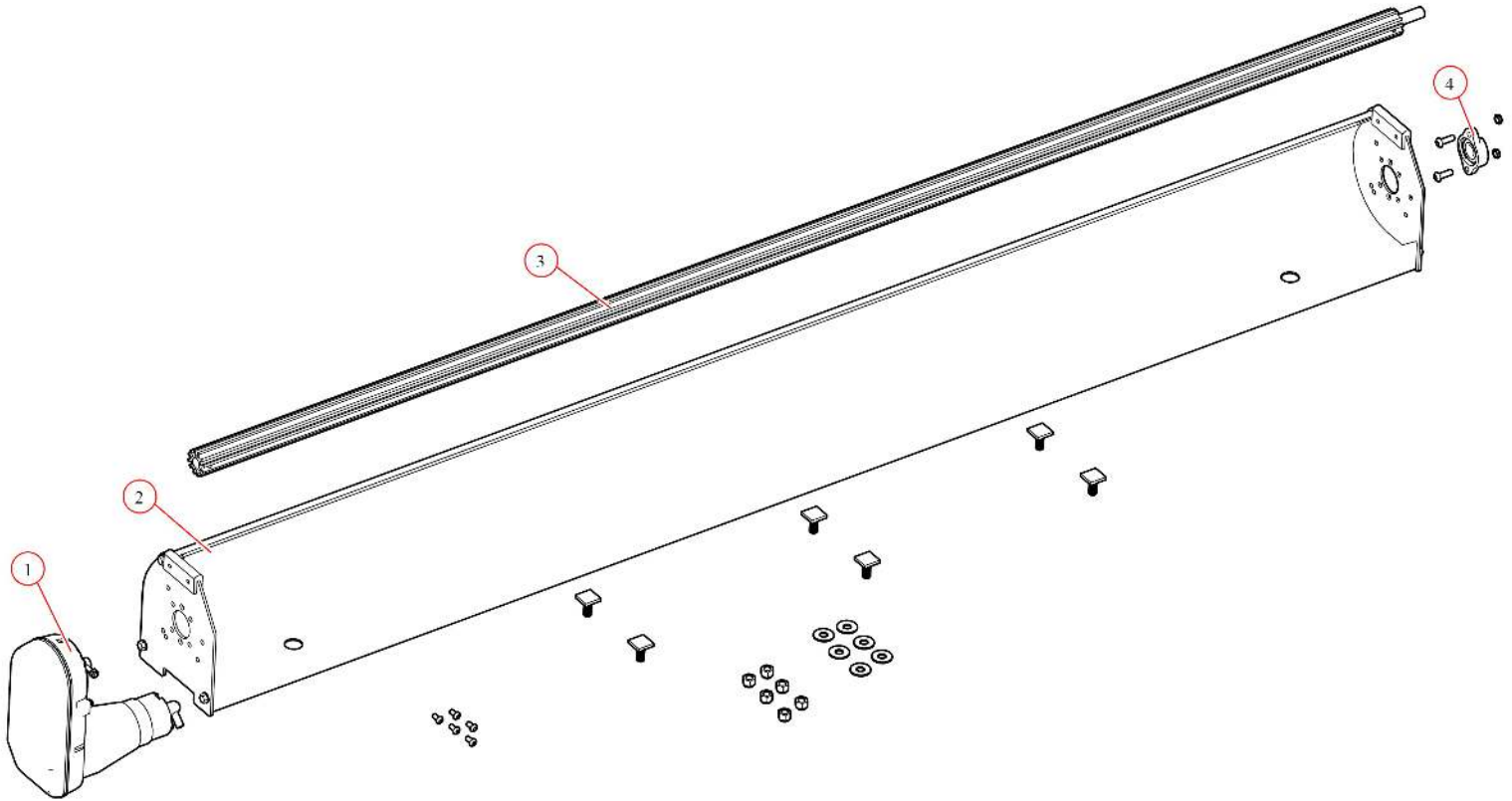
Bom ID	Part#	Description	qty
15	10778	Bracket. Steel Vert Pump Mount Cover	1

19865 Control Box, wireless Black Control Box for Waste, 12 V



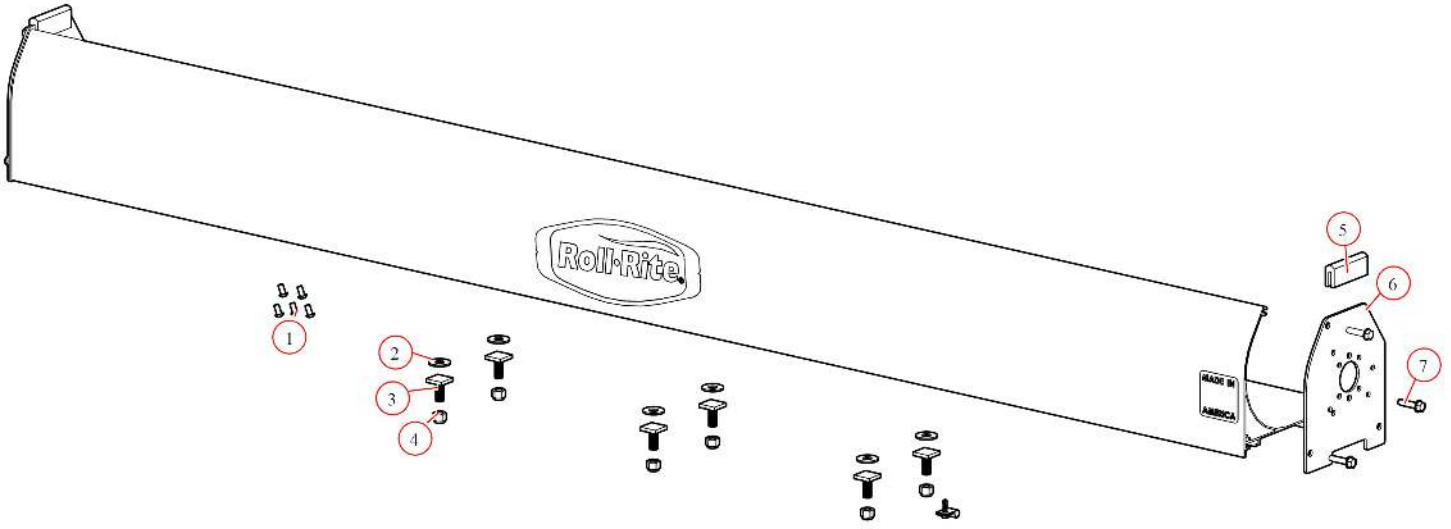
Bom ID	Part#	Description	qty
1	19801	RF Transmitter/FOB. 433MHz. Gen1 Motor Relay	2

36479 Spool Kit, Super Duty Tarp Spool w/98" Integrated Housing S/N: SDX



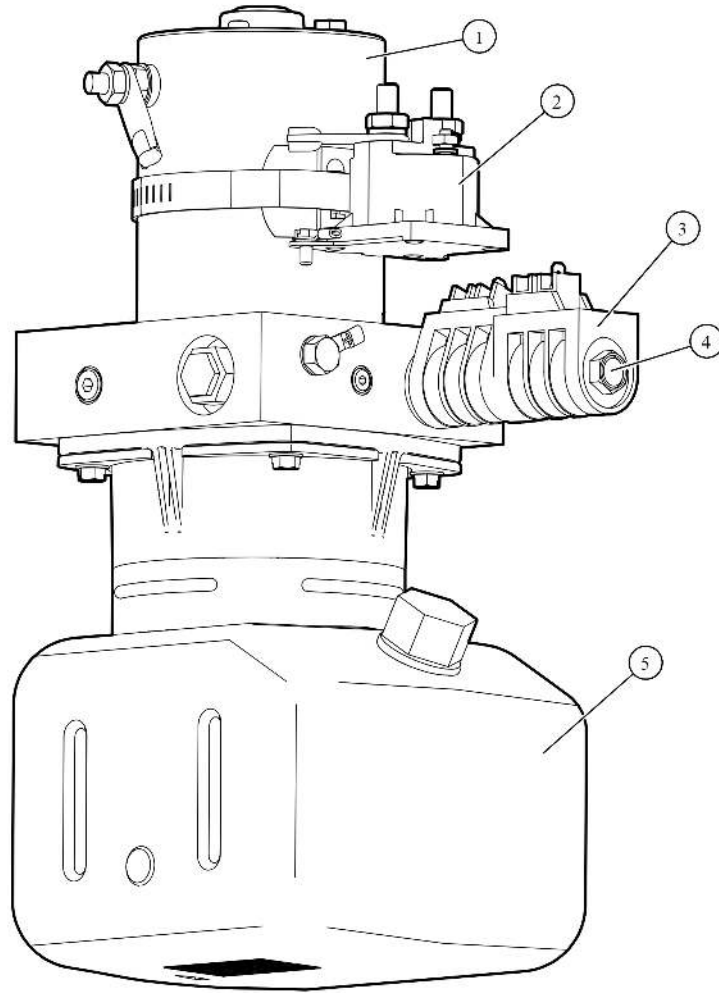
Bom ID	Part#	Description	qty
1	10122	Super Duty Motor 12V. 5 Year Warranty :S/N:	1
2	36164	Housing. Spool 98" Aluminum Integrated Housing	1
3	31030	Axle. 97" Pre-Threaded Tarp Axle w/Stub Shaft	1
4	31050	Bearing. 3/4" Flanged Axle Bearing with bolts	1

36164 Housing, Spool 98" Aluminum Integrated Housing



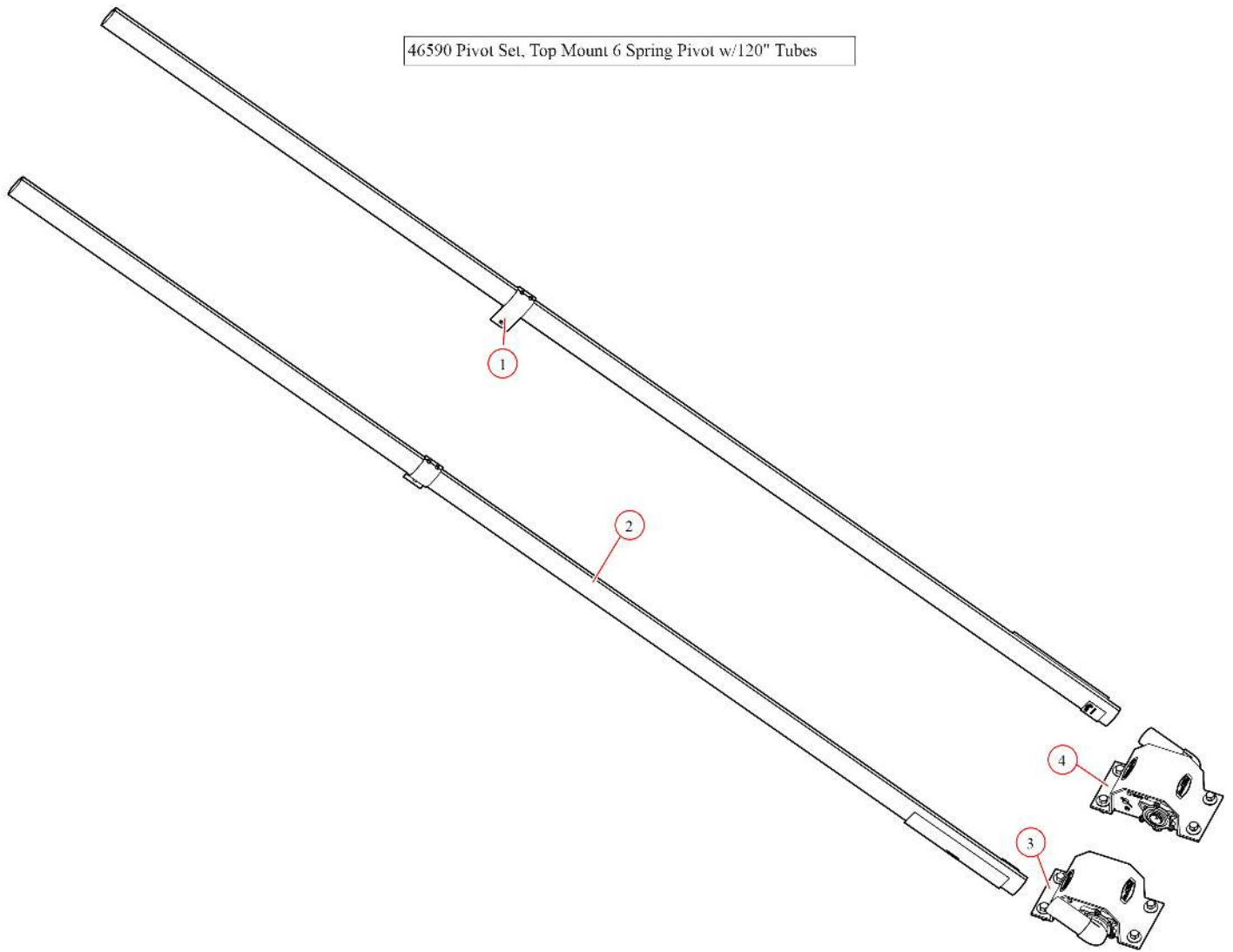
Bom ID	Part#	Description	qty
3	18245	Bolt. T-Bolt 1/2-13NCx1.75 for GAB	6
5	36300	Bumper. Rubber Bumper for Tarp Spool (each)	2
6	36331	Bracket. Int Housing Aluminum Endcaps - Drivers Side	2
7	18120	Bolt. 3/8" x 1-1/2" Thread Cutting Screw Hex Washer Hd	6

39612 Pump Assembly, 12V Hydraulic Pump w/Manifold & 1 Valve & Compact Tank



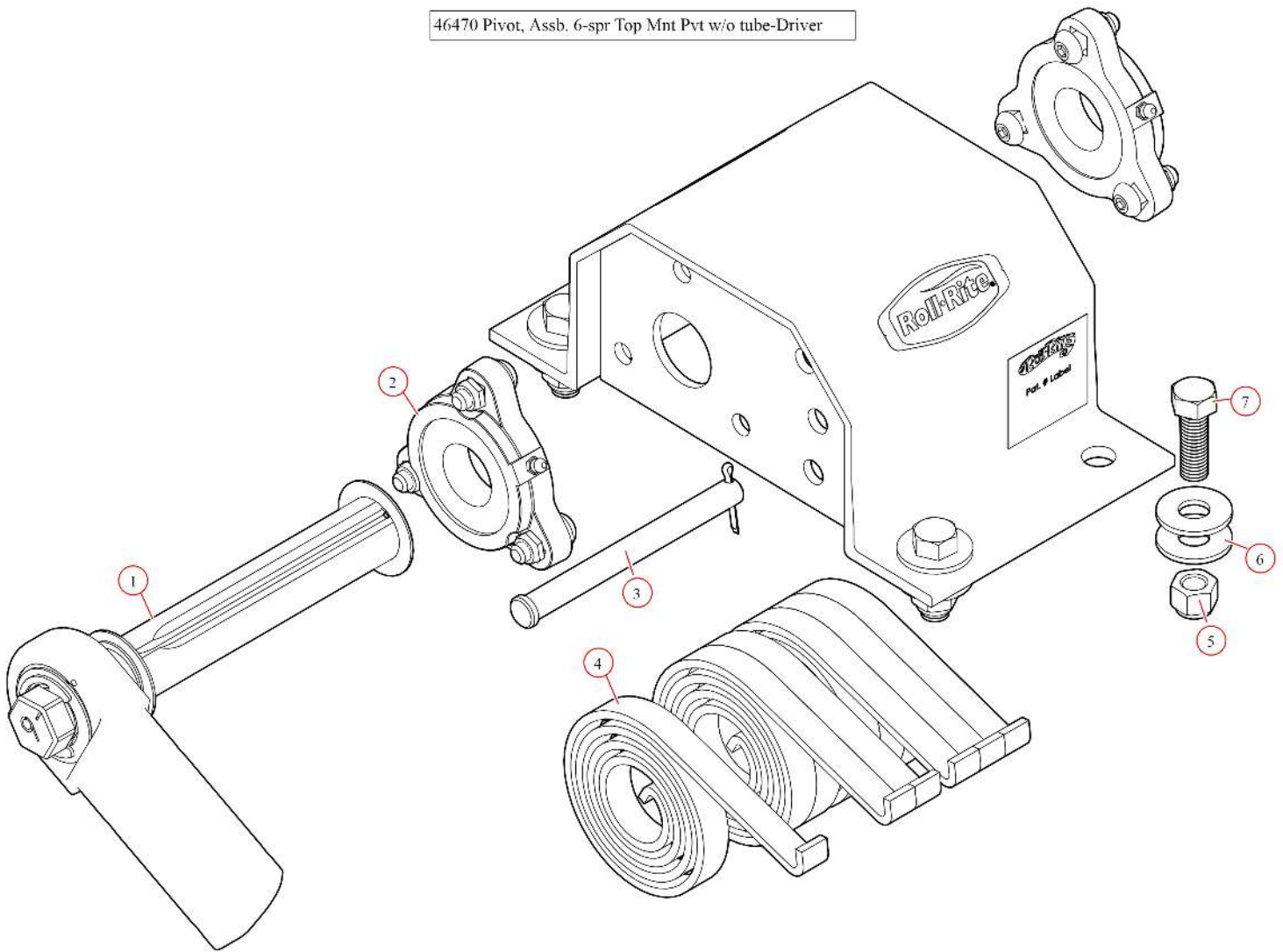
Bom ID	Part#	Description	qty
1	102832	Motor. Replacement Motor for Hydraulic Pump 12 V (39612 & 39712...	1
2	102079	Solenoid. 12VDC Start Switch for Power Unit (39612 & 39712) MTE...	1
3	102078	Coil. 12VDC for Power Unit (39612 & 39712) MTE39002301	2
4	102080	Valve. 3P4W Tandem Center Directional Power Unit (39612)MTE38...	1
5	102073	Cap Kit (Cap and Rubber Grommet)	1
6	102074	Tank Kit. 1 Gallon MTE	1

46590 Pivot Set, Top Mount 6 Spring Pivot w/120" Tubes



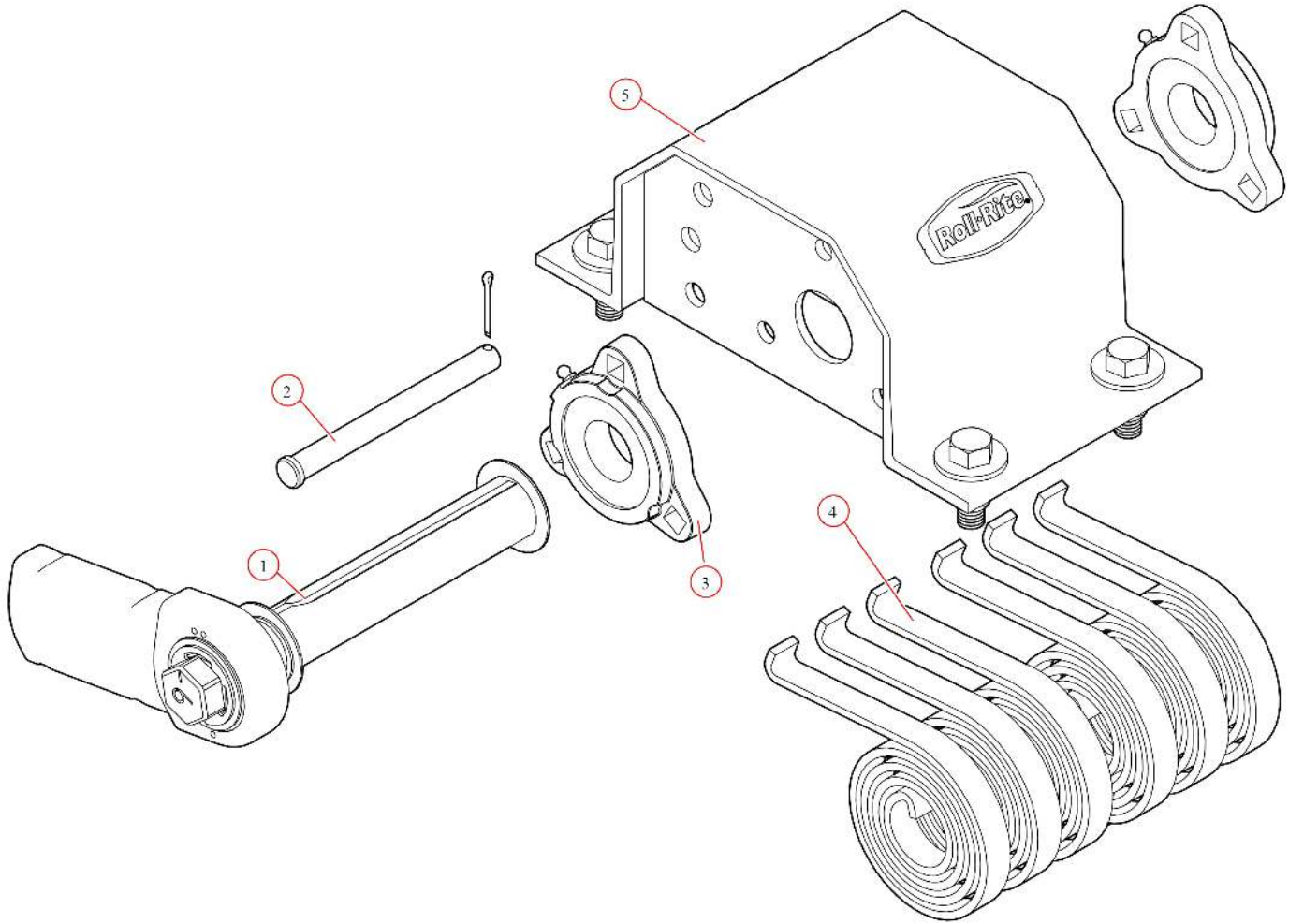
Bom ID	Part#	Description	qty
1	76831	Bracket. Pivot Arm Tie Down	2
2	46220	Pivot Tube. 120" w/Set Screws (each)	2
3	46480	Pivot Assembly. 6 Spring Top Mount Pivot w/out Tube - Passenger ...	1
4	46470	Pivot Assembly. 6 Spring Top Mount Pvt w/out Tube - Drivers Side	1

46470 Pivot, Assb. 6-spr Top Mnt Pvt w/o tube-Driver



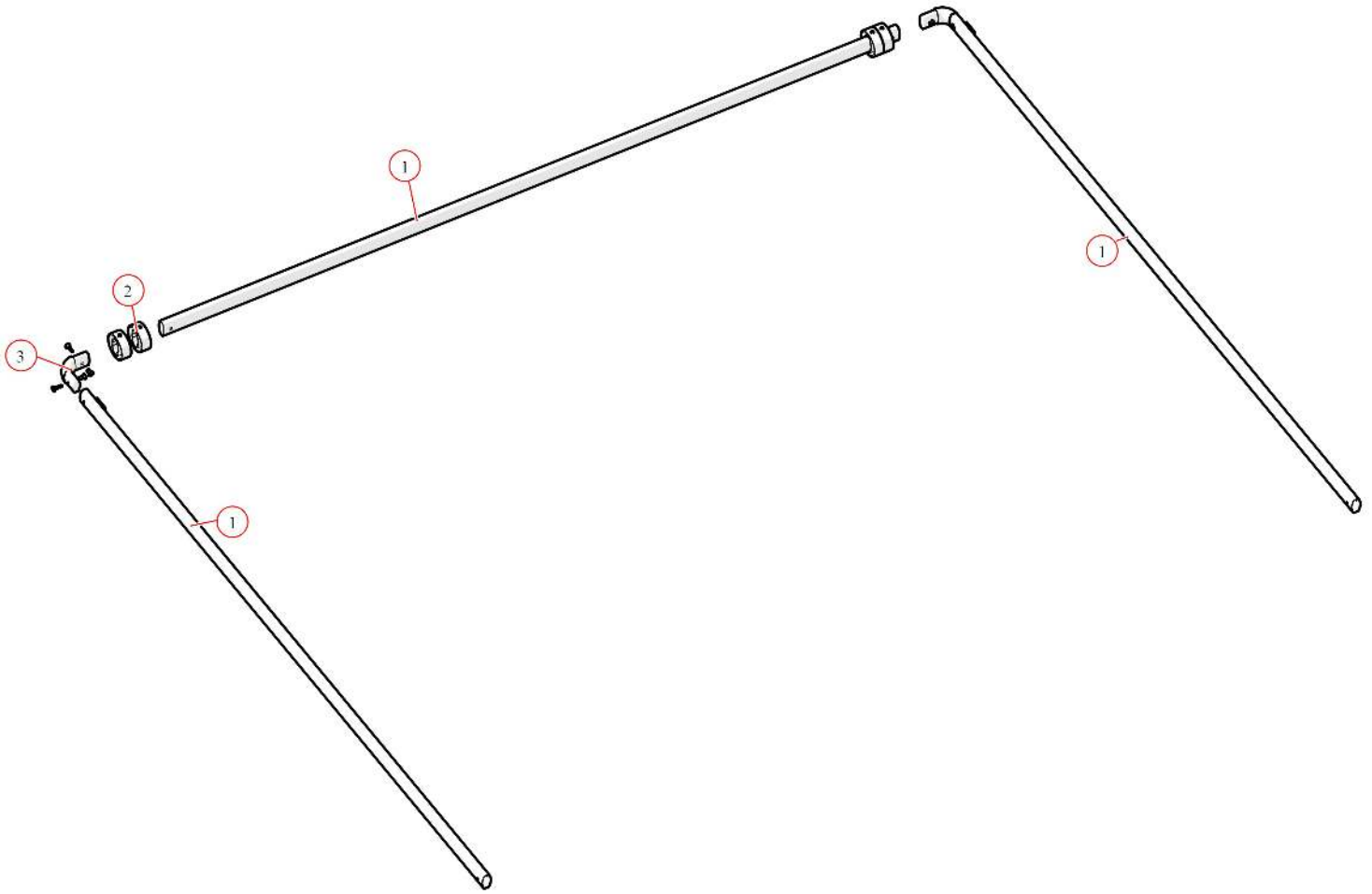
Bom ID	Part#	Description	qty
1	46360	Pivot Pin. for 5 & 6 Spring Roller Bearing - Drivers Side	1
2	47800	Bearing. Carrier Underbody Flanged	2
3	18540	Pin. 1/2" x 5-1/4" Clevis	1
4	47230	Spring. Spiral Torsion Spring 1 1/4"	6

46480 Pivot, Assb. 6-spr Top mnt pvt w/o Tube-Pass



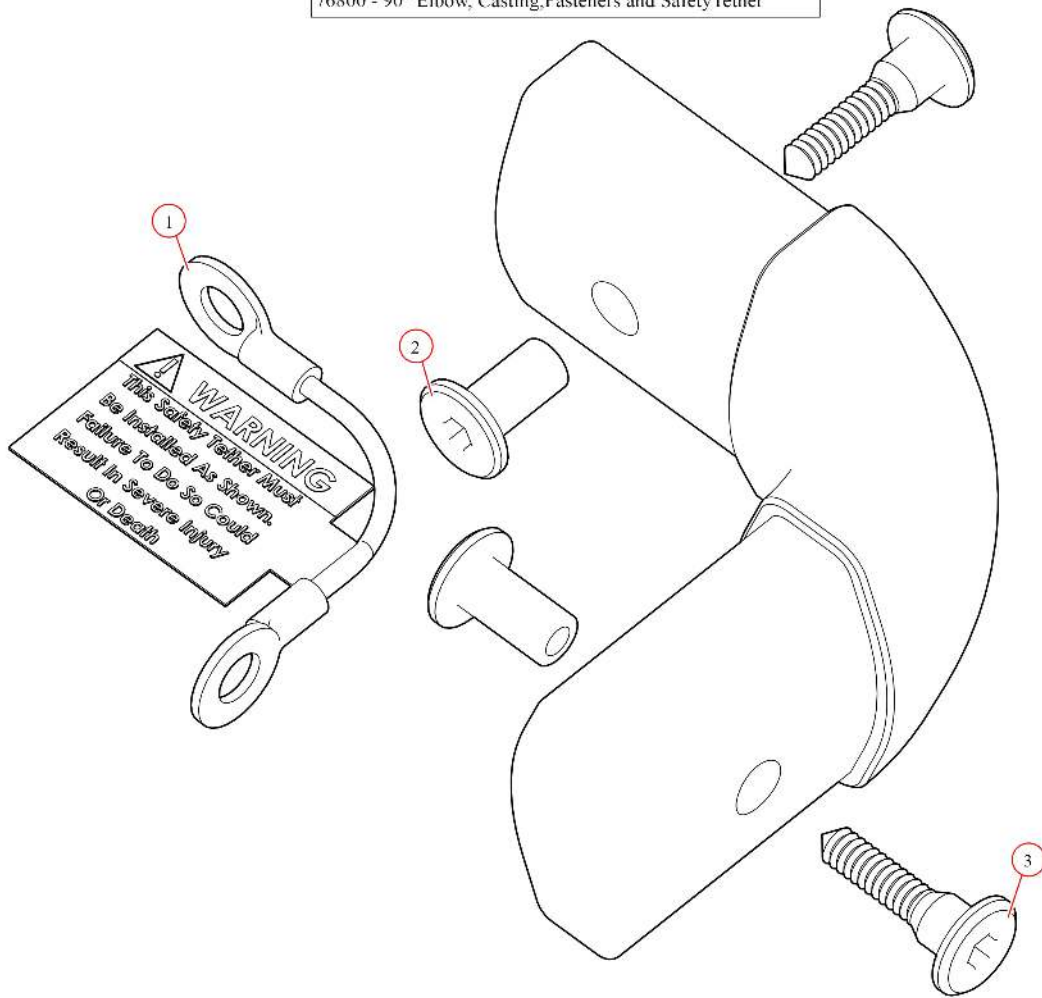
Bom ID	Part#	Description	qty
1	46370	Pivot Pin. for 5 & 6-Spring Roller Bearing - Passenger	1
2	18540	Pin. 1/2" x 5-1/4" Clevis	1
3	47800	Bearing. Carrier Underbody Flanged	2
4	47230	Spring. Spiral Torsion Spring 1 1/4"	6
5	46400	Bracket. for 6-Spring Top Mount Pivots-each	1

76720 Bow Set, 103 1/2" Wide Top Tube w/ 98" Bow Arms



Bom ID	Part#	Description	qty
1	76870	Bow Tube. 103 1/2" AL Wide Top Tube for Tarp Bow	3
2	76810	Tarp Flange for Bow Tube (Pair)	2
3	76800	Casting. Aluminum Corner - 90 Degree With Fasteners and Tether	2

76800 - 90° Elbow, Casting, Fasteners and Safety Tether



Bom ID	Part#	Description	qty
1	103533	Tether. Cable with Install Label for 90 degree corner	1
2	18719	Nut. 1/4-20 Cap Conn Nut Clear Zinc - Post bolt for 90 degree corne...	2
3	18718	Bolt. 1/4-20 x 1 3/16 Bolt Clear Zinc - Post bolt for 90 degree corners	2