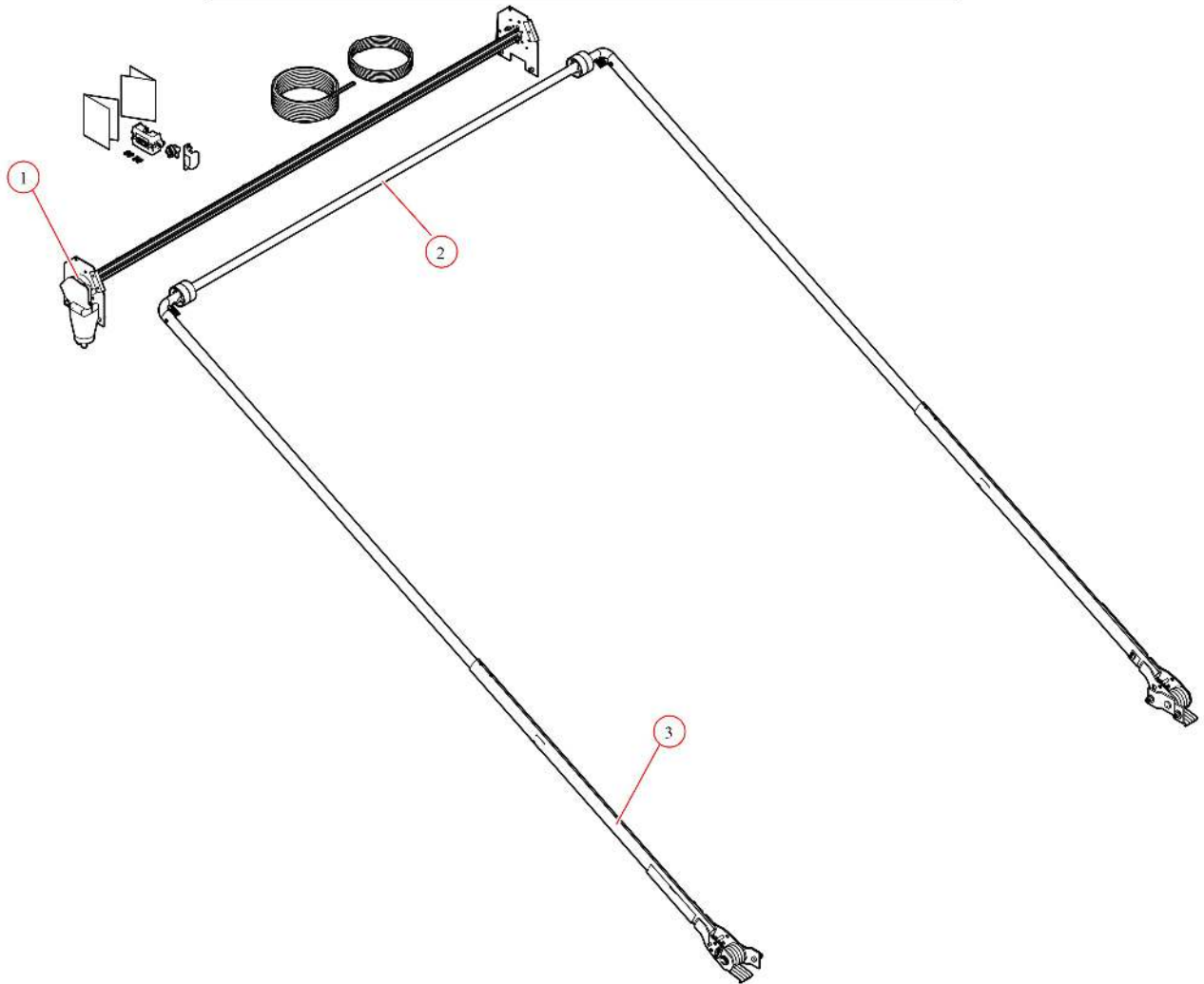




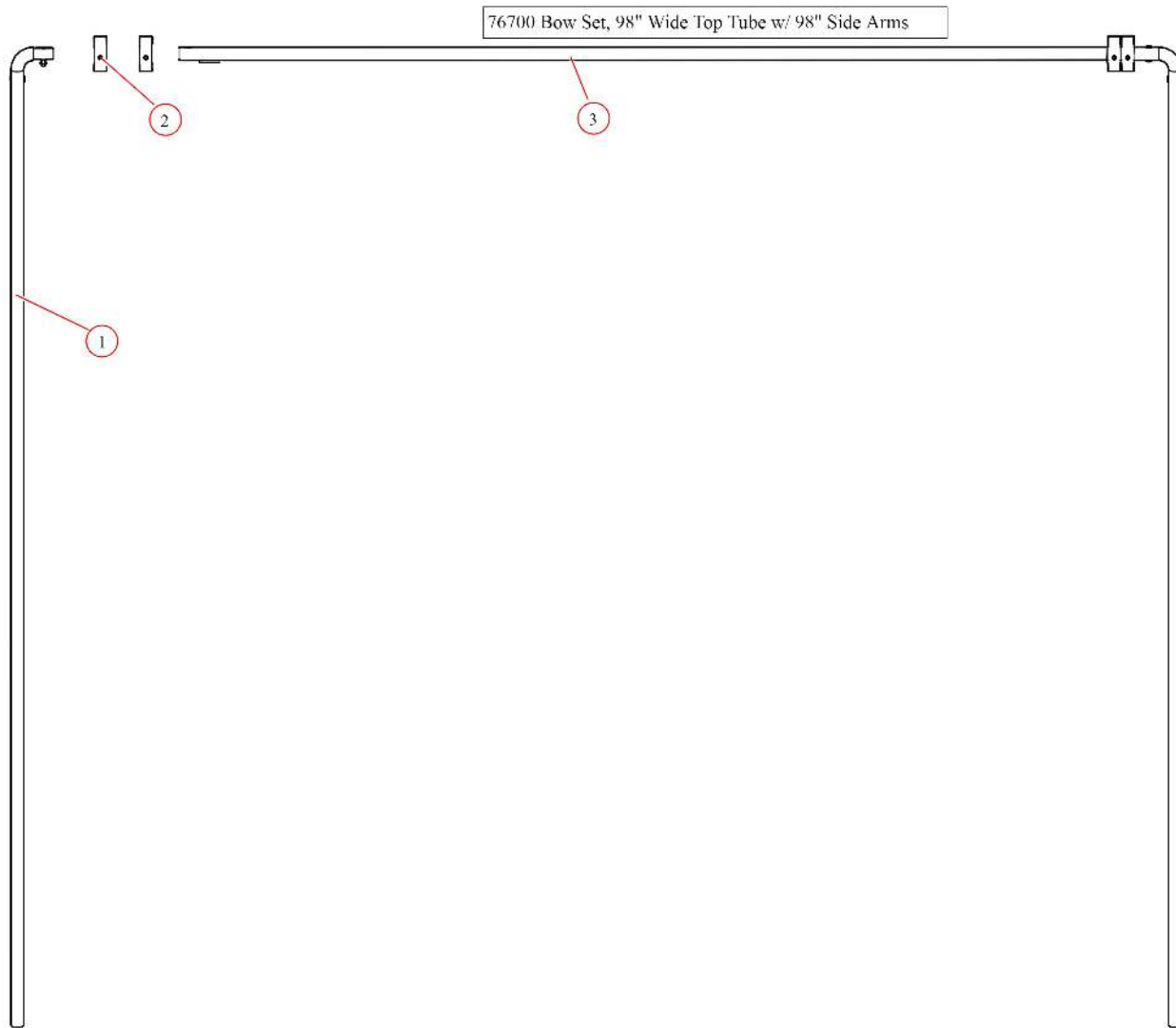
[TM400. 97" Axle Kit. 4 Spring 60" Ext Pivot. Bow Set](#)

Part Number: 64210

64210 Tarp System, TarpMaster 400 4 Spring External Pivot w/60" Pivot Tube S/N TM:

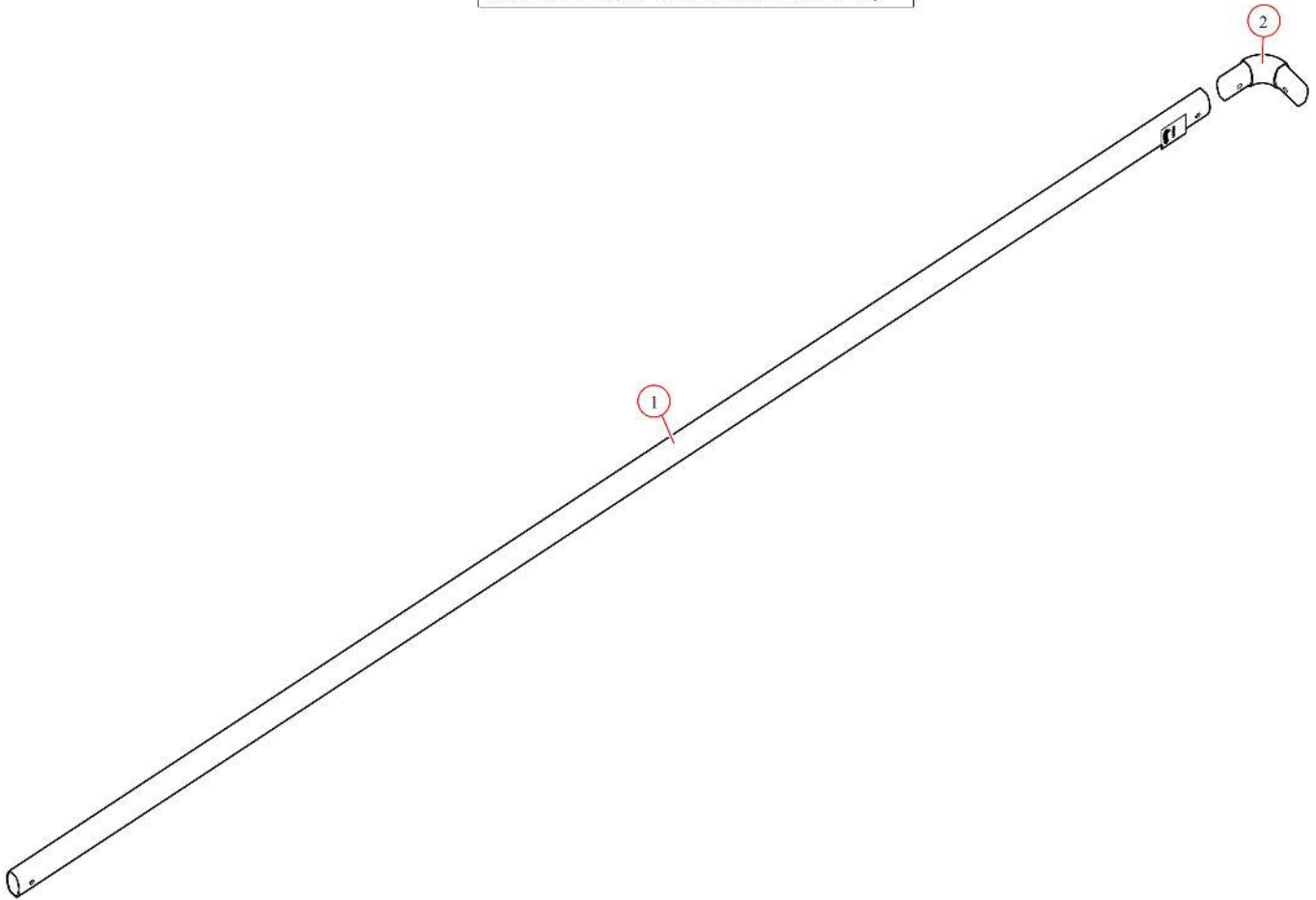


Bom ID	Part#	Description	qty
1	36370	Spool Kit. TarpMaster Tarp Spool w/97" Axle & Mounting Brackets - ...	1
2	76700	Bow Set. 98" Wide Top Tube w/ 98" Side Arms	1
3	46440-60	Pivot Set. 4 Spring w/ 60" Aluminum Pivot Tube	1



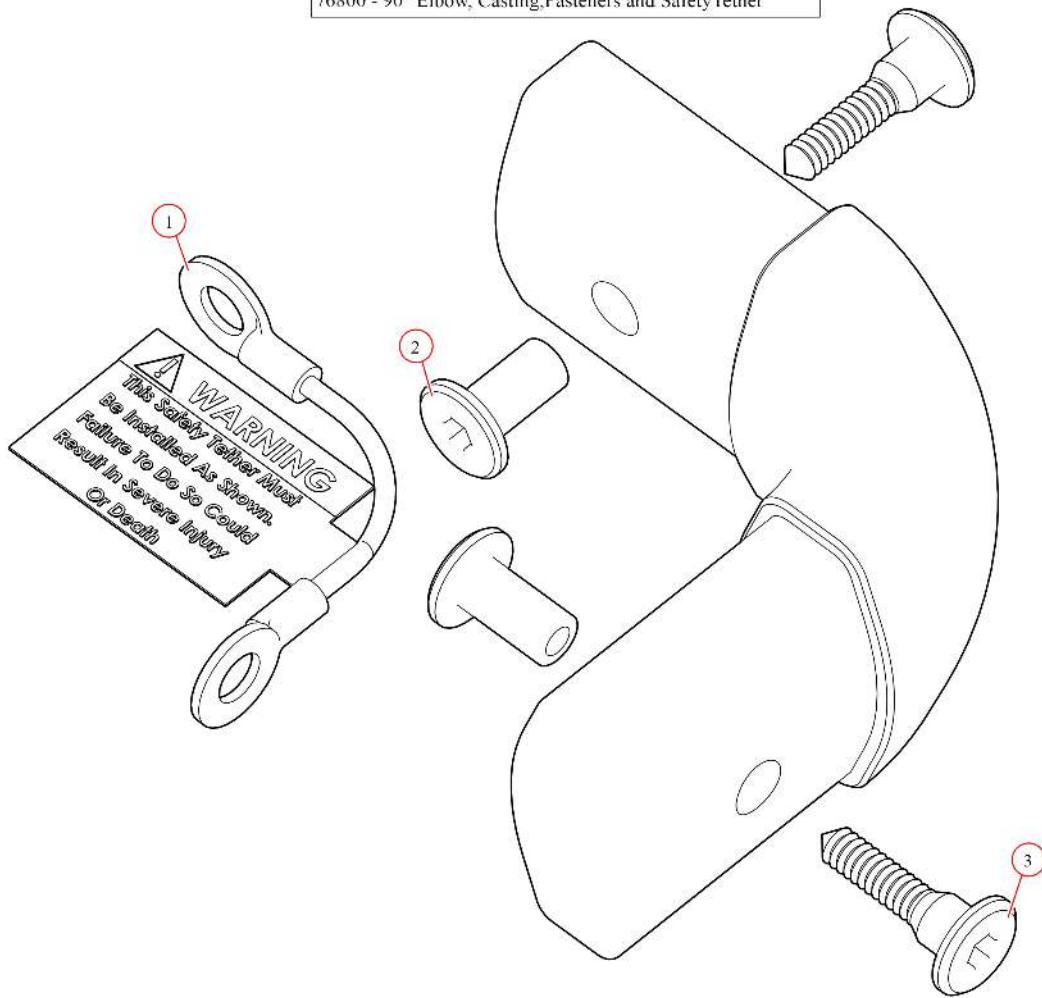
Bom ID	Part#	Description	qty
1	76770	Bow Tube. 98" AL Top Tube for Tarp Bow	2
2	76810	Tarp Flange for Bow Tube (Pair)	2
3	76760	Bow Tube. 98" Side Arm w/ 90 Corner	2

76760 Bow Tube, 98" AL Side Arm W. Corner tarp



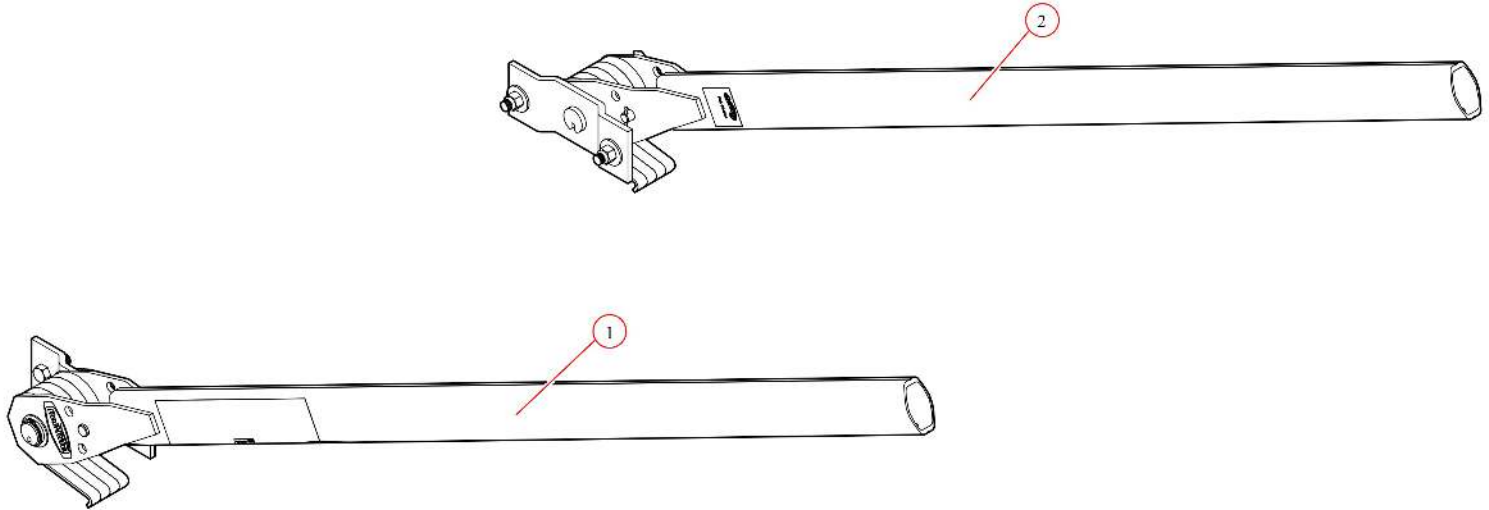
Bom ID	Part#	Description	qty
1	76770	Bow Tube. 98" AL Top Tube for Tarp Bow	1
2	76800	Casting. Aluminum Corner - 90 Degree With Fasteners and Tether	1

76800 - 90° Elbow, Casting, Fasteners and Safety Tether



Bom ID	Part#	Description	qty
1	103533	Tether. Cable with Install Label for 90 degree corner	1
2	18719	Nut. 1/4-20 Cap Conn Nut Clear Zinc - Post bolt for 90 degree corne...	2
3	18718	Bolt. 1/4-20 x 1 3/16 Bolt Clear Zinc - Post bolt for 90 degree corners	2

46440-60 Pivot Set, 4 Spring w/ 60" Aluminum Pivot Tube



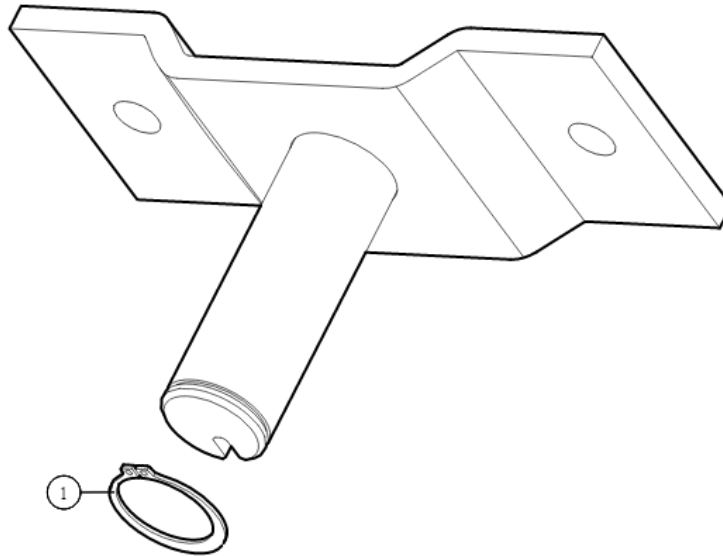
Bom ID	Part#	Description	qty
1	4644D-60	Pivot. Drv-4 Spring Torsion AL - 60" Pivot Tube	1
2	4644P-60	Pivot. Pass-4 Spring Torsion AL - 60" Pivot Tube	1

4644D-60 Pivot Arm Driver Side 4 Spring



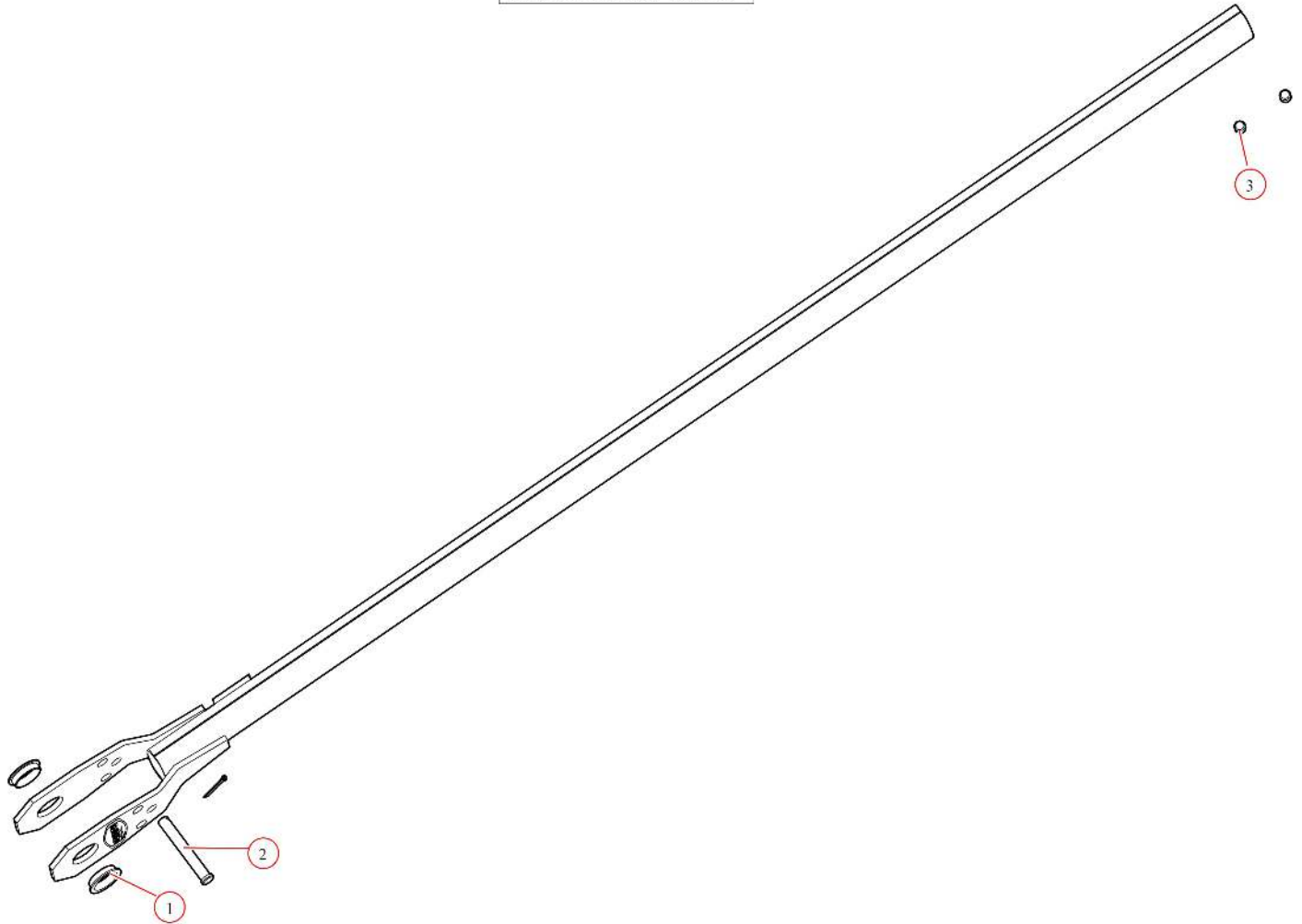
Bom ID	Part#	Description	qty
1	46140-60	Pivot Tube. AL 4 Spring Arm Only 60"	1
2	45340	Pivot Pin. 4-Spring with 47000 snap ring	1
6	47230	Spring. Spiral Torsion Spring 1 1/4"	4

45340 Pivot Pin



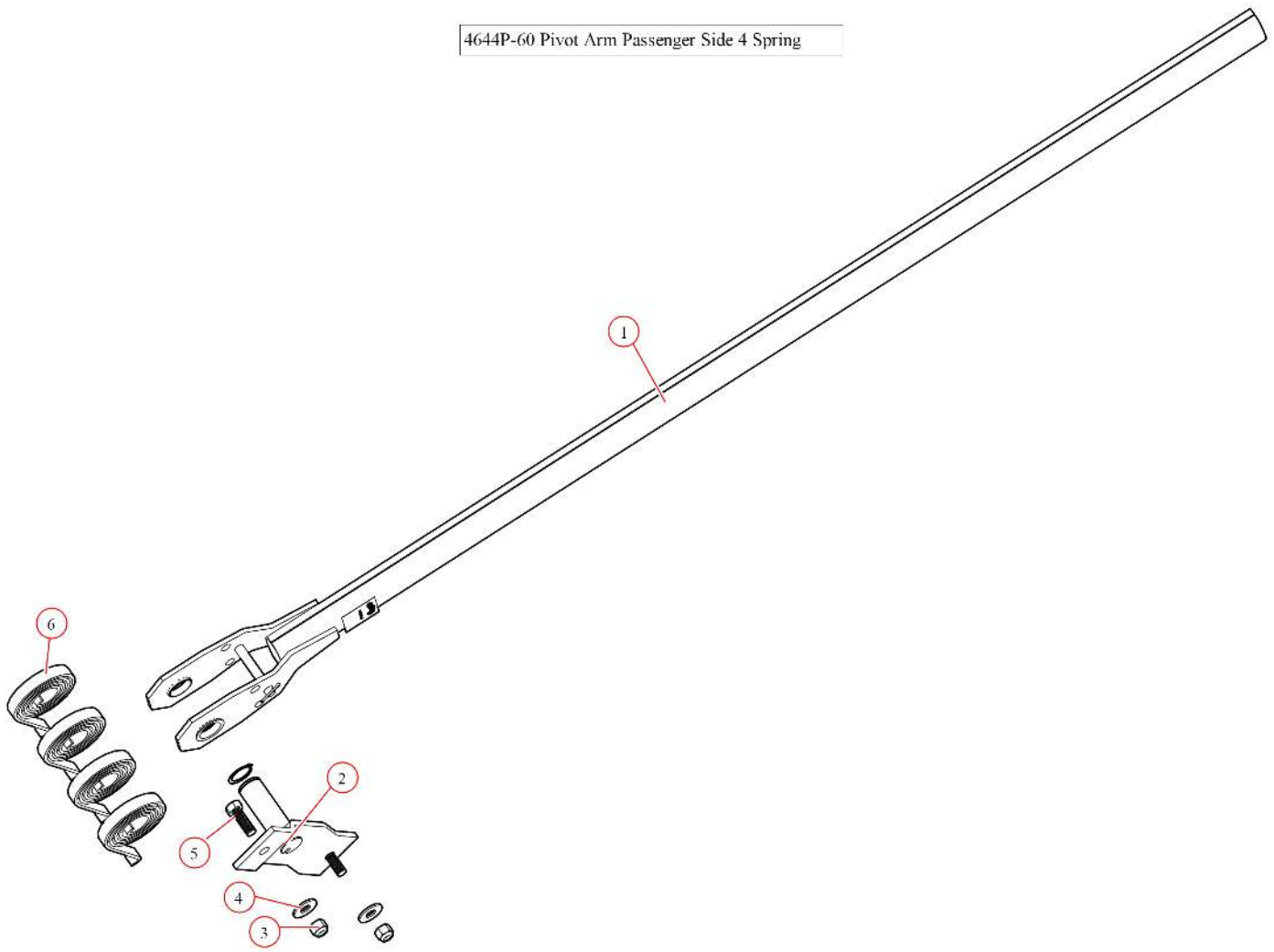
Bom ID	Part#	Description	qty
1	47040	Bushing. 1 1/4 Poly T- Bushing for Pivot Pin	1

46140-60 Pivot Tube 4 Spring



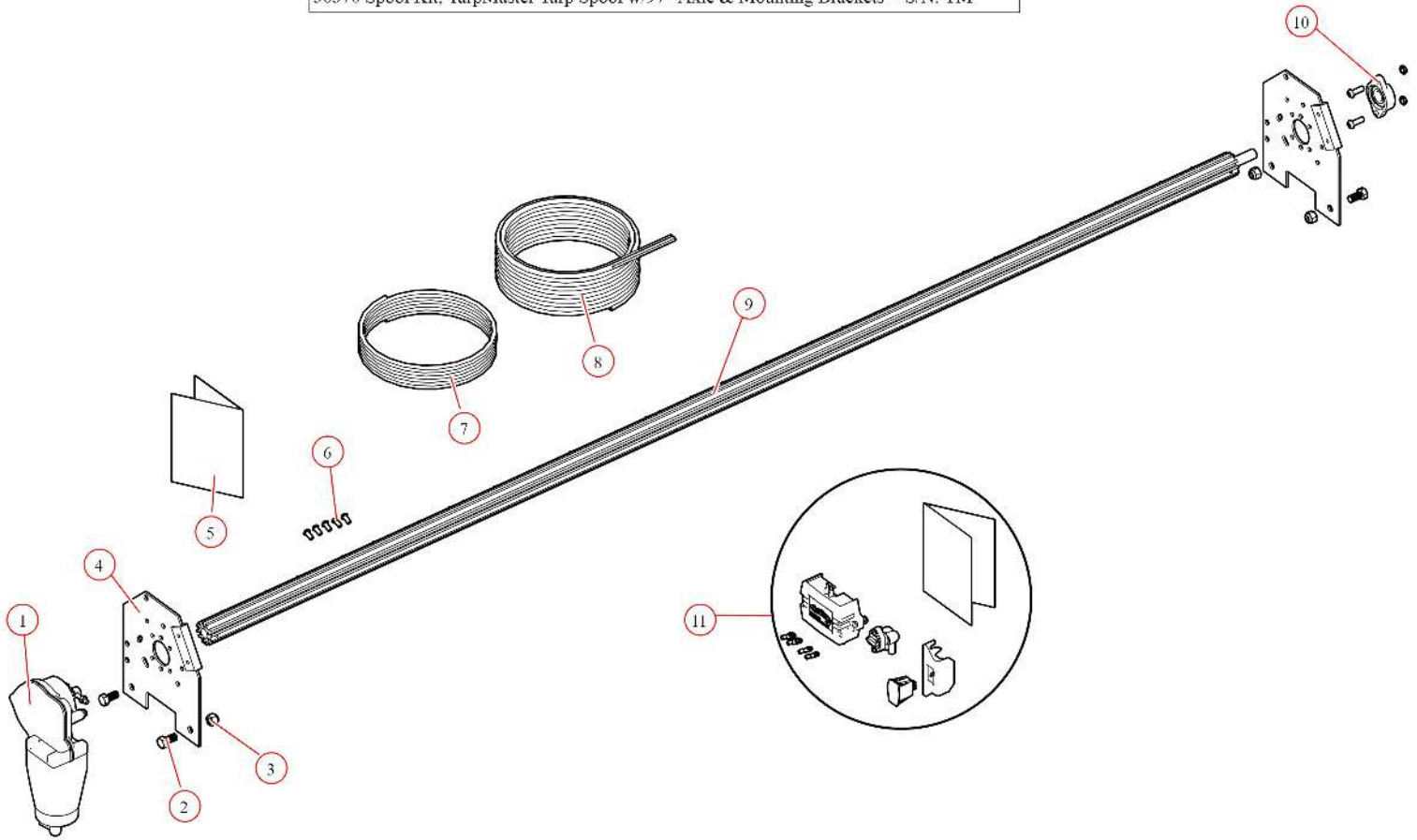
Bom ID	Part#	Description	qty
1	47040	Bushing. 1 1/4 Poly T- Bushing for Pivot Pin	2
2	18520	Pin. 1/2" x 3-1/2" Clevis	1

4644P-60 Pivot Arm Passenger Side 4 Spring



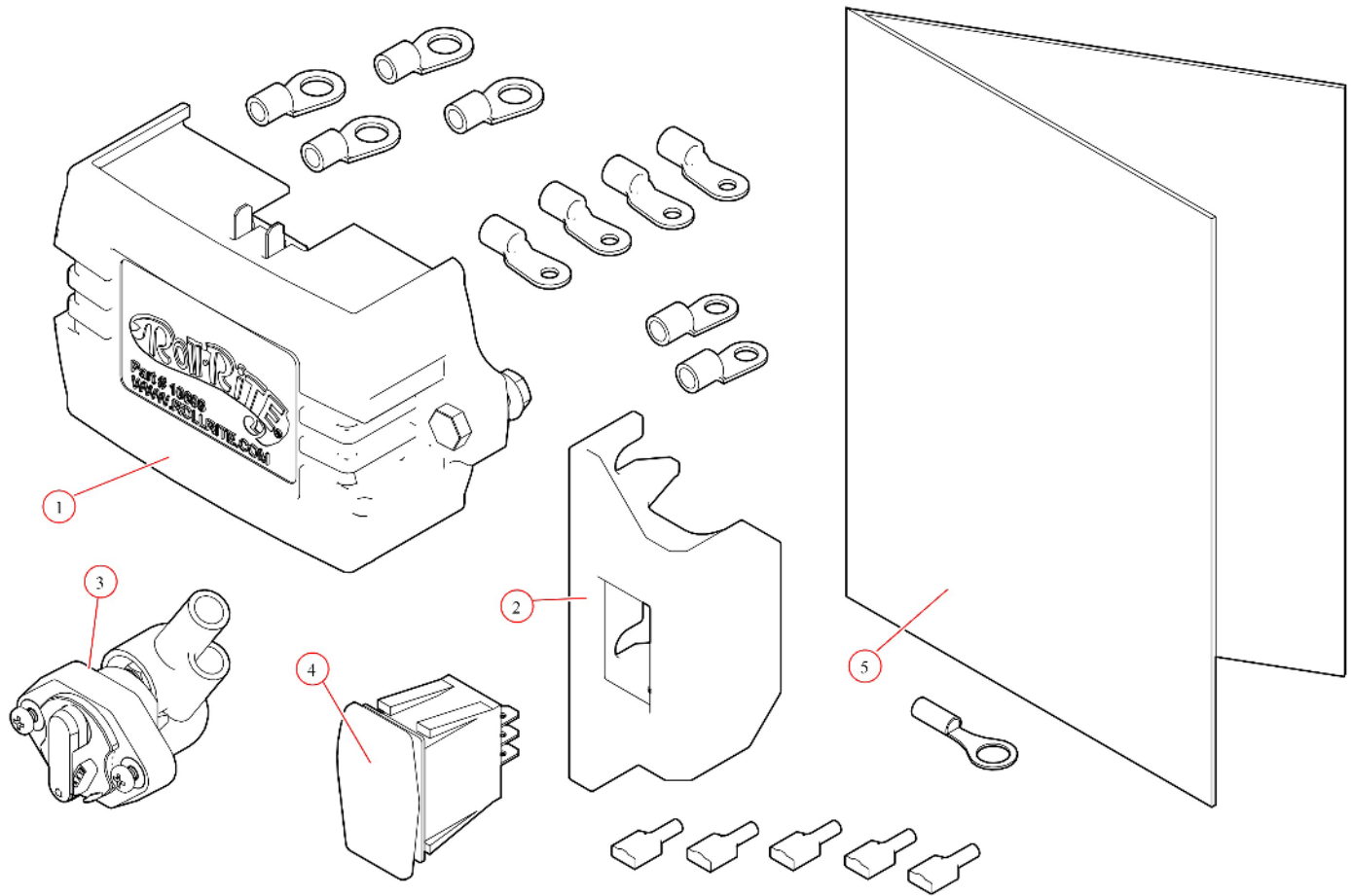
Bom ID	Part#	Description	qty
1	46140-60	Pivot Tube. AL 4 Spring Arm Only 60"	1
2	45340	Pivot Pin. 4-Spring with 47000 snap ring	1
6	47230	Spring. Spiral Torsion Spring 1 1/4"	4

36370 Spool Kit. TarpMaster Tarp Spool w/97" Axle & Mounting Brackets - S/N: TM



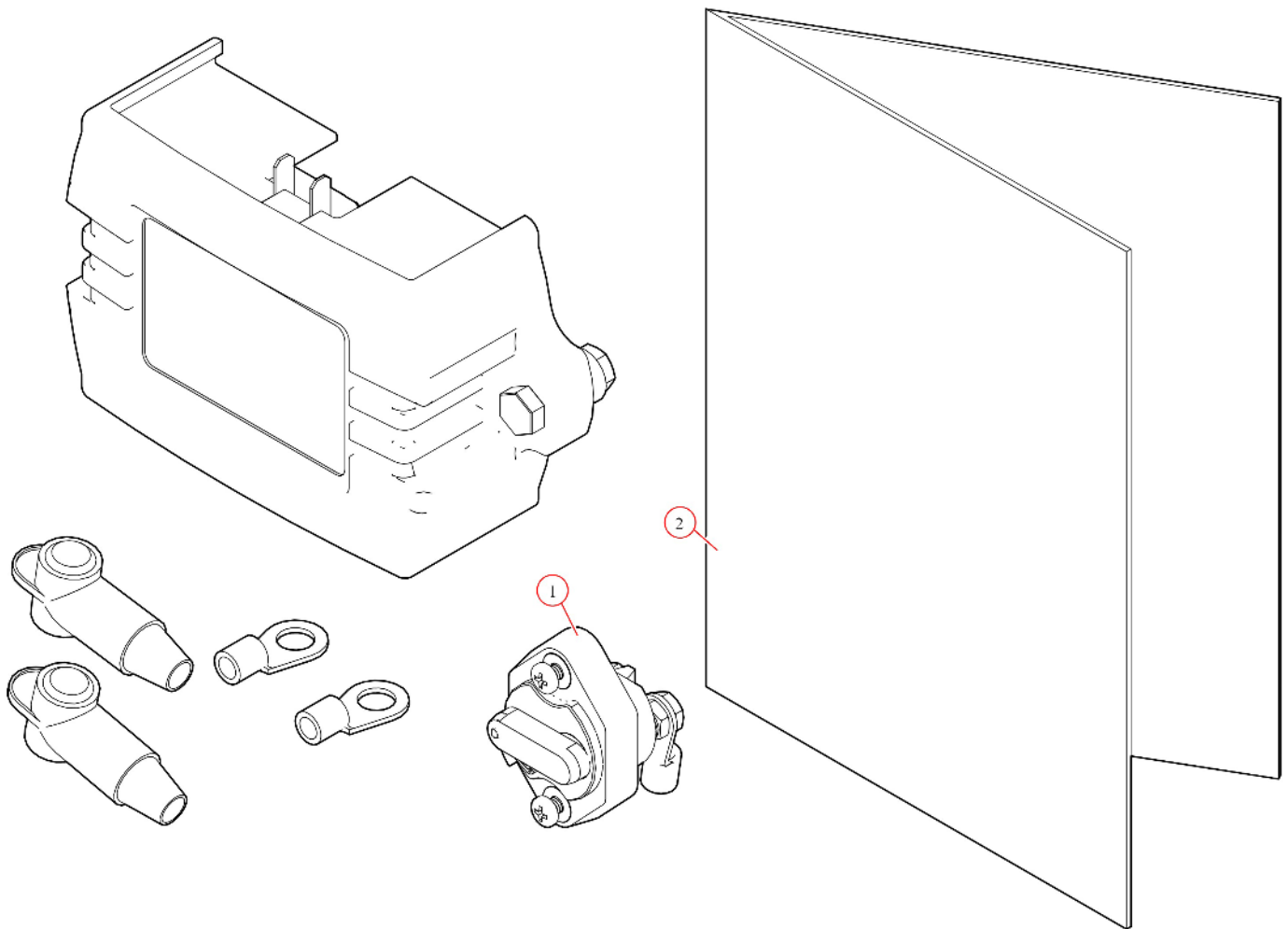
Bom ID	Part#	Description	qty
1	10310	TarpMaster Motor 12V. 5 Year Warranty :S/N:	1
4	36340	Bracket. Aluminum Mounting Brackets - PAIR	1
7	11411	Wire. 16/3-Conductor - 15ft	1
8	100743	Wire. 8 ga. Dual Conductor(55')	1
9	31030	Axle. 97" Pre-Threaded Tarp Axle w/Stub Shaft	1
10	31050	Bearing. 3/4" Flanged Axle Bearing with bolts	1
11	10914	Electric Kit. With 10698 12V Relay and Rocker Switch	1

10914 Electric Kit, With 10698 Relay and Rocker Switch



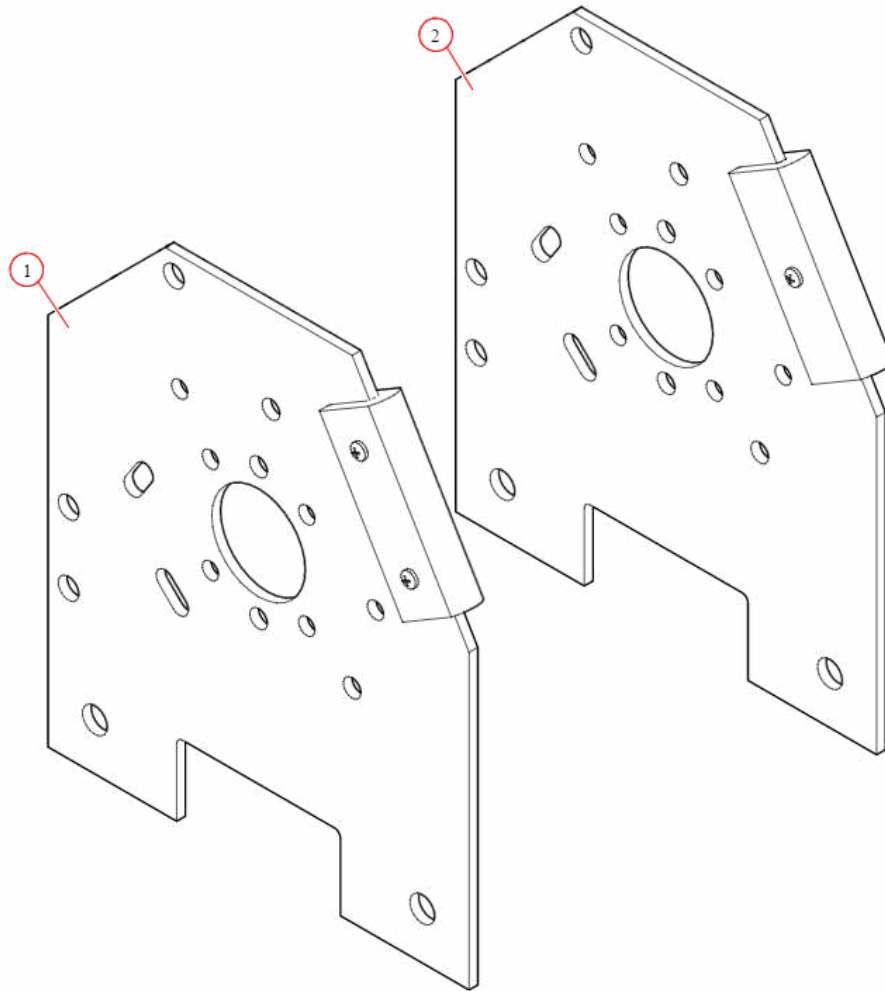
Bom ID	Part#	Description	qty
1	10695	Relay Kit. HD Mechanical Relay w/ 35 Amp Manual Reset Breaker &...	1
2	19300	Switch. Rocker (Open/Close)	1
3	10390	Bracket. Mounting for Rocker Switch	1

10695 Relay, HD(12V) w/ 35 amp Manual Reset Breaker & Terminal



Bom ID	Part#	Description	qty
1	17918	Breaker. 35A Outdoor Manual Reset Circuit Breaker	1

36340 Bracket, Aluminum Mounting Brackets - PAIR



Bom ID	Part#	Description	qty
1	36338	Bracket. Aluminum Mounting Bracket - Driver Side	1
2	36339	Bracket. Aluminum Mounting Bracket - Passenger Side	1