

Roll Off & Hooklift Tarp Systems:

Roll·Rite® **DC 350™**

*The Most Advanced
Adjustable Covering
System for Roll Offs*

Pat. 6,257,646; 6,659,531
and Patent Pending



Automated Covering Systems

www.RollRite.com



RollRite.com

Automated Covering Systems

650 Industrial Drive • Gladwin, MI 48624

Welcome to Roll-Rite® Automated Covering Systems

Roll-Rite® designs and manufactures state-of-the-art, automated tarp systems for the global heavy duty trucking industry serving the Construction, Agriculture, Waste and Recycling markets. Our systems quickly and reliably contain and protect payloads, create a safer working environment for drivers, and maximize our customer's return-on-investment by increasing revenues and reducing cost of ownership.



Customer Service:

800-297-9905 US & Canada

989-345-3434 International

989-246-1035 Fax

Physical Address:

650 Industrial Drive

Gladwin, MI 48624

www.RollRite.com

Contents

69350 Tarp System, DC350 w/20" Narrow Profile Sliding Pivot & Adjustable Tower 1

Tower Assembly

101473 Tower, Single Stage Adjustable w/ SDX, Dual Valve Pump & Control Box Plumbed /Wired 3-1
39004 Tower, Stationary Steel Tower - Integrated Housing 3-2
36164 Housing, Spool 98" Aluminum Integrated Housing 3-3
19865 Control Box, Wireless Black Cntrl Box -12V Waste 3-4
39616 Pump Assembly, 12V Hydraulic Pump w/Manifold & 2 Valves & Compact Tank 3-5

Pivot Assembly

47730 Pivot Set, 20" Narrow Profile Sliding 6 Spring Pivot Set w/ 96" Tubes 4-1
47731 Pivot Driver, Narrow Side Assembled Sliding Pivot w/o Tubes 4-2
47735 Pivot Assembly, Sliding Pivot Nrw Assemblybly Mount with Cylinder 4-3
47732 Pivot Pass, Narrow Side Assembled Sliding Pivot w/o Tubes 4-4
100389 Pivot Assembly, Sliding Pivot Nrw Assemblybly Mount 4-5

Bow Set

76720 Pivot Set, 4 Spring w/ 60" Aluminum Pivot Tube 5-1
76760 Bow Tube, 98" Al Side Arm W. 90° Corner 5-2

Optional Mounting Brackets

46164 Bracket, Mounting Brackets for 3" Narrow Profile Sliding Pivots - Set 6-1

Tower Mounting Brackets

39002 Bracket, Side Frame Style Tower Mounting Bracket - Set 7-1
39001 Bracket, U-bolt Style Tower Mounting Bracket - Set 7-2

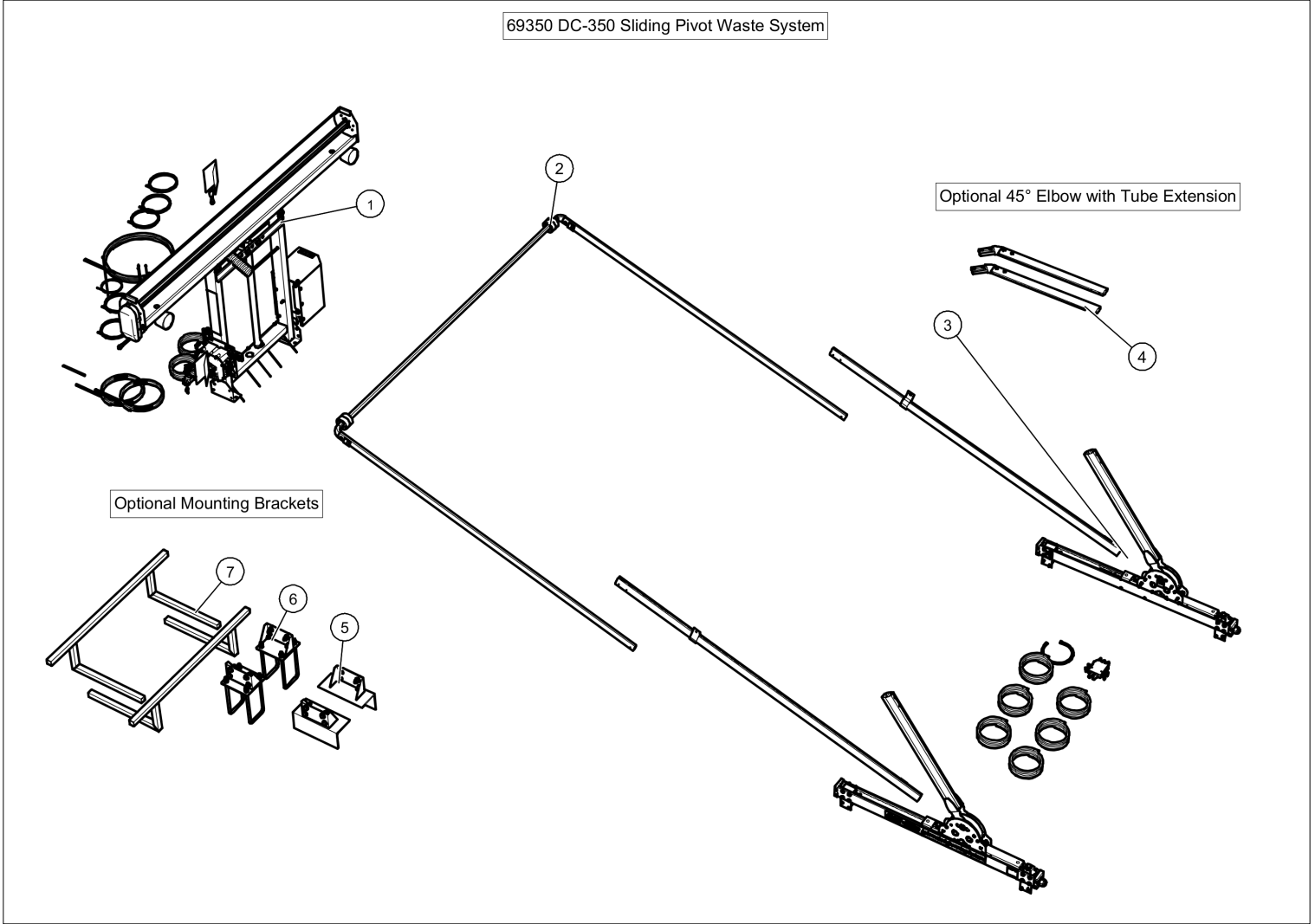
45° Elbow w/96" Tube

76916 Pivot, 45° Low Arm Elbow Kit w/ 24" Extension 8-1
76915 Casting, Extreme Duty 45 deg Flat Pivot Tube Elbow 8-2

Appendix B:Parts Index B

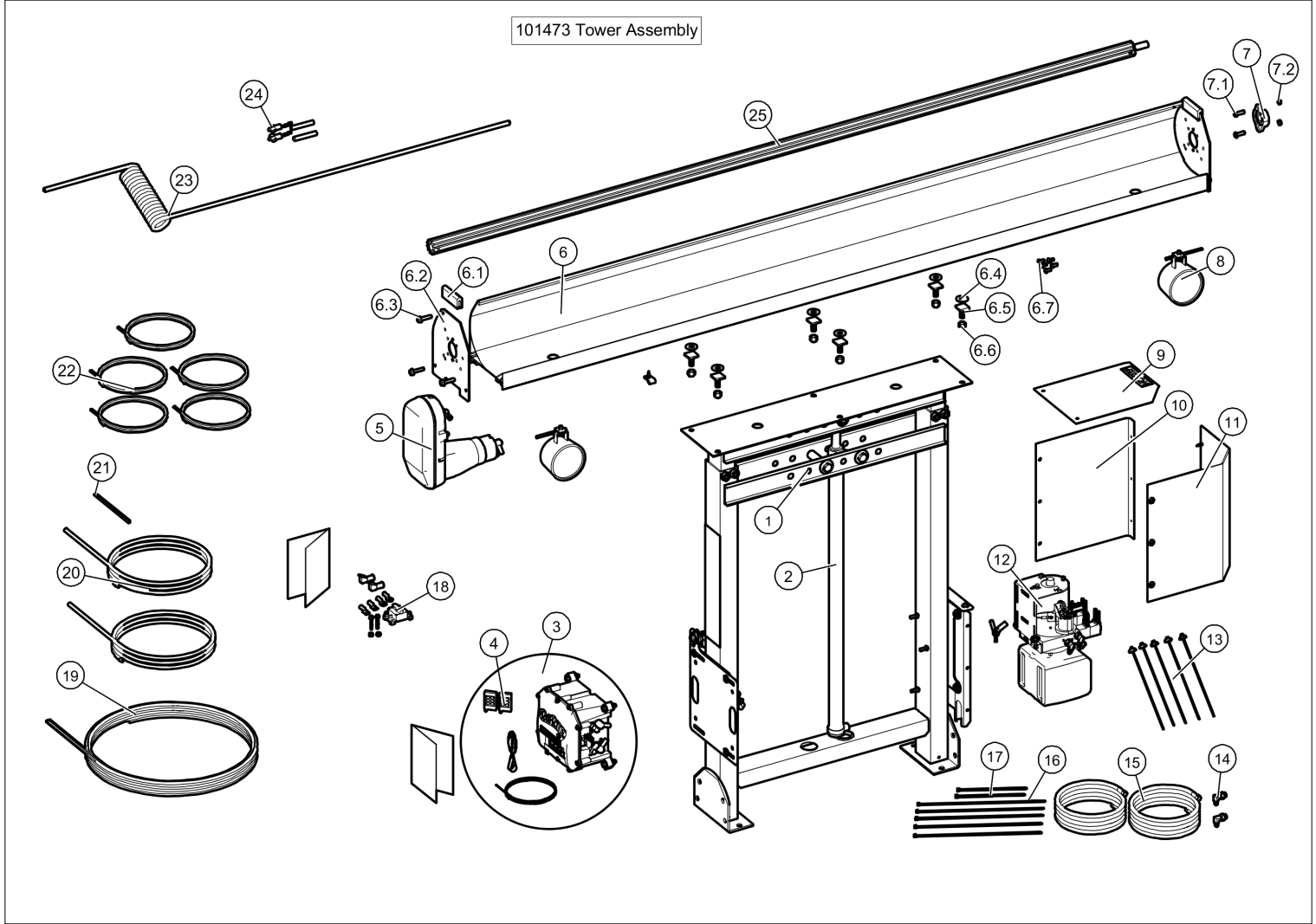
69350 Tarp System, DC350 w/20" Narrow Profile Sliding Pivot & Adjustable Tower

69350 DC-350 Sliding Pivot Waste System



Item	Part No.	Name	Qty
Ref	69350	Tarp System, DC350 w/20" Narrow Profile Sliding Pivot & Adjustable Tower - 12V Motor S/N: SD	1
1	101473	Tower, Single Stage Adjustable w/ SDX, Dual Valve Pump & Control Box Plumbed /Wired	1
2	76720	Bow Set, 103 1/2" Wide Top Tube w/ 98" Bow Arms	1
3	47730	Pivot Set, 20" Narrow Profile Sliding 6 Spring Pivot Set w/ 96" Tubes	1
4	76916	Pivot, 45° Low Arm Elbow Kit w/ 32" Extension	1
5	39002	Bracket, Side Frame Style Tower Mounting Bracket - Set	1
6	39001	Bracket, U-bolt Style Tower Mounting Bracket - Set	1
7	46164	Bracket, Mounting Brackets for 3" Narrow Profile Sliding Pivots - Set	1

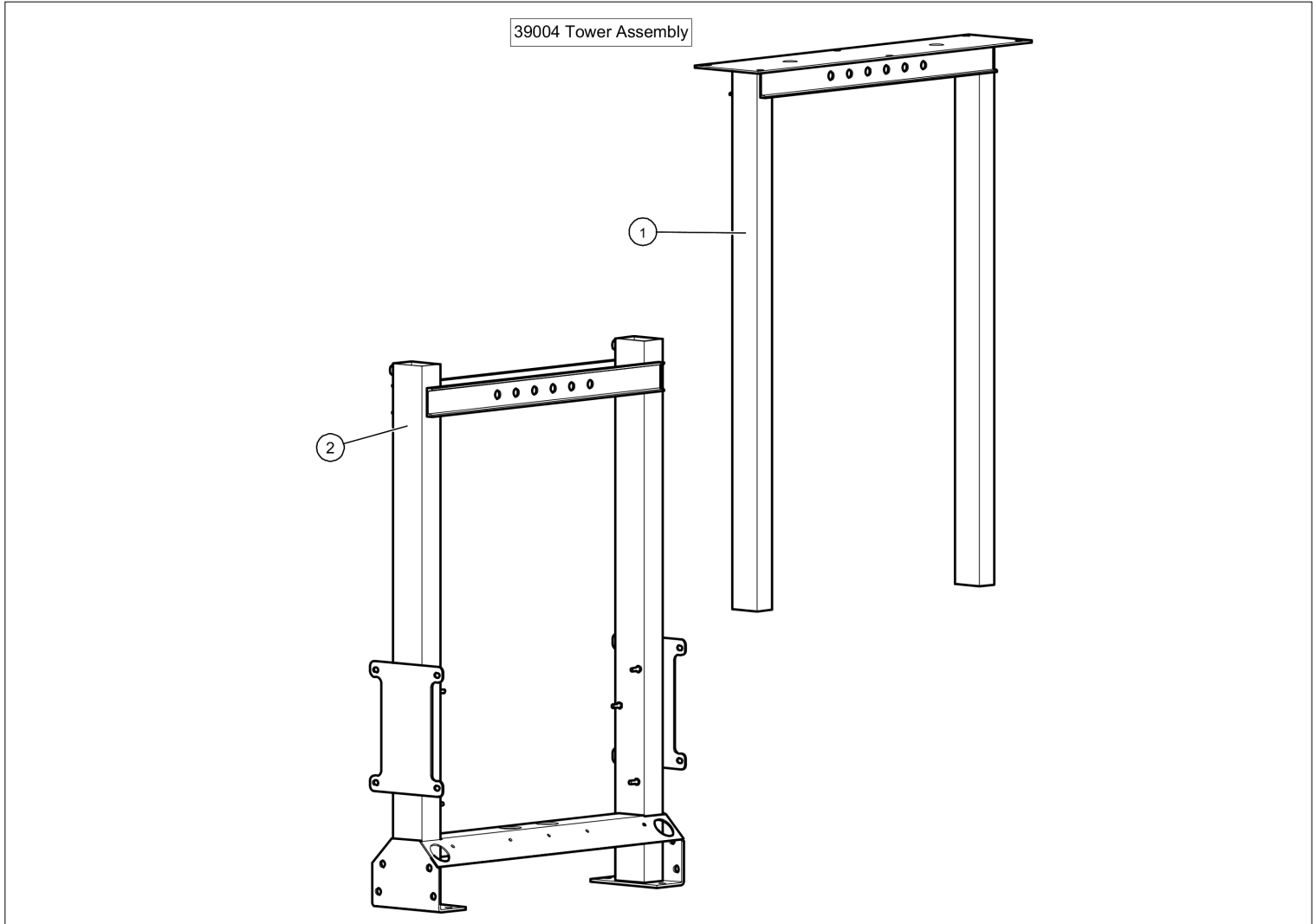
Tower Assembly 101473 Tower, Single Stage Adjustable w/ SDX, Dual Valve Pump & Control Box Plumbed /Wired



Item	Part No.	Name	Qty
Ref	101473	Tower, Single Stage Adjustable w/ SDX, Dual Valve Pump & Control Box Plumbed /Wired	1
1	39006	Tower, Single Stage Adjustable Tower w/Hydraulic Cylinder for Integrated Housing	1
2	39520	Cylinder, 1.5" Bore x 36" Stroke DA, Single Flange Mount	1
3	19865	Control Box, Wireless Black Cntrl Box -12V Waste	1
4	19801	Keyfob, 6-button Wireless for Black Control Box	2
5	10122	Gear Motor, Super Duty w/5 Year Warranty - S/N: SDX	1
6	36164	Housing, Spool 98" Aluminum Integrated Housing	1
6.1	36300	Bumper, Rubber Bumper for Tarp Spool -each-	2
6.2	101675	Bracket, Int Housing Aluminum Endcaps- EACH without rubber stop	2
6.3	18120	Bolt, 3/8" x 1-1/2" Thread Cutting Screw Hex Washer Hd	6
6.4	18412	Washer, 1/2" Flat Zinc	6
6.5	18245	Bolt, T-Bolt 1/2-13NCx1.75 for GAB	6

Item	Part No.	Name	Qty
6.6	18631	Nut, 1/2" Nylock Nut	6
6.7	18260	Bolt, 5/16" x 5/8" Button Head Bolt-Zinc Plated	5
7	31050	Bearing, 3/4" Flanged Axle Bearing with bolts/nuts	1
7.1	18242	Bolt, 3/8"-16 x 1 1/8" Button Head	2
7.2	18628	Nut, Nylock nut 3/8" Jamb Nut	2
8	19470	Light, Work Light 12V	2
9	10778	Top cover for external leg pump mount	1
10	10794	Bracket, Pump Mount Cover Steel 1/8x16x13 7/8"	1
11	39615	Pump Cover, Black Housing for Hydraulic Pump on Vert Mount Towers NEW	1
12	39616	Pump Assembly, 12V Hydraulic Pump w/Manifold & 2 Valves & Compact Tank	1
13	1132	Zip Tie, Button Head 21087	5
14	39299	Adapter, Str #4 Male Tube to #6 Male Oring (speed block to hose)	2
15	39206	Hose Set, 2 Hose Set for IntTower solenoid Valve style	2
16	1131	Zip Tie, 15" Ty Rap	5
17	1130	Zip Tie, 8" Ty Rap	2
18	17914	Breaker, 200 amp Manual Reset Breaker Only for 12V pump	1
19	11330	Wire, 6 ga. Dual Conductor -ft-	1
20	11350	Wire, 2 ga. Single Conductor -per ft-- Black	1
21	100740	Wire, 8 Ga. Dual Conductor (foot)	1
22	11345	Wire, 16 ga. 2-Conductor -per ft-	5
23	11325	Wire, Tower Coil Cord Std 75" - 2-8ga & 2-16 ga with 12 & 48" leads	1
24	16212	Boot, Rubber for 14 ga wire Terminal	2
25	31030	Axle, 97" Pre Threaded AL Tarp Axle w/Stub Shaft	1

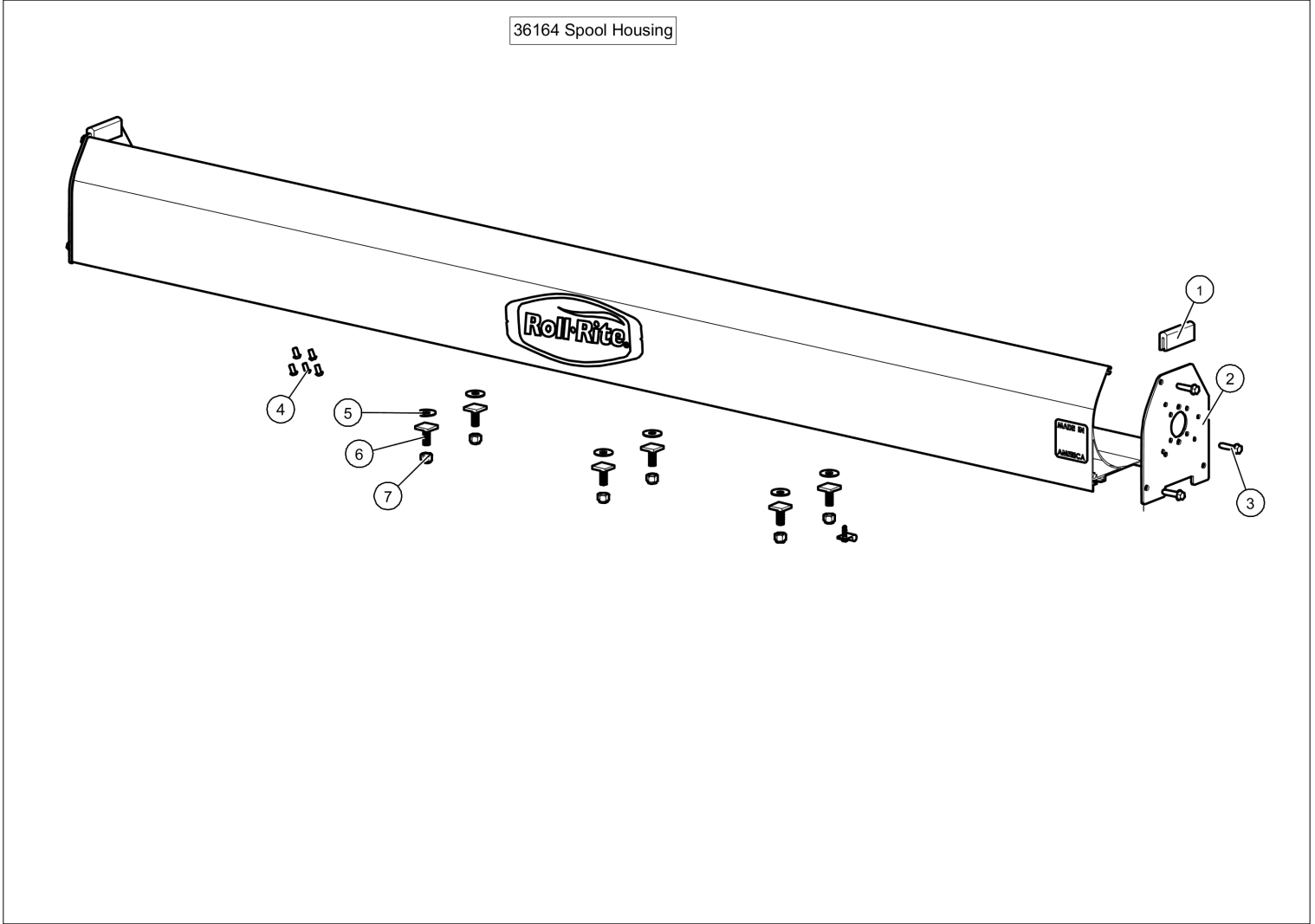
Tower Assembly 39004 Tower, Stationary Steel Tower - Integrated Housing



Item	Part No.	Name	Qty
Ref	39004	Tower, Stationary Steel Tower - Integrated Housing	1
1	39169	Tower, Top Half Single or Dual Stage Tower Int Housing	1
2	39179	Tower, Bottom Half Steel Single Stage Int Tower	1

Tower Assembly 36164 Housing, Spool 98" Aluminum Integrated Housing

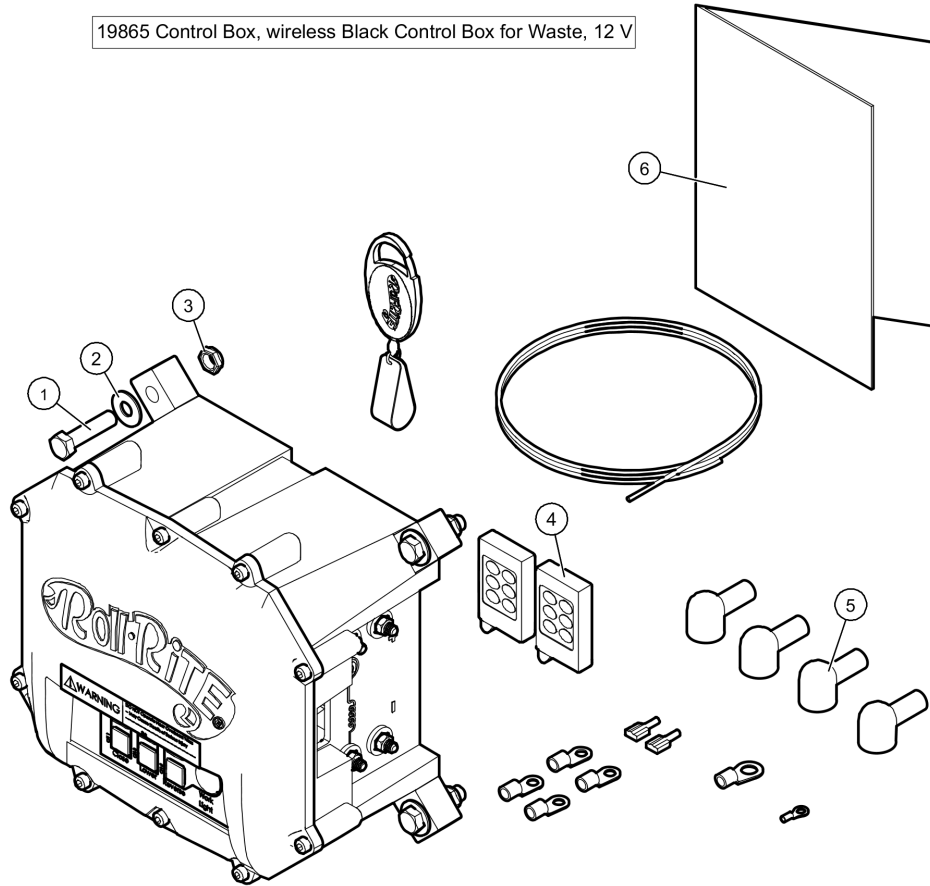
36164 Spool Housing



Item	Part No.	Name	Qty
Ref	36164	Housing, Spool 98" Aluminum Integrated Housing	1
1	36300	Bumper, Rubber Bumper for Tarp Spool -each-	2
2	101675	Bracket, Int Housing Aluminum Endcaps- EACH without rubber stop	2
3	18120	Bolt, 3/8" x 1-1/2" Thread Cutting Screw Hex Washer Hd	6
4	18631	Nut, 1/2" Nylock Nut	6
5	18245	Bolt, T-Bolt 1/2-13NCx1.75 for GAB	6
6	18412	Washer, 1/2" Flat Zinc	6
7	18260	Bolt, 5/16" x 5/8" Button Head Bolt-Zinc Plated	5

Tower Assembly 19865 Control Box, Wireless Black Cntrl Box -12V Waste

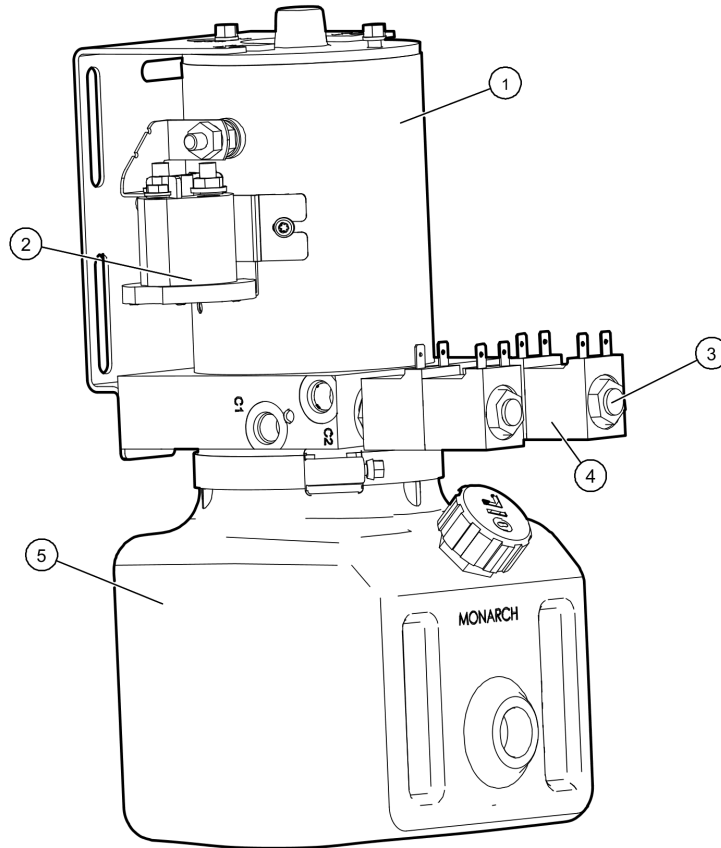
19865 Control Box, wireless Black Control Box for Waste, 12 V



Item	Part No.	Name	Qty
Ref	19865	Control Box, Wireless Black Cntrl Box -12V Waste	1
1	18286	Bolt, 3/8" x 1- 1/2" Hex Head	5
2	18400	Washer, 5/16" USS Flat Zinc	4
3	18628	Nut, Nylock nut 3/8" Jamb Nut	4
4	19801	Keyfob, 6-button Wireless for Black Control Box	2
5	16200	Boot, Rubber for Motor	4
6	101786	Instructions, Push Button Control box	1

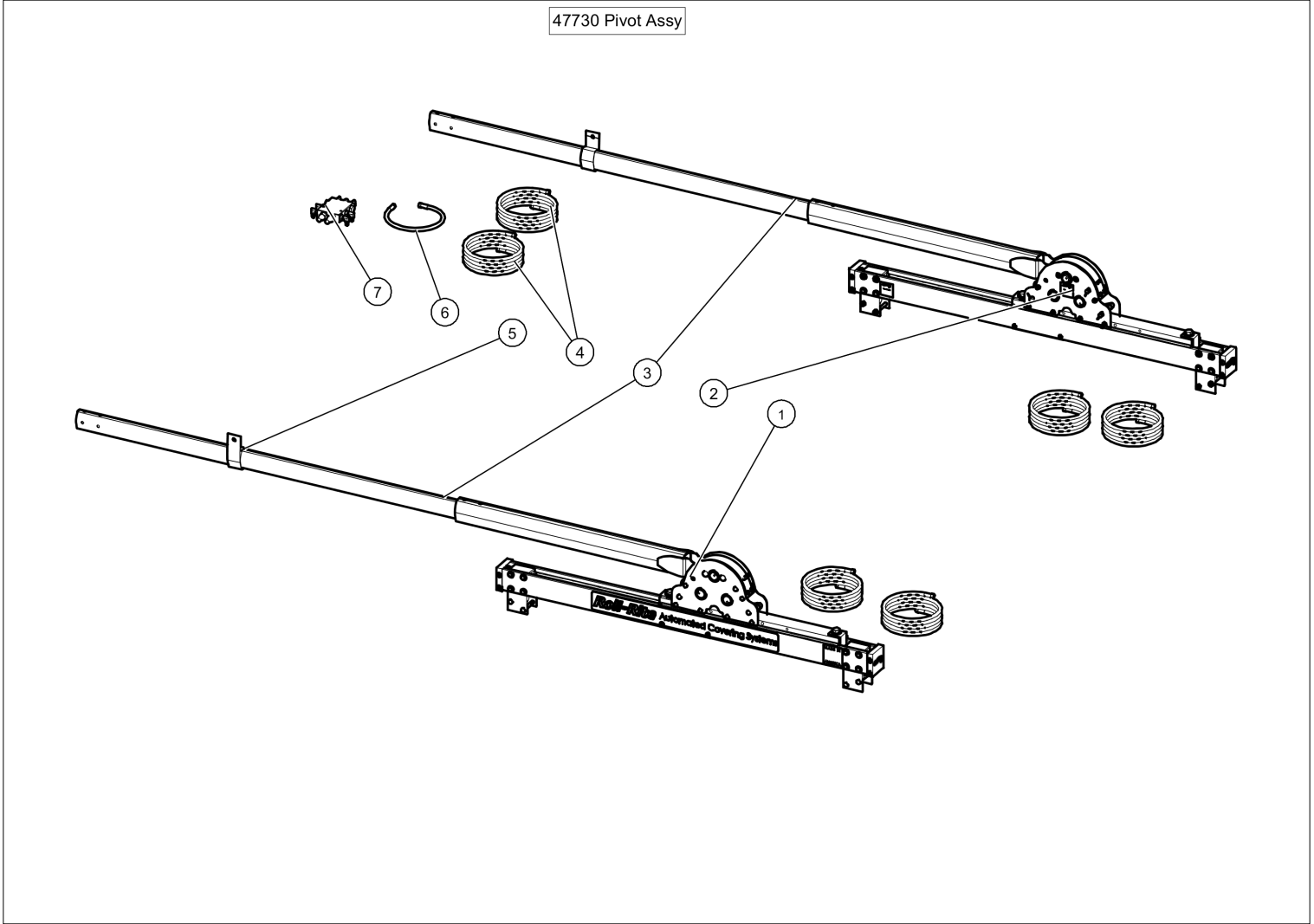
Tower Assembly 39616 Pump Assembly, 12V Hydraulic Pump w/Manifold & 2 Valves & Compact Tank

39616 Tank, for Integrated Dual Valve Power Unit (39616)



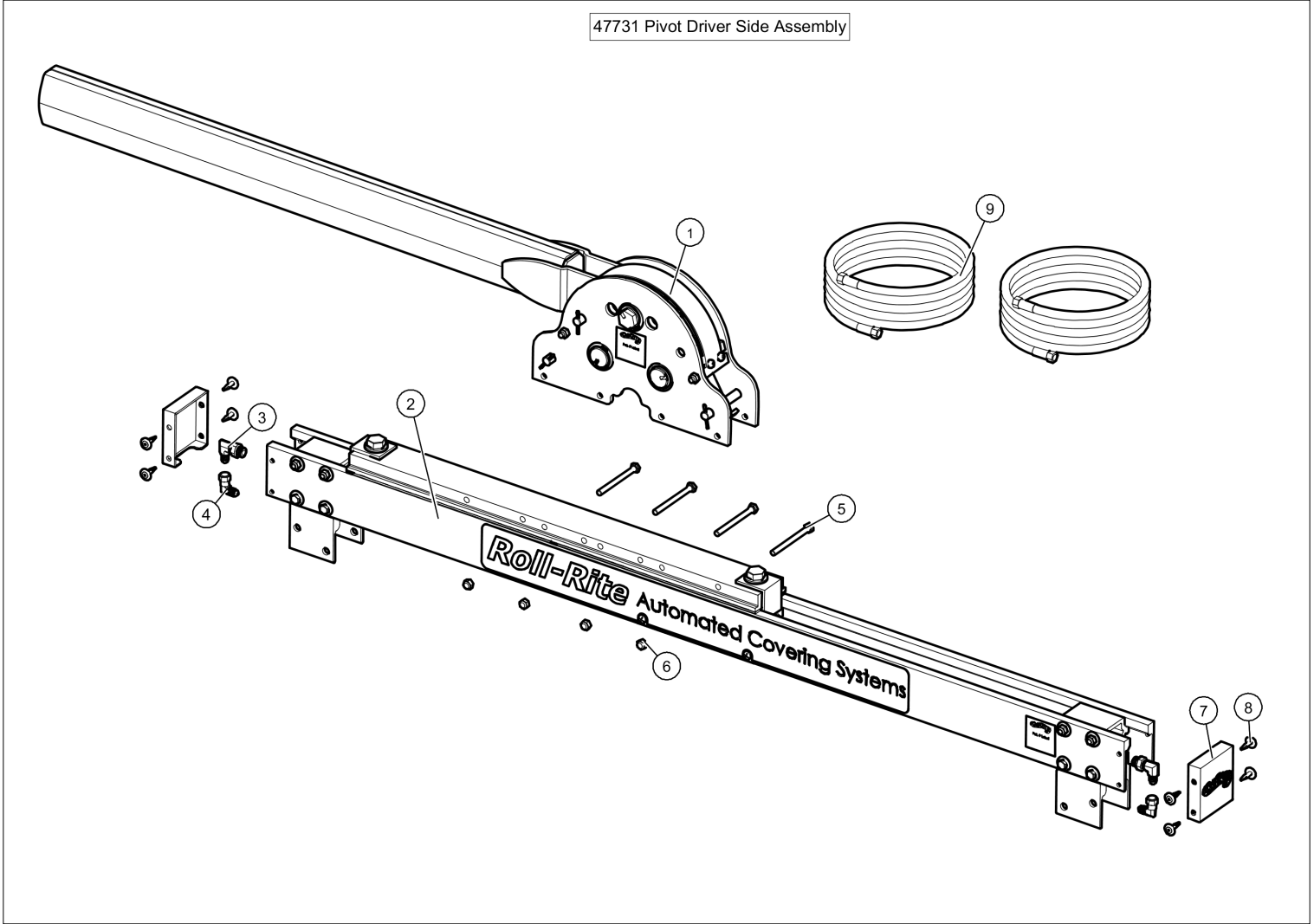
Item	Part No.	Name	Qty
Ref	39616	Pump Assembly, 12V Hydraulic Pump w/Manifold & 2 Valves & Compact Tank	1
1	39410	Motor, Replacement Motor for Hydraulic Pump -12 Volt-(39616)	1
2	39431	Switch, -Solenoid-Replacement Motor Start Switch for Remote Valve Pump (39616)	1
3	102814	Valve, Cartridge Style Directional 3P4W 3000PSI Power Unit (39616)	1
4	102816	Coil, 10VDC #8 Two 1/14" Male Tab for Power Unit (39616)	2
5	39605	Tank, for Integrated dual valve Power Unit (39616)	2

Pivot Assembly 47730 Pivot Set, 20" Narrow Profile Sliding 6 Spring Pivot Set w/ 96" Tubes



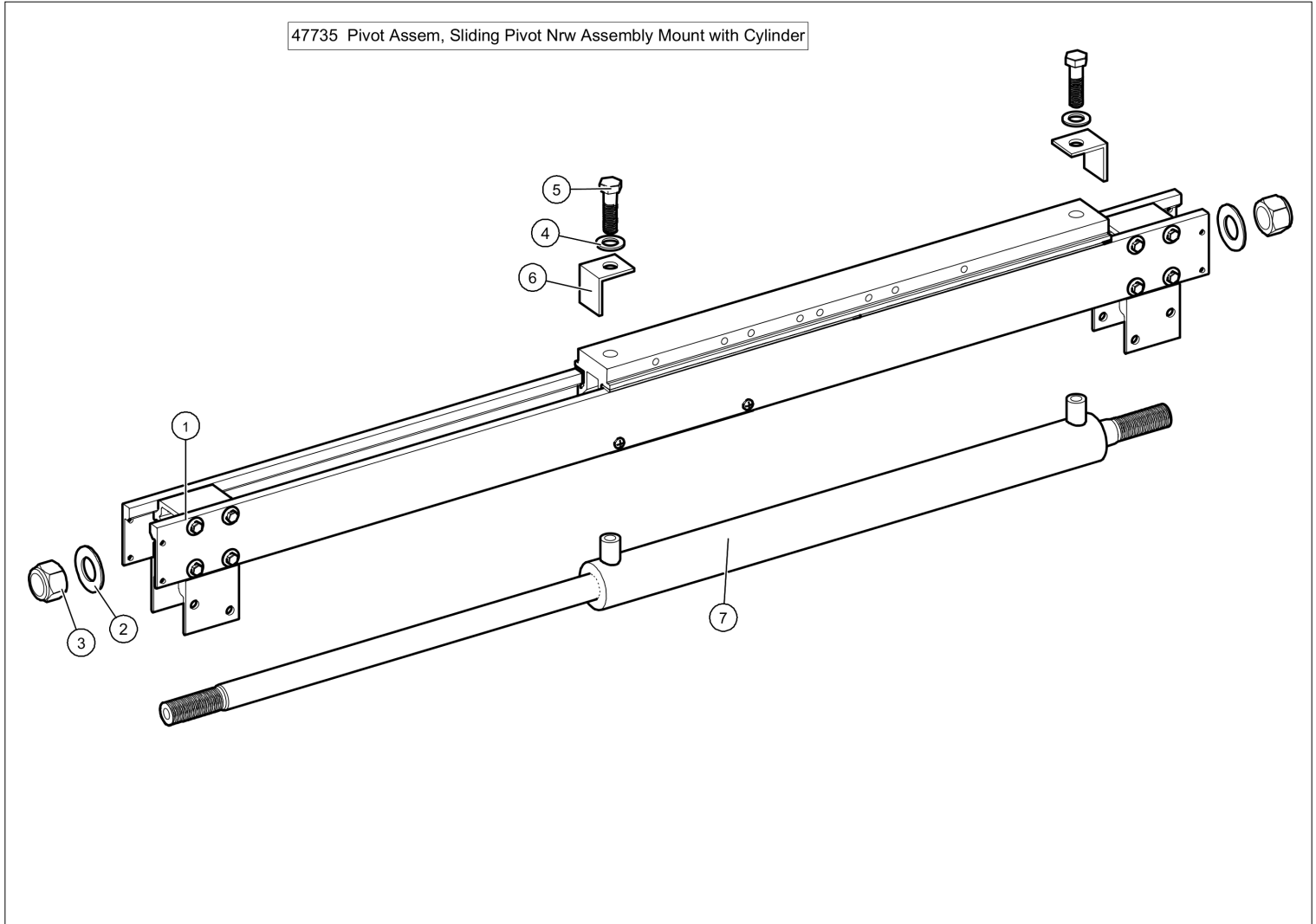
Item	Part No.	Name	Qty
1	47731	Pivot Driver, Narrow Side Assembled Sliding Pivot w/o Tubes	1
2	47732	Pivot Pass, Narrow Side Assembled Sliding Pivot w/o Tubes	1
3	102420	Pivot Tube, 96" Drilled for Set Screws & 45 degree Offset and Buffed	2
4	100920	Hose, 240" Replacement Hyd Hose	2
5	101672	Bracket, AL Raw Pivot Tie Down w/Tapped Holes	2
6	39092	Hose, 1ft Replacement Bleeding Hose	1
7	39090	Manifold, Hydraulic Synchronizing	1

Pivot Assembly 47731 Pivot Driver, Narrow Side Assembled Sliding Pivot w/o Tubes



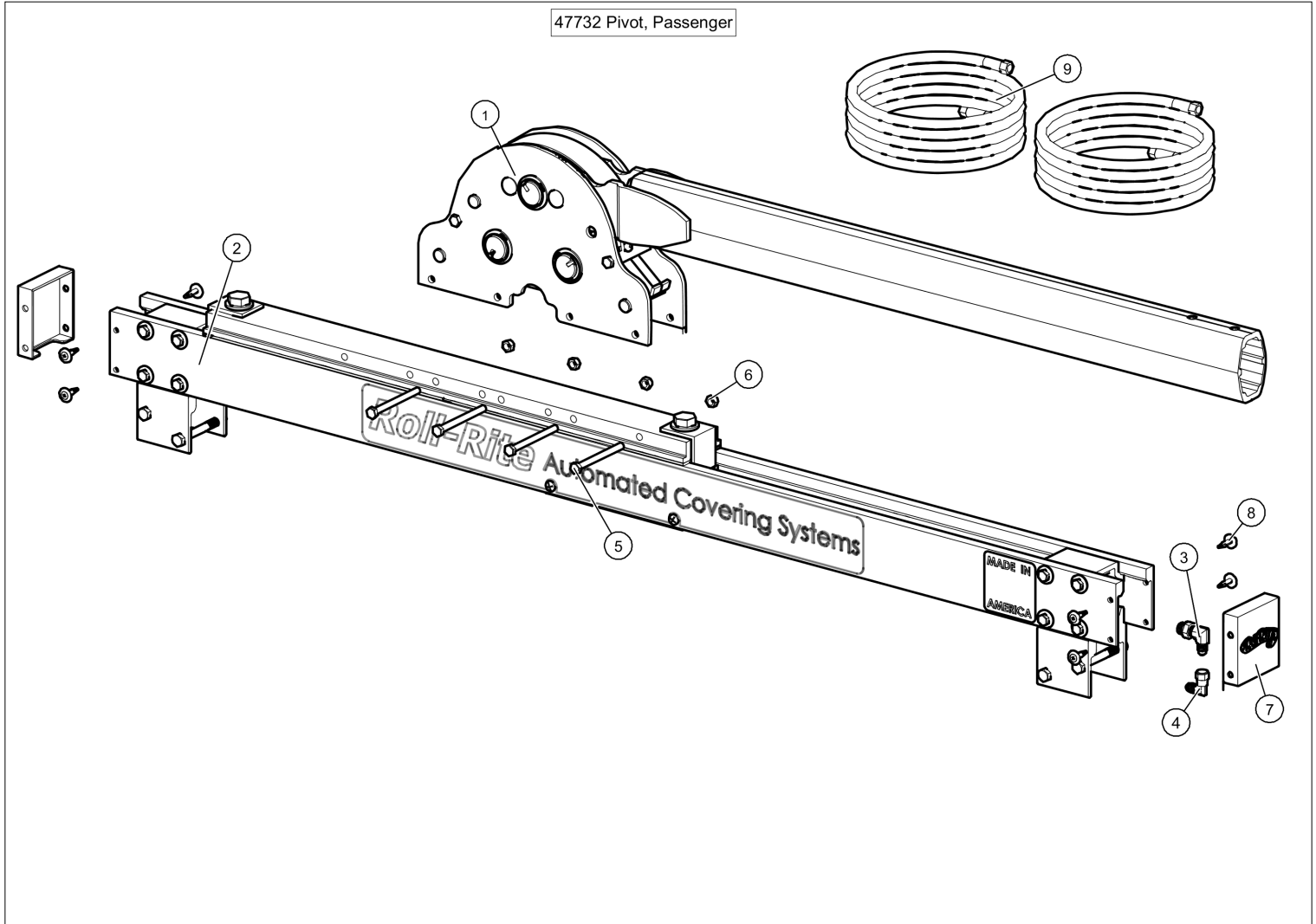
Item	Part No.	Name	Qty
Ref	47731	Pivot Driver, Narrow Side Assembled Sliding Pivot w/o Tubes	1
1	47733	Pivot Assembly, Sliding Pivot Spring Pack Nrw - Driver	1
2	47735	Pivot Assembly, Sliding Pivot Nrw Assemblybly Mount with Cylinder	1
3	39299	Adapter, Str #4 Male Tube to #6 Male Oring (speed block to hose)	2
4	39297	Adapter, 90° #4 Male tube to #4 37° female swivel	2
5	18223	Bolt, 5/16" x 3 1/2" Hex Head Bolt zinc Grade 5	4
6	18613	Nut, 5/16" Nylock Nut	4
7	36314	Cap, End cap w/ logo for Nrw Sliding Pivot	2
8	18308	Rivet, Push Rivet for Pump Cover - Plastic	8
9	100919	Hose, 120" Replacement Hyd, Hose	1

Pivot Assembly 47735 Pivot Assembly, Sliding Pivot Nrw Assembly Mount with Cylinder



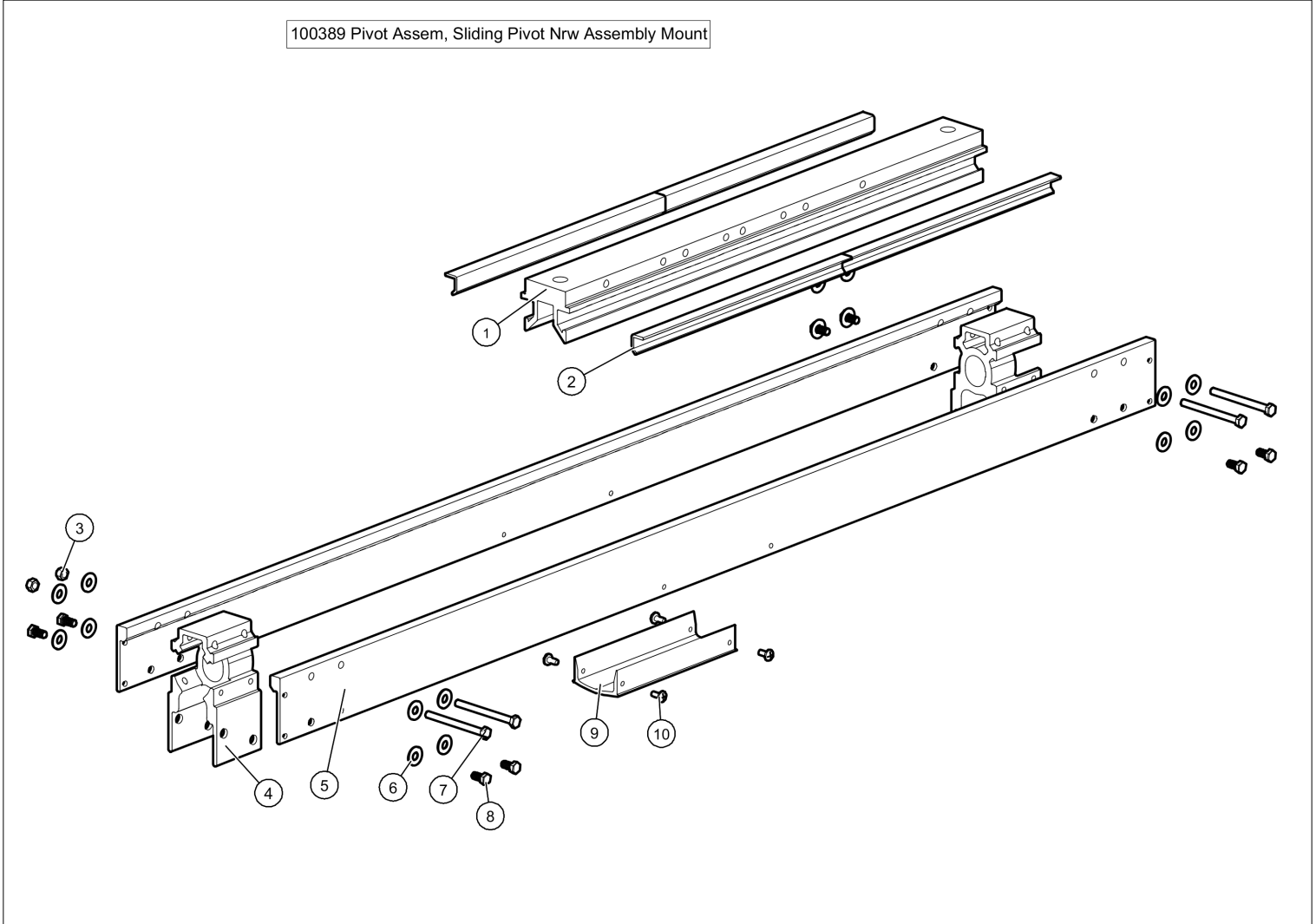
Item	Part No.	Name	Qty
Ref	47735	Pivot Assembly, Sliding Pivot Nrw Assembly Mount with Cylinder	1
1	100389	Pivot Assembly, Sliding Pivot Nrw Assembly Mount	1
2	18420	Washer, 1-1/8" SAE Flat Zinc	2
3	18645	Nut, 1- 1/8" Nylock Nut	2
4	18417	Washer, 5/8" Lock SAE	2
5	18712	Bolt, 5/8" x 2 1/4 Hex Head	2
6	46734	Bracket, Guide Retainer for Nrw Sliding Pivot Sliding Rail	2
7	47784	Cylinder, Hydraulic only for 2ft Sliding Pivot, ea	1

Pivot Assembly 47732 Pivot Pass, Narrow Side Assembled Sliding Pivot w/o Tubes



Item	Part No.	Name	Qty
Ref	47732	Pivot Pass, Narrow Side Assembled Sliding Pivot w/o Tubes	1
1	47734	Pivot Assembly, Sliding Pivot Spring Pack Nrw Passenger	1
2	47735	Pivot Assembly, Sliding Pivot Nrw Assemblybly Mount with Cylinder	1
3	39299	Adapter, Str #4 Male Tube to #6 Male Oring (speed block to hose)	2
4	39297	Adapter, 90° #4 Male tube to #4 37° female swivel	2
5	18223	Bolt, 5/16" x 3 1/2" Hex Head Bolt zinc Grade 5	4
6	18613	Nut, 5/16" Nylock Nut	4
7	36314	Cap, End cap w/ logo for Nrw Sliding Pivot	2
8	18308	Rivet, Push Rivet for Pump Cover - Plastic	8
9	100919	Hose, 120" Replacement Hyd, Hose	1

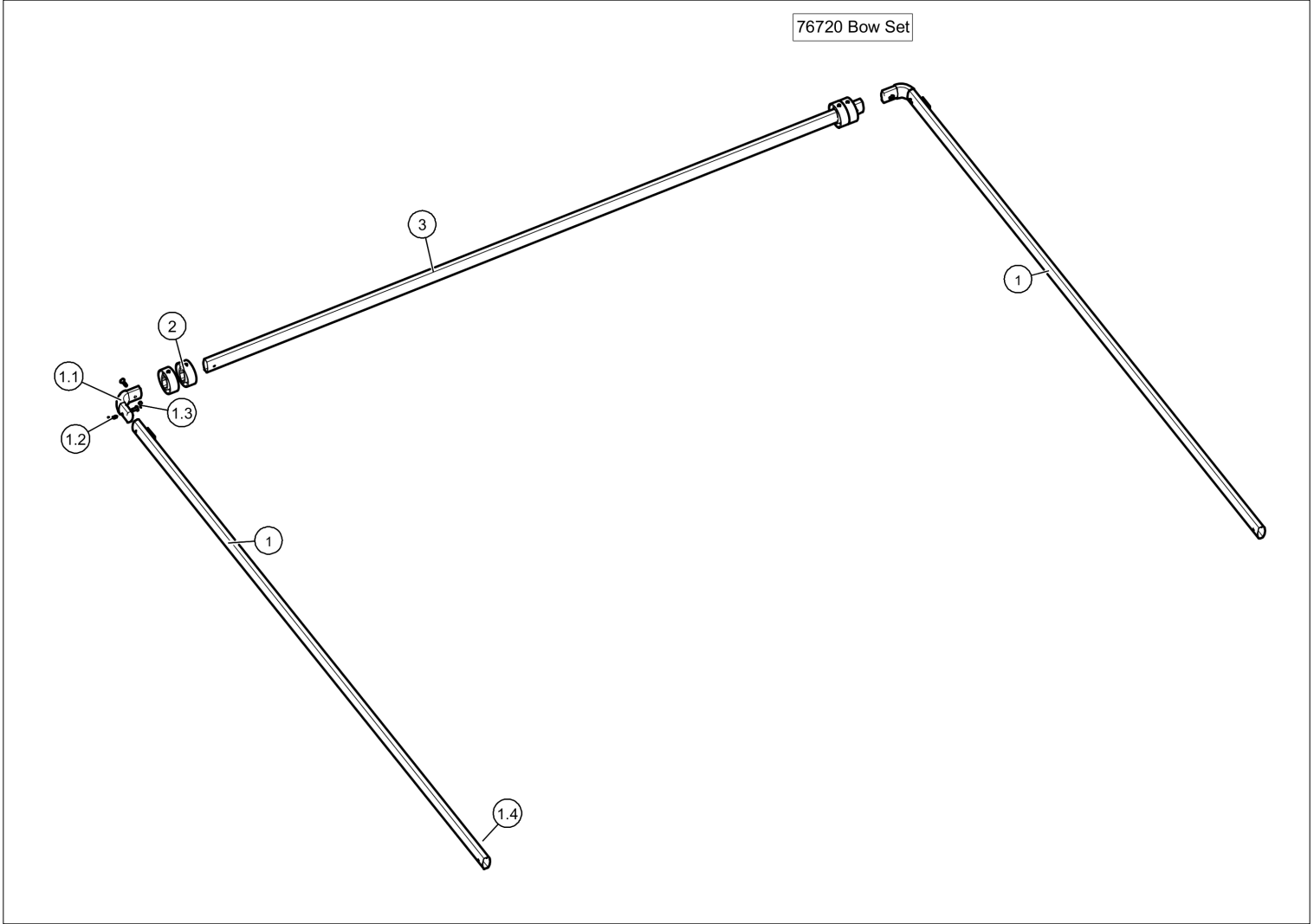
Pivot Assembly 100389 Pivot Assembly, Sliding Pivot Nrw Assemblybly Mount



100389 Pivot Assem, Sliding Pivot Nrw Assembly Mount

Item	Part No.	Name	Qty
Ref	100389	Pivot Assembly, Sliding Pivot Nrw Assemblybly Mount	1
1	46731	Extrusion, Slide Rail for Nrw sliding pivot 28.25"	1
2	46889	Bushing, Sliding Bushing for Nrw Pivot 14.125 (Pair of 2)	4
3	18613	Nut, 5/16" Nylock Nut	4
4	46733	Extrusion, Pivot Mount for Nrw sliding pivot 3"	2
5	46732	Extrusion, Outer Ext for Nrw sliding pivot 62.25"	2
6	18400	Washer, 5/16" USS Flat Zinc	16
7	18223	Bolt, 5/16" x 3 1/2" Hex Head Bolt zinc Grade 5	4
8	102706	Bolt, 5/16" x 5/8" Hex Head Bolt zinc Grade 5	8
9	46744	Bracket, Belly Strap For Nrw sliding pivot	1
10	102697	Bolt, 1/4-20 x 1/2" Thread Cutting Screw	4

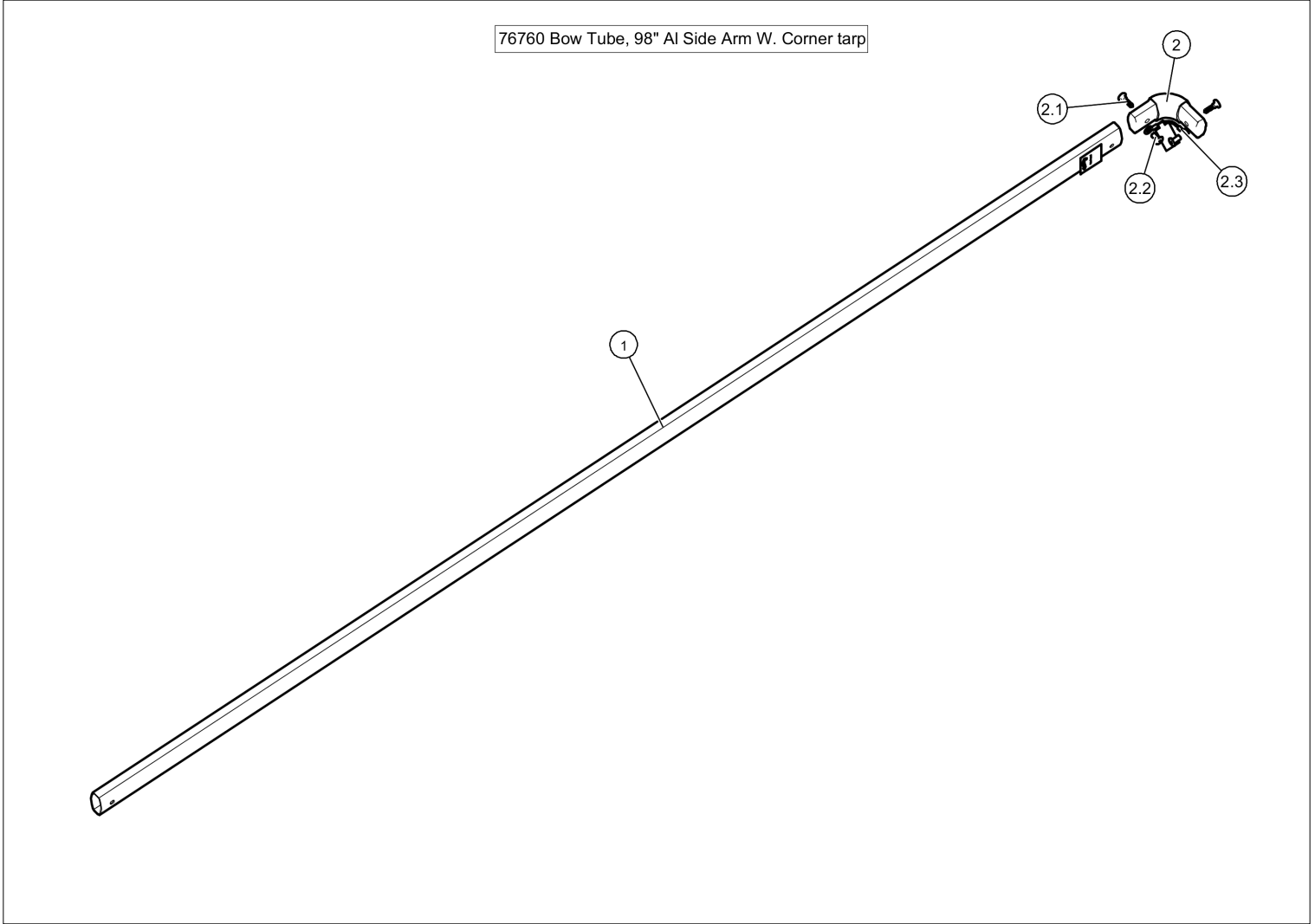
Bow Set 76720 Pivot Set, 4 Spring w/ 60" Aluminum Pivot Tube



Item	Part No.	Name	Qty
REF	76720	Bow Set, 103 1/2" Wide Top Tube w/ 98" Bow Arms	1
1	76760	Bow Tube, 98" Al Side Arm W. 90° Corner	2
1.1	76800	Casting, Aluminum Corner - 90 Degree	2
1.2	18718	Bolt, 1/4-20 x 1 3/16 Golt Clear Zinc - Post bolt for 90 degree corners	2
1.3	18719	Nut, 1/4-20 Cap Conn Nut Clear Zinc - Post bolt for 90 degree corners	4
1.4	76770	Bow Tube, AL Top Tube for Tarp Bow 98"	4
2	76810	Flange, Tarp Flange -pair-	2
3	76870	Bow Tube, AL Wide Top Tube for Tarp Bow - 103 1/2"	1

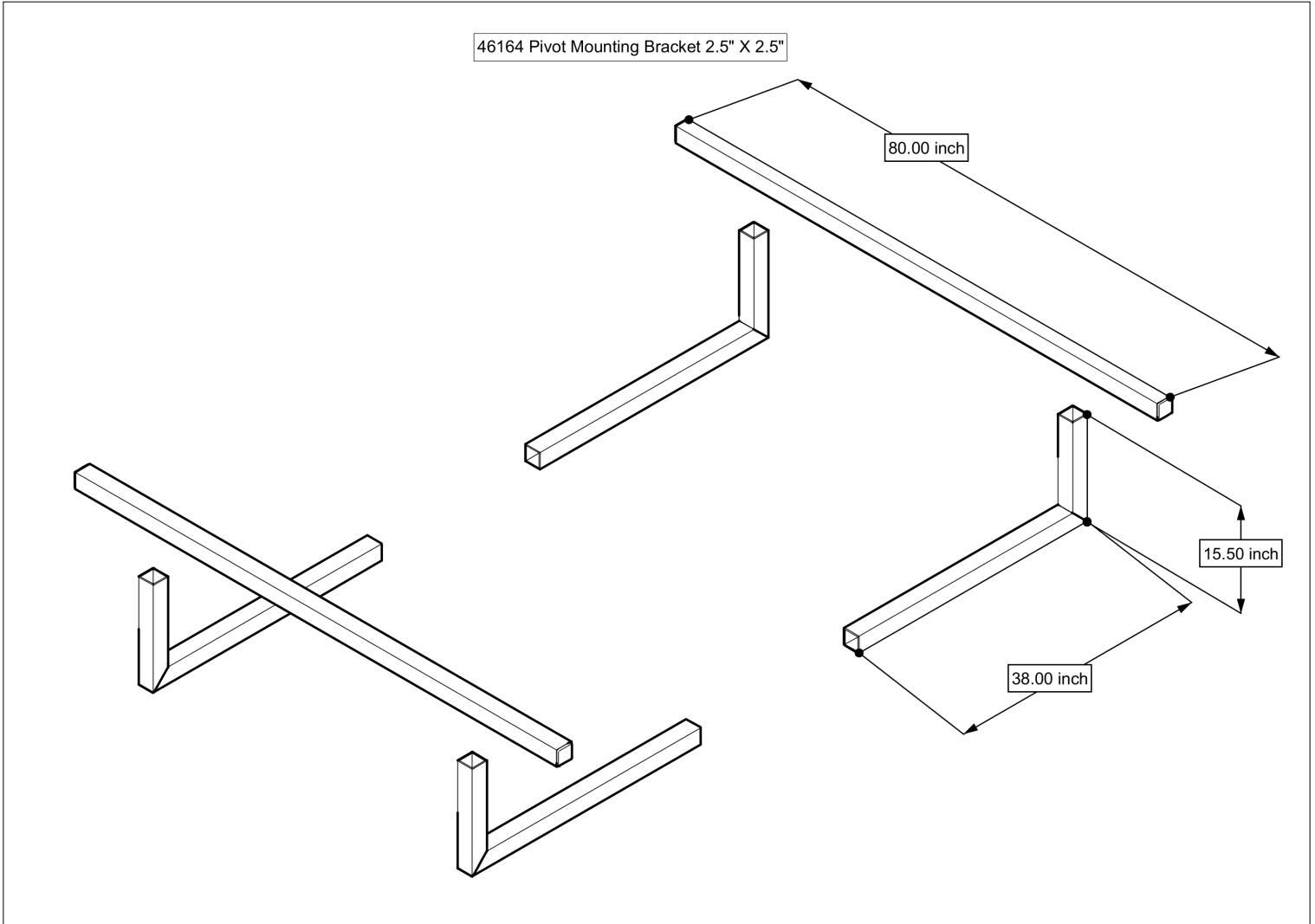
Bow Set 76760 Bow Tube, 98" Al Side Arm W. 90° Corner

76760 Bow Tube, 98" Al Side Arm W. Corner tarp



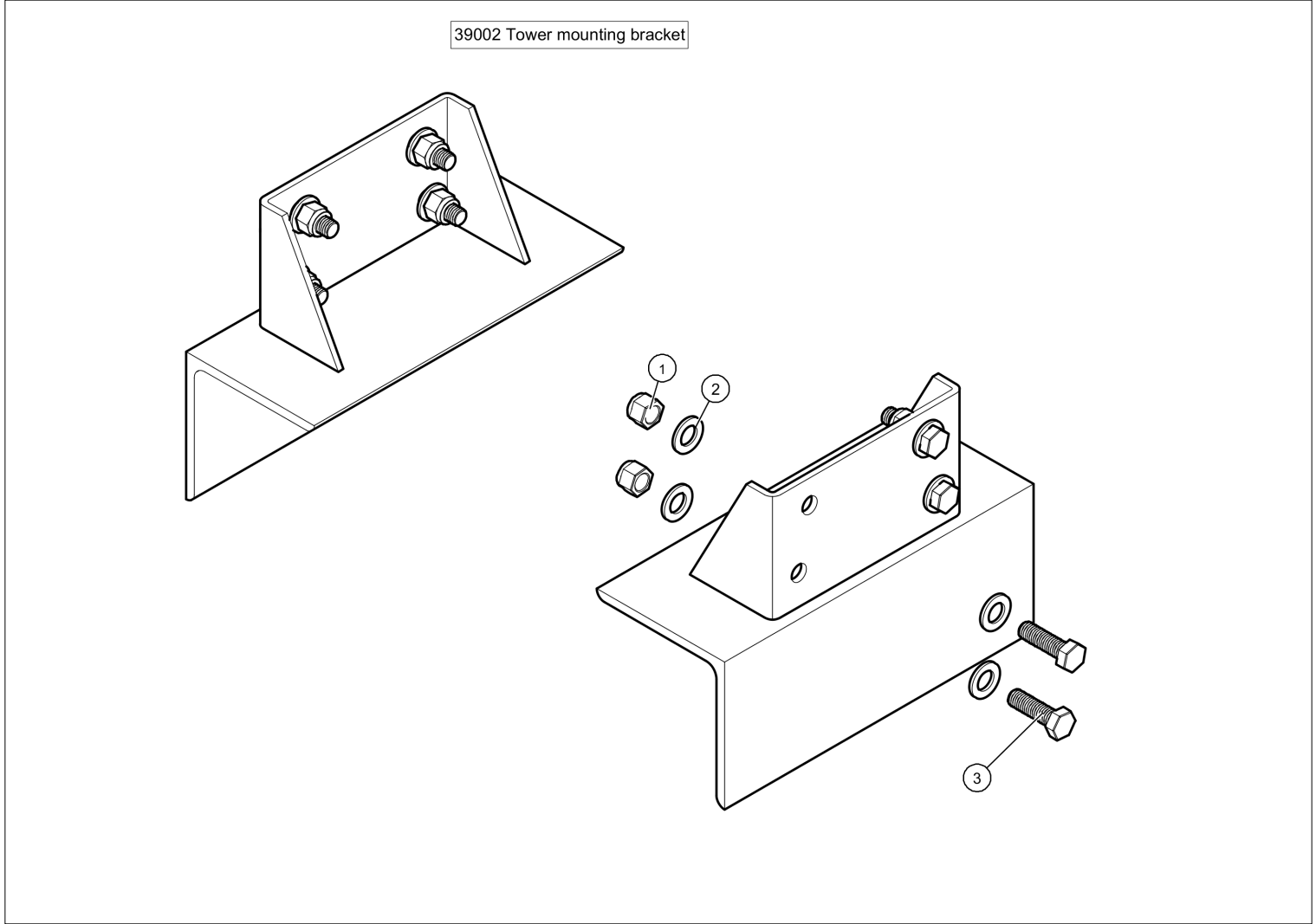
Item	Part No.	Name	Qty
Ref	76760	Bow Tube, 98" Al Side Arm W. 90° Corner	1
1	76770	Bow Tube, AL Top Tube for Tarp Bow 98"	1
2	76800	Casting, Aluminum Corner - 90 Degree	1
2.1	18719	Nut, 1/4-20 Cap Conn Nut Clear Zinc - Post bolt for 90 degree corners	2
2.2	18718	Bolt, 1/4-20 x 1 3/16 Golt Clear Zinc - Post bolt for 90 degree corners	2
2.3	103533	Tether, Cable with Install Label for 90 degree corner	1

Optional Mounting Brackets 46164 Bracket, Mounting Brackets for 3" Narrow Profile Sliding Pivots - Set



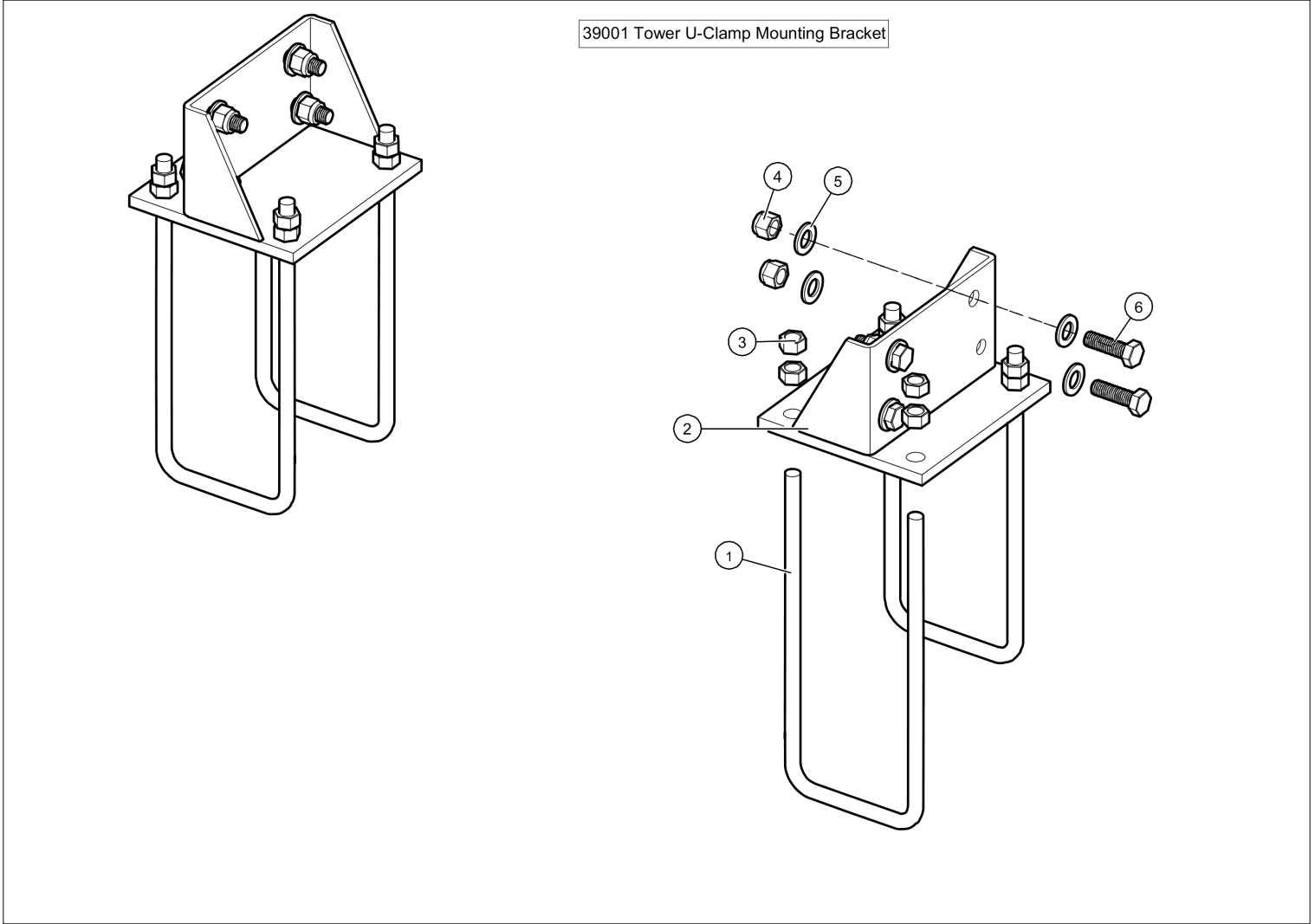
Item	Part No.	Name	Qty
REF	46164	Bracket, Mounting Brackets for 3" Narrow Profile Sliding Pivots - Set	1

Tower Mounting Brackets 39002 Bracket, Side Frame Style Tower Mounting Bracket - Set



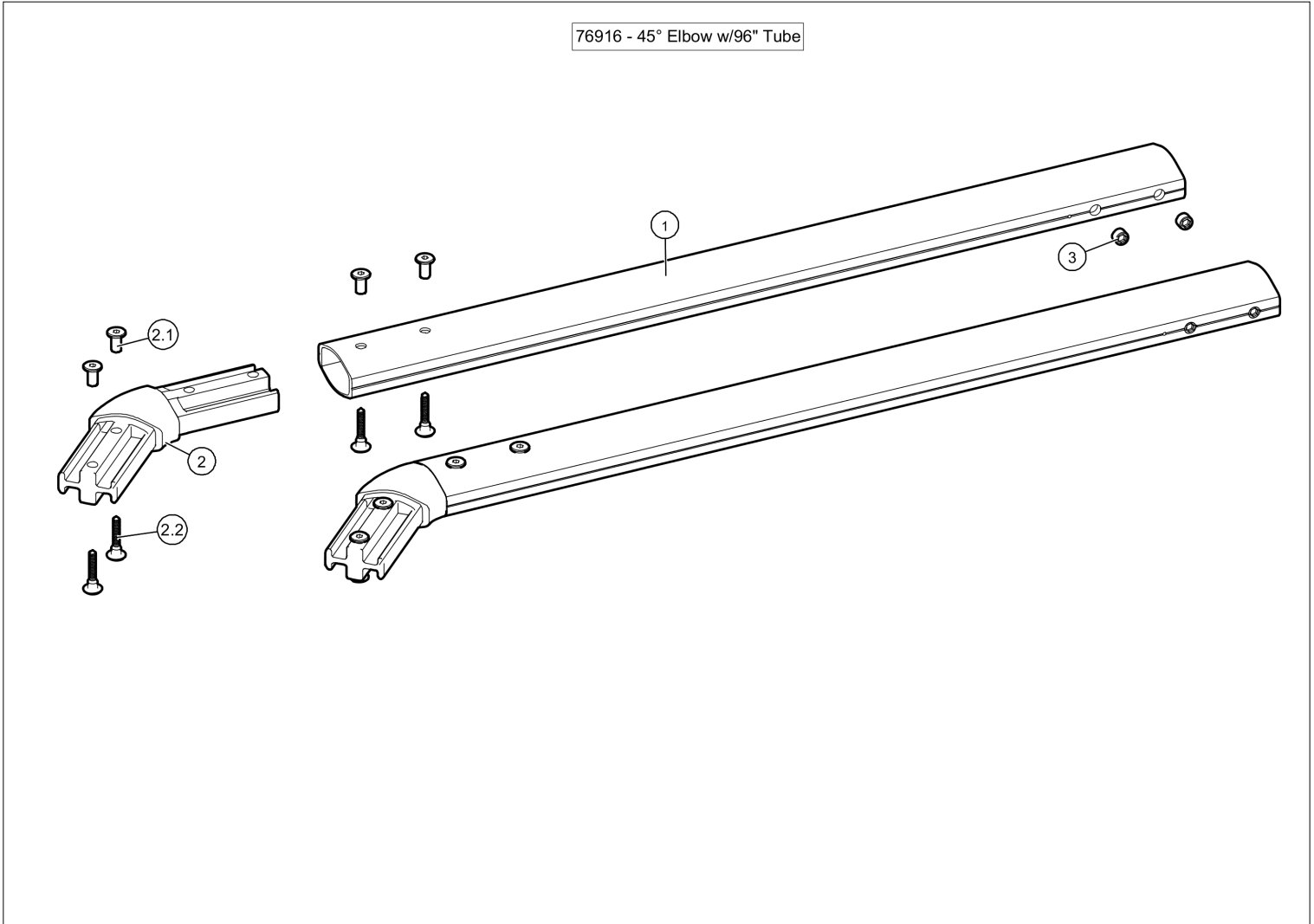
Item	Part No.	Name	Qty
REF	39002	Bracket, Side Frame Style Tower Mounting Bracket - Set	1
1	18587	Nut, 5/8" -10 Grade 8 Yellow Zinc Nylon Insert Lock Nut	8
2	18417	Washer, 5/8" Lock SAE	16
3	18738	Bolt, 5/8"-11 x 2 Hex Head Grade 8 Yellow Zinc	8

Tower Mounting Brackets 39001 Bracket, U-bolt Style Tower Mounting Bracket - Set



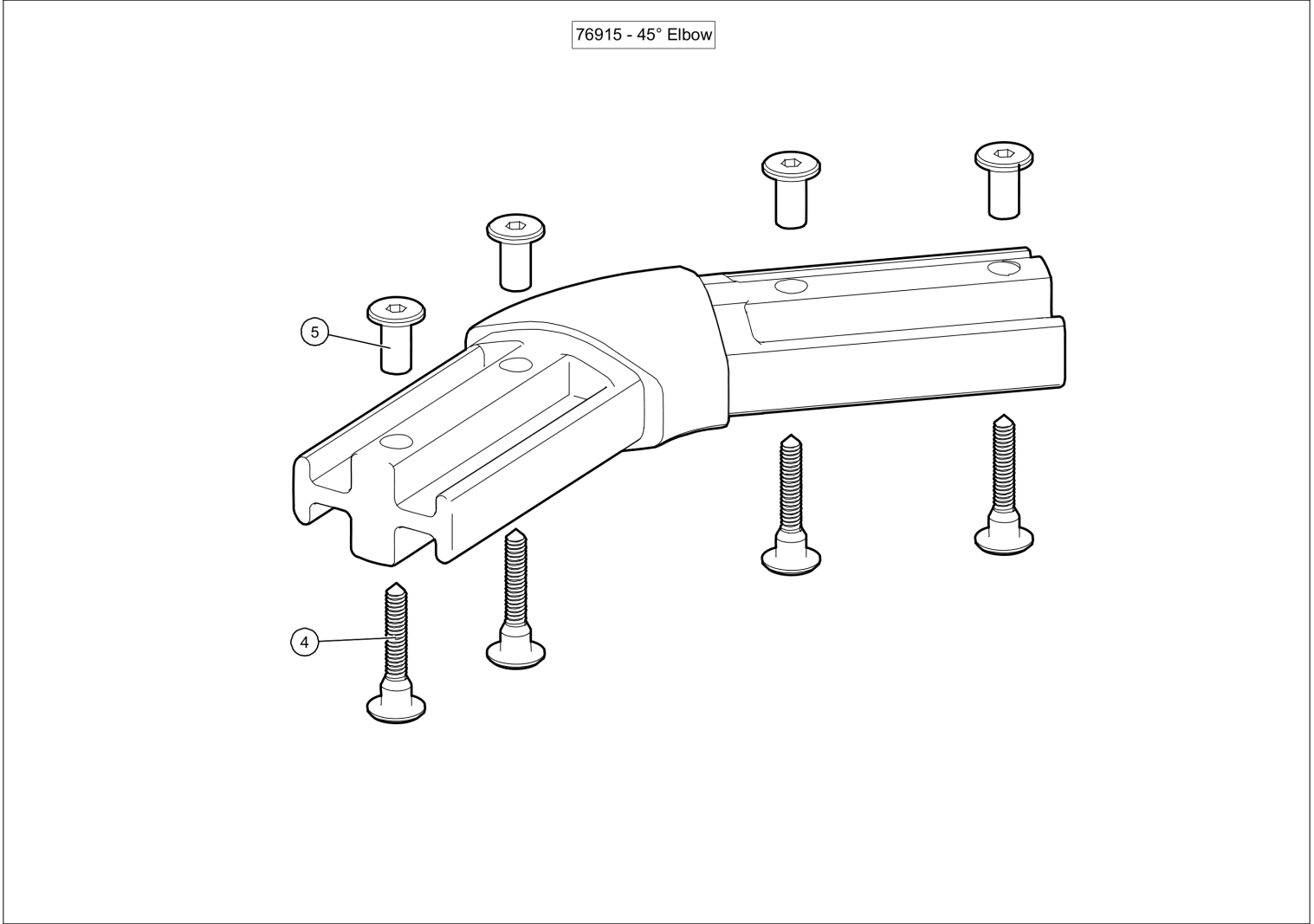
Item	Part No.	Name	Qty
REF	39001	Bracket, U-bolt Style Tower Mounting Bracket - Set	1
1	18714	Bolt, 5/8" x 14" U Bolt w/ 3 1/2" bottoms-Grd8 Fine Thread	1
2	100397	Bracket, U-bolt style tower mounting bracket (welded Pad and Gusset)	1
3	18305	Nut, 5/8" - 18 HEX G5 ZINC - For U Bolts	1
4	18587	Nut, 5/8" -10 Grade 8 Yellow Zinc Nylon Insert Lock Nut	2
5	18417	Washer, 5/8" Lock SAE	1
6	18738	Bolt, 5/8"-11 x 2 Hex Head Grade 8 Yellow Zinc	1

45° Elbow w/96" Tube 76916 Pivot, 45° Low Arm Elbow Kit w/ 24" Extension



Item	Part No.	Name	Qty
REF	76916	Pivot, 45° Low Arm Elbow Kit w/ 32" Extension	1
1	102113	Pivot Tube, 32" Drilled for 45 Degree Offset	1
2	76915	Casting, Extreme Duty 45 deg Flat Pivot Tube Elbow	1
2.1	18719	Nut, 1/4-20 Cap Conn Nut Clear Zinc - Post bolt for 90 degree corners	1
2.2	103306	Bolt, 1/4-20 x 1 37/64" Bolt Clear Zinc - Post Bolt w/ Patch (for HD 45° Offset)	2
3	18293	Screw, 1/2" x 3/8" Set Screw	1

45° Elbow w/96" Tube 76915 Casting, Extreme Duty 45 deg Flat Pivot Tube Elbow



Item	Part No.	Name	Qty
REF	76915	Casting, Extreme Duty 45 deg Flat Pivot Tube Elbow	1
1	18718	Bolt, 1/4-20 x 1 3/16 Golt Clear Zinc - Post bolt for 90 degree corners	1
2	18719	Nut, 1/4-20 Cap Conn Nut Clear Zinc - Post bolt for 90 degree corners	2

Appendix B:Parts Index

100389	4-3, 4-5	18420	4-3
100397	7-2	18587	7-1, 7-2
100740	3-1	18613	4-2, 4-4, 4-5
100919	4-2, 4-4	18628	3-1, 3-4
100920	4-1	18631	3-1, 3-3
10122	3-1	18645	4-3
101473	1, 3-1	18712	4-3
101672	4-1	18714	7-2
101675	3-1, 3-3	18718	5-1, 5-2, 8-2
101786	3-4	18719	5-1, 5-2, 8-1, 8-2
102113	8-1	18738	7-1, 7-2
102420	4-1	19470	3-1
102697	4-5	19801	3-1, 3-4
102706	4-5	19865	3-1, 3-4
102814	3-5	31030	3-1
102816	3-5	31050	3-1
103306	8-1	36164	3-1, 3-3
103533	5-2	36300	3-1, 3-3
10778	3-1	36314	4-2, 4-4
10794	3-1	39001	1, 7-2
1130	3-1	39002	1, 7-1
1131	3-1	39004	3-2
1132	3-1	39006	3-1
11325	3-1	39090	4-1
11330	3-1	39092	4-1
11345	3-1	39169	3-2
11350	3-1	39179	3-2
16200	3-4	39206	3-1
16212	3-1	39297	4-2, 4-4
17914	3-1	39299	3-1, 4-2, 4-4
18120	3-1, 3-3	39410	3-5
18223	4-2, 4-4, 4-5	39431	3-5
18242	3-1	39520	3-1
18245	3-1, 3-3	39605	3-5
18260	3-1, 3-3	39615	3-1
18286	3-4	39616	3-1, 3-5
18293	8-1	46164	1, 6-1
18305	7-2	46731	4-5
18308	4-2, 4-4	46732	4-5
18400	3-4, 4-5	46733	4-5
18412	3-1, 3-3	46734	4-3
18417	4-3, 7-1, 7-2	46744	4-5
		46889	4-5

47730	1
47731	4-1, 4-2
47732	4-1, 4-4
47733	4-2
47734	4-4
47735	4-2, 4-3, 4-4
47784	4-3
69350	1
76720	1, 5-1
76760	5-1, 5-2
76770	5-1, 5-2
76800	5-1, 5-2
76810	5-1
76870	5-1
76915	8-1, 8-2
76916	1, 8-1



Automated Covering Systems

650 Industrial Drive · Gladwin, MI 48624

Warranty Policy

Roll Rite, LLC warrants all of its products except tarps to be free of defects in material or workmanship under normal use and service for a period of one year from date of shipment.

In addition, Roll Rite, LLC warrants all of its electric and hydraulic gear motors against premature wear out. Gear motors using worm gears are warranted against wear out for a period of three (3) years. Gear motors using spur and/or helical gears are warranted against wear out for a period of five (5) years.

Roll-Rite, LLC shall be the sole judge of the warrantability of alleged product defects or premature wear. Roll-Rite, LLC reserves the right to refuse to honor this warranty for any products improperly modified, installed, used, abused, or damaged including modifications to electrical specifications or other problems not due to defects in Roll Rite, LLC workmanship or materials.

Except as outlined below, this warranty is specifically limited to the replacement or repair, at Roll Rite, LLC's option, of any such warrantable defects or premature wear, without charge, when the complete product is returned to the factory freight prepaid.

You must obtain a Return Goods Authorization (RGA) number before returning the product. To apply for a RGA number use our online [RGA form here](#) - or - contact the factory at 800-297-9905. Products received without a RGA number clearly marked on the outside of the package will be refused.

Products that are returned for warranty examination and that are found to be non-warrantable are chargeable. Damaged non-warrantable products will only be returned to the customer if this is requested before any work is begun. The customer will be responsible for the cost of repair and return shipping of non-warrantable products. Payment authorization must be received by Roll-Rite, LLC before any non-warrantable equipment is returned. Warrantable products are repaired or replaced at no charge and returned freight prepaid via the same or comparable means that were used to send the product in.

This limited warranty excludes all other warranties, express or implied. Except as specifically outlined above, Roll-Rite, LLC shall not be liable for warranty in any amount exceeding the purchase price of the goods. Roll-Rite, LLC shall not be liable for any special incidental or consequential damages. This warranty gives you specific legal rights. You may also have other rights, which may vary from state to state and country to country.

For more information, please call the factory at **1-800-297-9905**. Outside U.S. & Canada: 989-345-3434 Fax: 989-345-7805 e-mail: info@RollRite.com