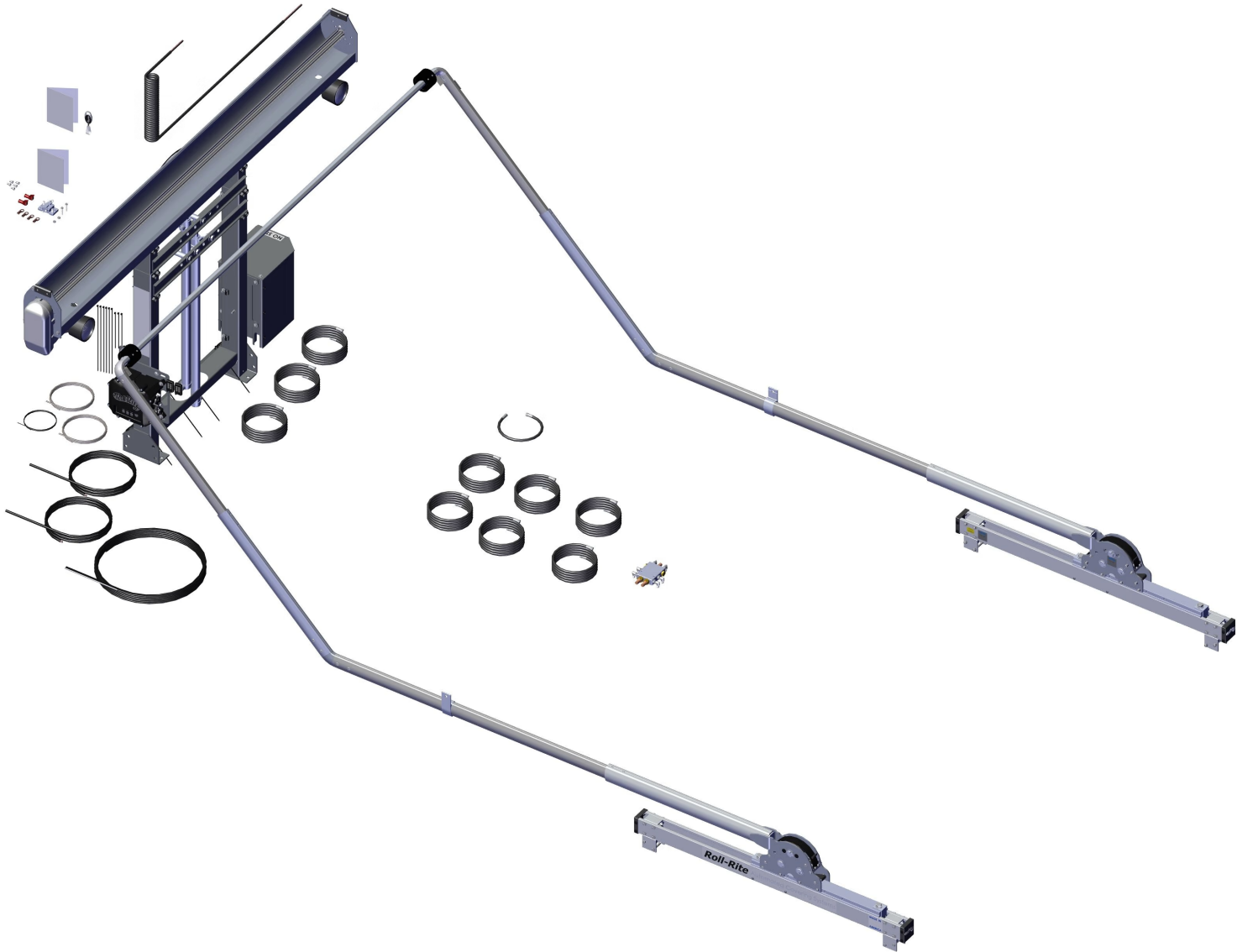




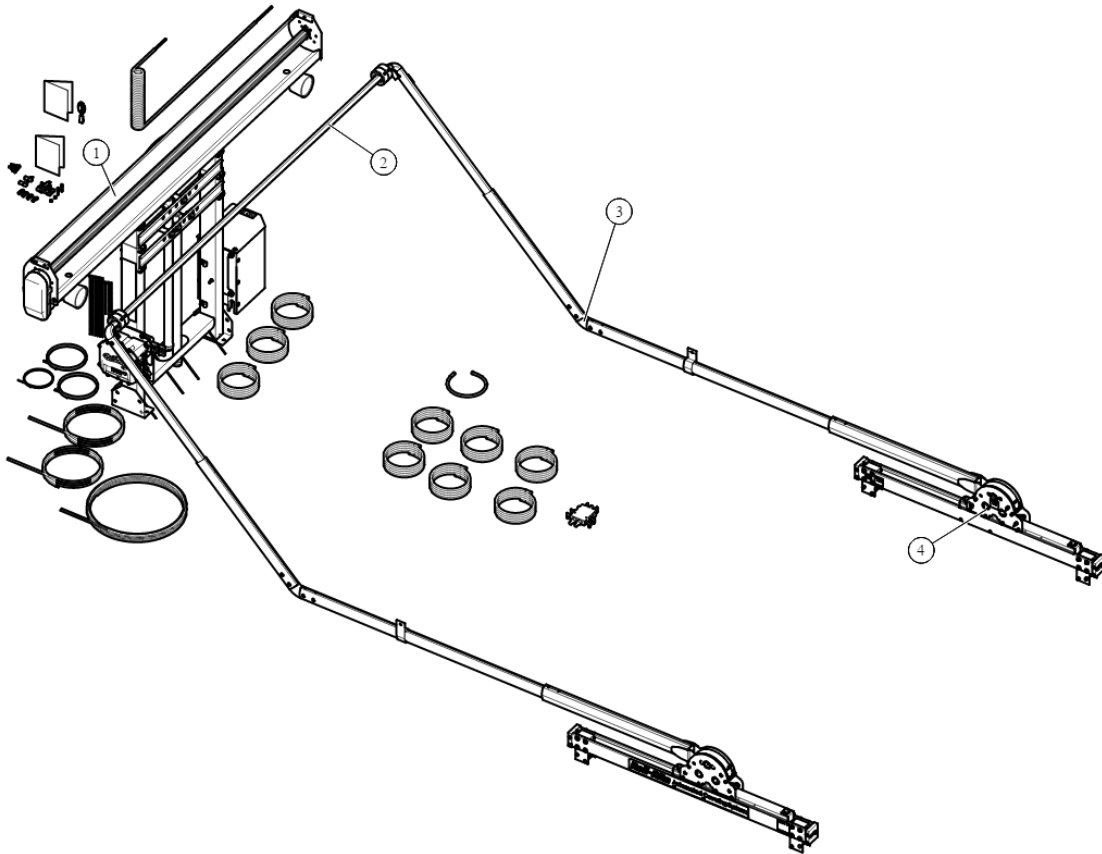
Bill of Materials List

DC352, SD Dual Stage Tower, Super Slider Pivot, Wide Bow Set, 45° Offsets



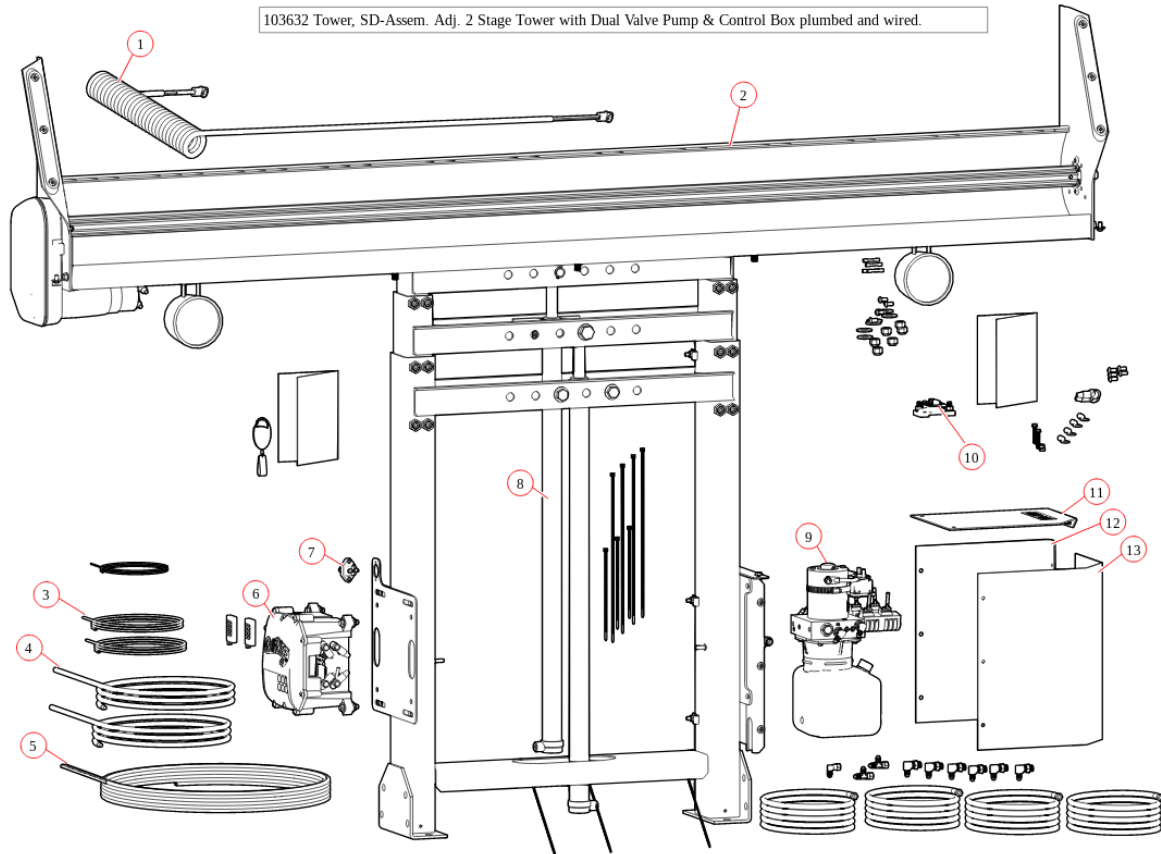
Product #: 69352

69352



Bom Id	Part # Description	Qty
3	47730 Pivot Set. 20" Narrow Profile Sliding 6 Spring Pivot Set w/ 96" Tubes	1

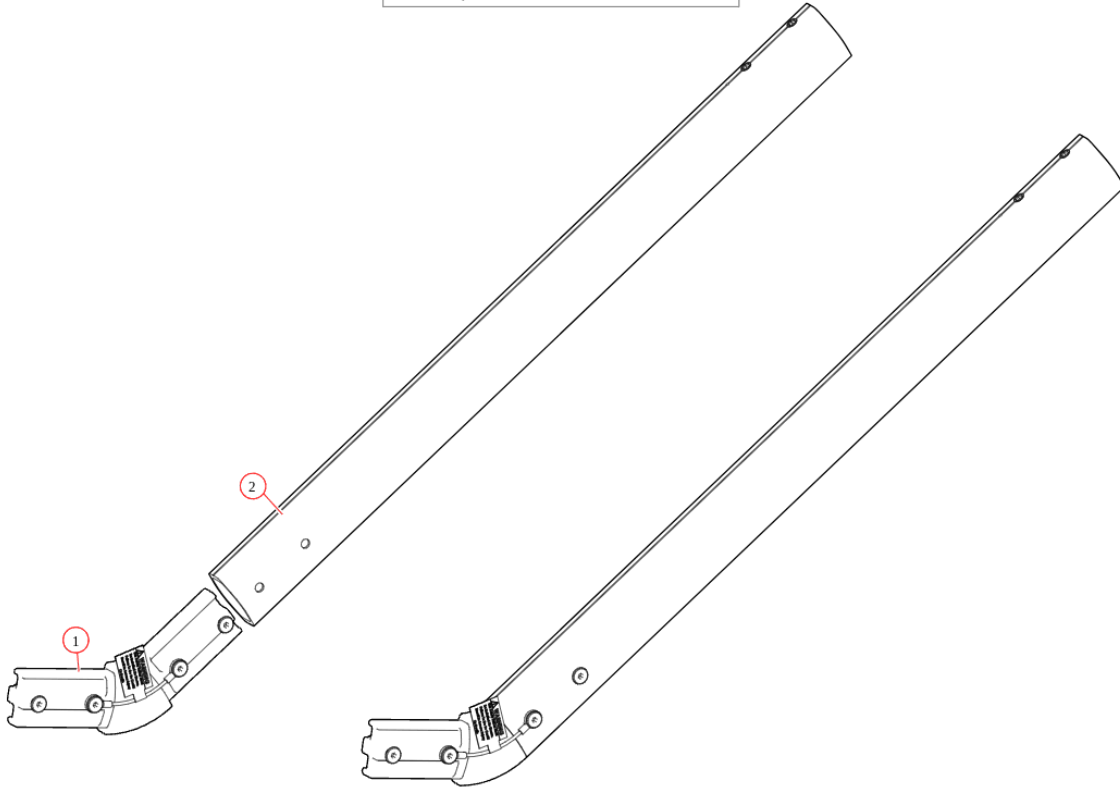
103632



Bom Id	Part #	Description	Qty
1	11328	Wire. 2 Stage Tower Coil 110" - Assembled	1
2	100527	Spool Kit. Super Duty Tarp Spool w/98" Integrated Housing & High Wing	1
3	11345	Wire. 16 ga. 2-Conductor (per foot)	1
4	11350	Wire. 2 Ga. Single Conductor - (per foot) - Black	2
5	11330	Wire. 6 Ga. Dual Conductor - (per ft)	1
6	19865	Control Box. Wireless Black Control Box - 12/24V Waste	1
7	17918	Breaker. 35A Outdoor Manual Reset Circuit Breaker	1
9	39520	Cylinder. 1.5" Bore x 36" Stroke DA. Single Flange Mount	1
10	17913	Breaker. 100 amp Manual Reset Breaker Kit for 24V & 12V Integrated pump	1
11	10778	Bracket. Steel Vert Pump Mount Cover	1
13	39615	PUMP COVER. POLY SIDE COVER FOR VERT MOUNT PUMP	1

76916

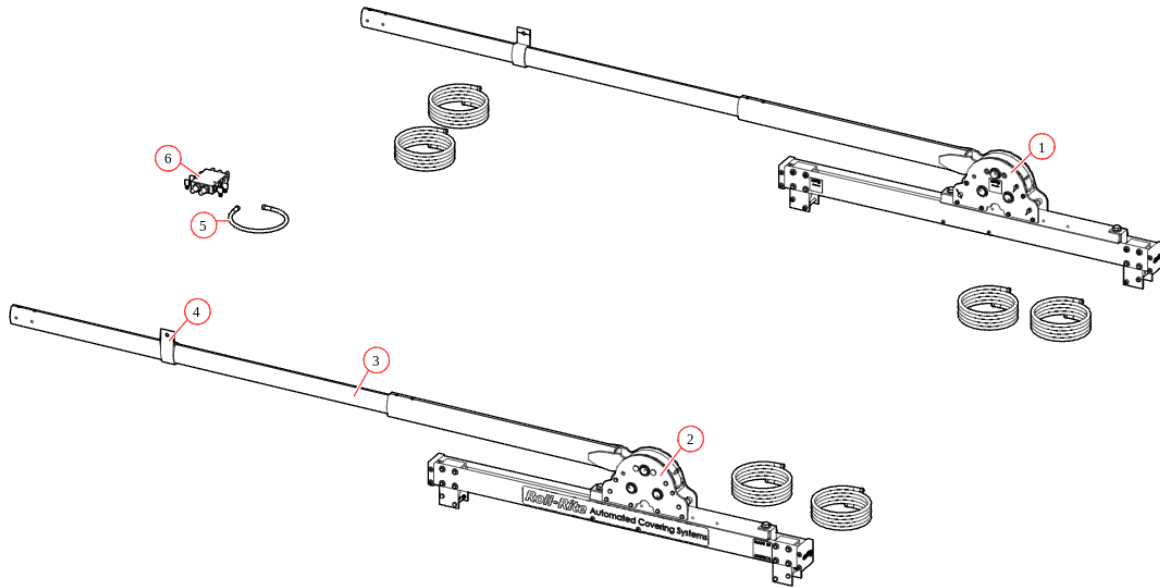
76916 Pivot, 45° Low Arm Elbow Kit 32" Extension



Bom Id	Part #	Description	Qty
1	76915	Casting. Extreme Duty 45 Elbow for Pivot Tube	2
2	76917	Pivot. Pivot Tube Extension. 32.5"	2

47730

47730 Pivot Set, 20" Super Slider w/ 120" Pivot tubes



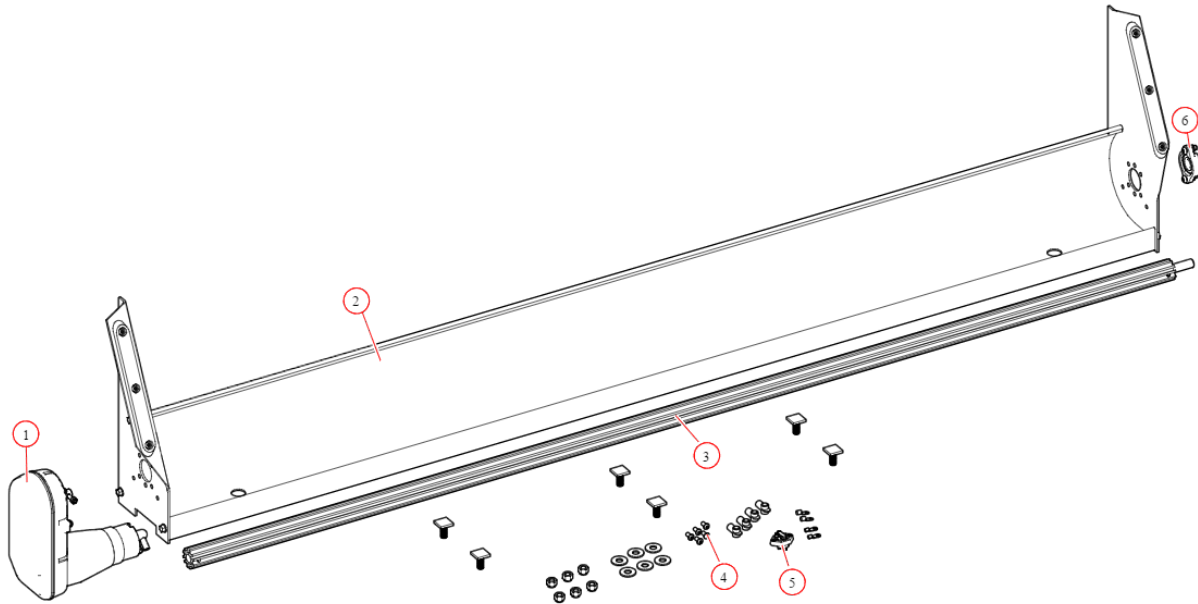
Bom Id	Part #	Description	Qty
1	47732	Pivot Passenger. Narrow Side Assembled Sliding Pivot w/Out Tube	1
2	47731	Pivot Driver. Narrow Side Assembled Sliding Pivot w/out Tubes	1
3	102420	Pivot Tube. 96" Tube Drilled for Set Screws & for 45 Degree Offset	2
4	76831	Bracket. Pivot Arm Tie Down	2
5	39092	Hose. 14.5" Replacement Bleeding Hose	1
6	39090	Manifold. Hydraulic Synchronizing	1



Bill of Materials List

100527

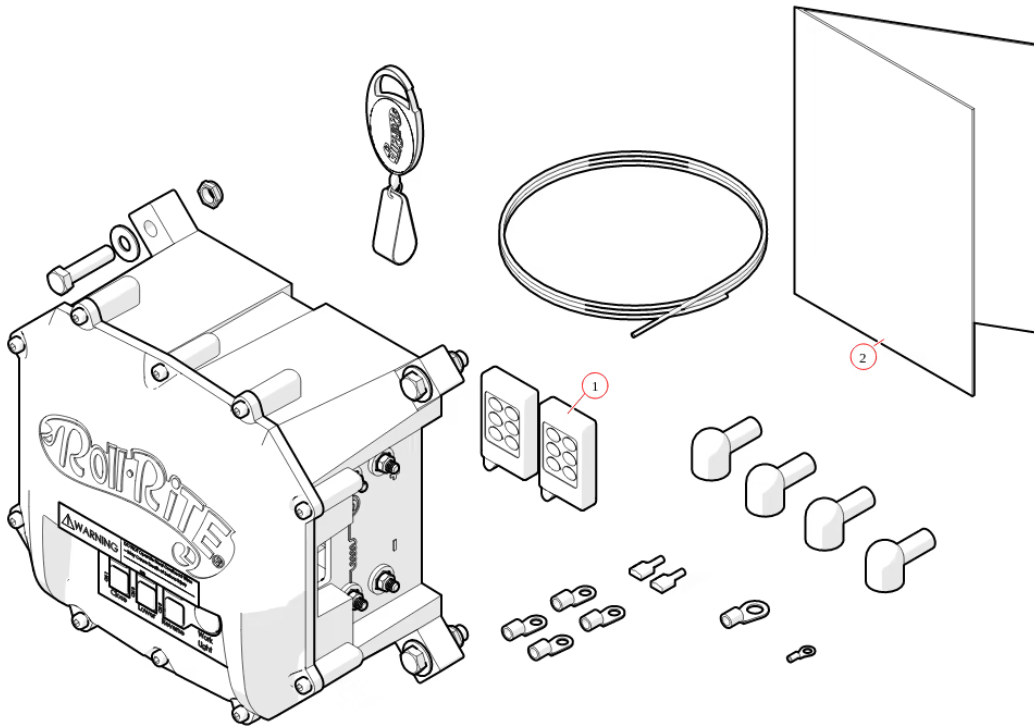
100527 Spool Kit, SD for Tower w/ 98" Int. Housing and High Wing Endcaps



Bom Id	Part # Description	Qty
1	10122 Super Duty Motor 12V. 5 Year Warranty :S/N:	1
2	36167 Housing. Spool 98" Aluminum Integrated Housing w/ Extended Endcaps	1
3	31030 Axle. 97" Pre-Threaded Tarp Axle w/Stub Shaft	1
4	18260 Bolt. 5/16" x 5/8" Button Head Bolt - Zinc Plated	5
5	17918 Breaker. 35A Outdoor Manual Reset Circuit Breaker	1
6	31050 Bearing. 3/4" Flanged Axle Bearing with bolts	1

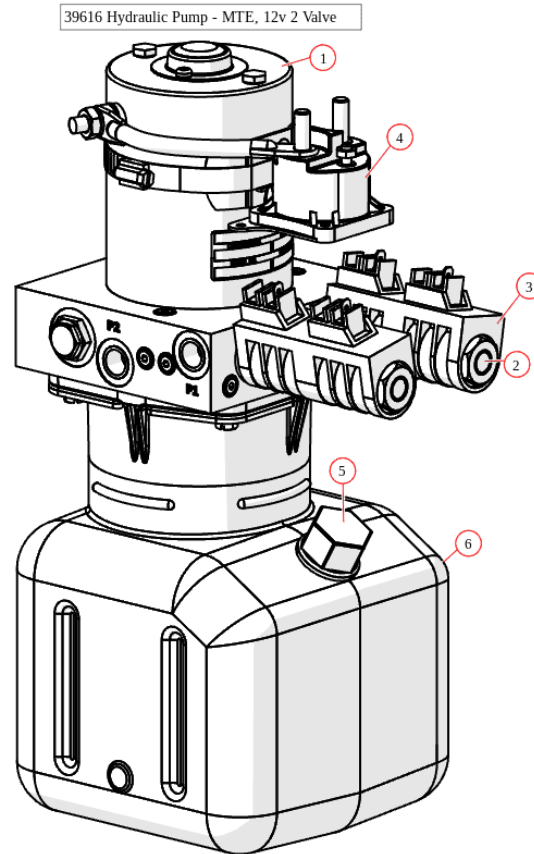
19865

19865 Control Box, wireless Black Control Box for Waste, 12 V



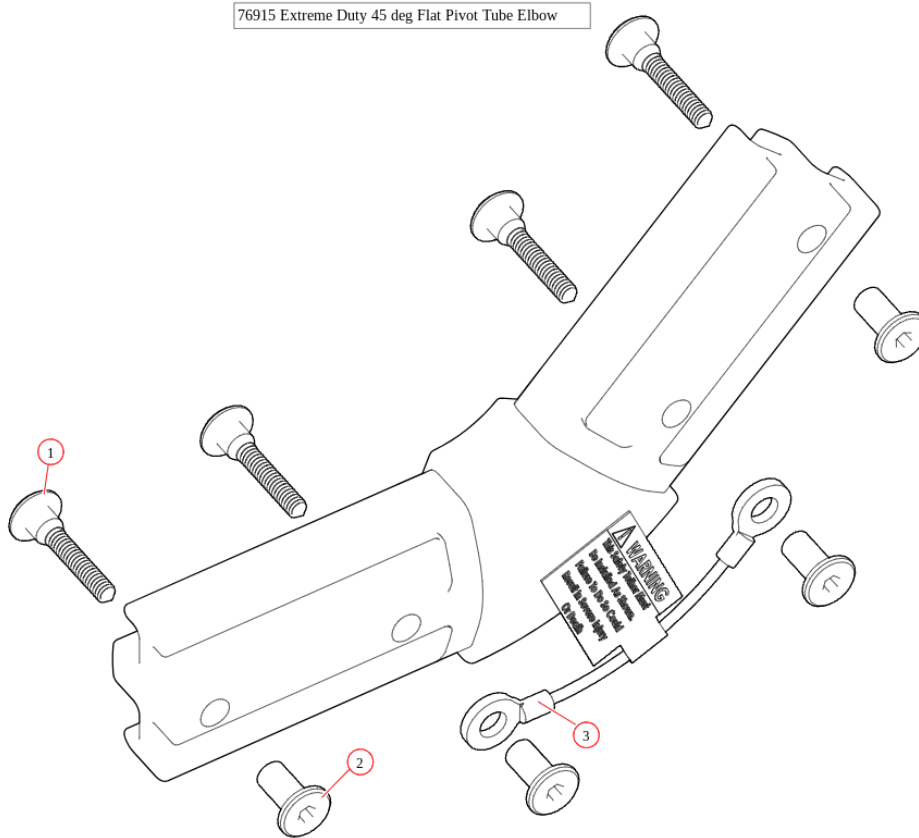
Bom Id	Part #	Description	Qty
1	19801	RF Transmitter/FOB. 433MHz. Gen1 Motor Relay	2
2	101786	Instructions. Push button Control Box	1

39616



Bom Id	Part #	Description	Qty
1	102832	Motor. Replacement Motor for Hydraulic Pump 12 V (39612 & 39712) MTE39200513	1
2	103412	Valve. 3P4W. Closed Center. MTE	2
3	102079	Solenoid. 12VDC Start Switch for Power Unit (39612 & 39712) MTE39002136	4
4	102078	Coil. 12VDC for Power Unit (39612 & 39712) MTE39002301	1
5	102073	Cap Kit (Cap and Rubber Grommet)	1
6	102074	Tank Kit. 1 Gallon MTE	1

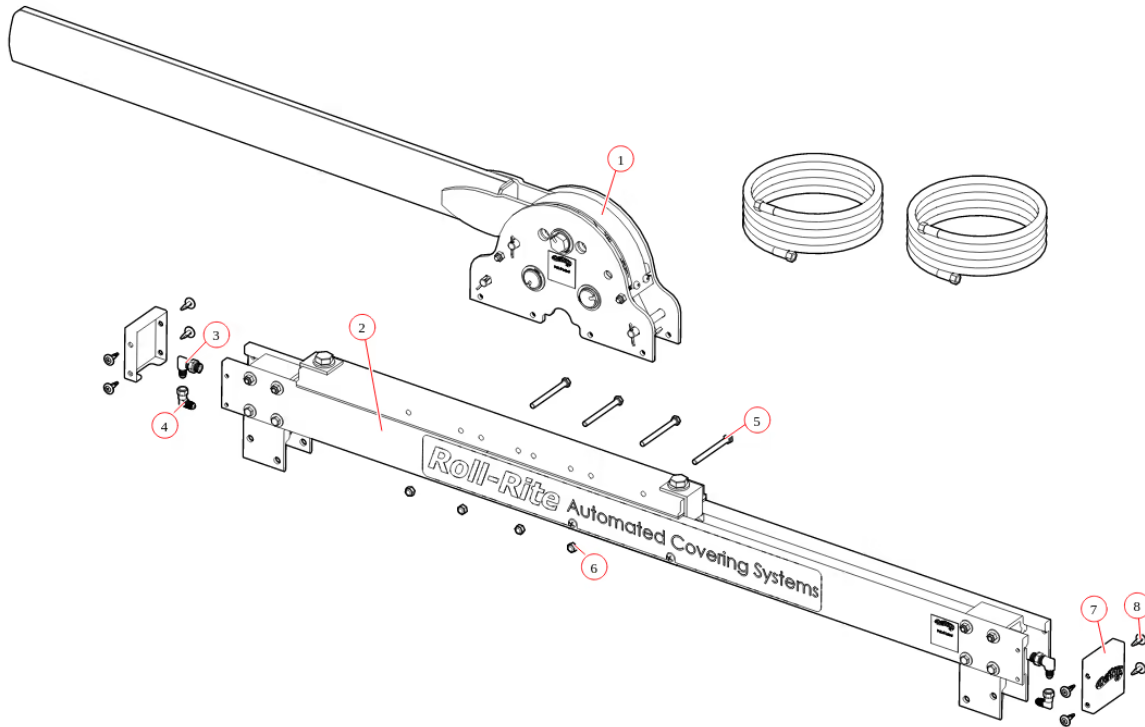
76915



Bom Id	Part #	Description	Qty
1	103306	Bolt. 1/4-20 x 1 9/16 Bolt Clear Zinc - Post bolt for 45 degree extreme corners	4
2	18719	Nut. 1/4-20 Cap Conn Nut Clear Zinc - Post bolt for 90 degree corners	4
3	104205	Tether. Extreme Duty Elbows	1

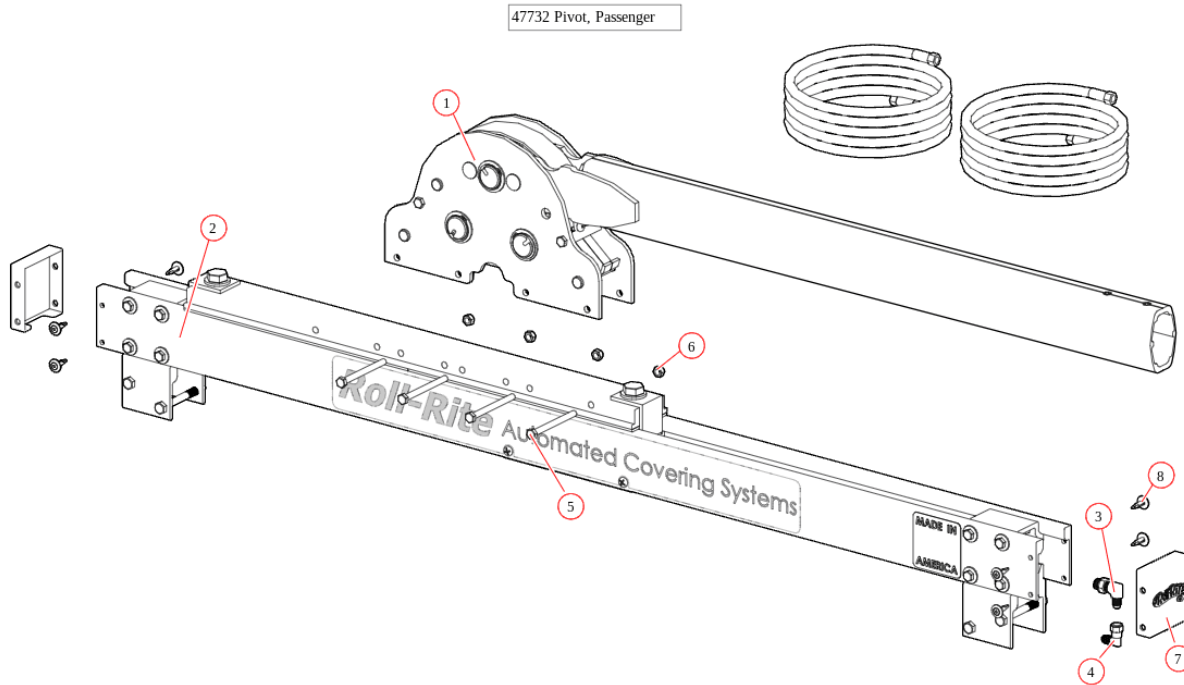
47731

47731 Pivot Driver Side Assembly



Bom Id	Part #	Description	Qty
1	47733	Pivot Assembly. Sliding Pivot Spring Pack Narrow Profile - Driver	1
2	47735	Pivot Assembly. Sliding Pivot Narrow Assembly Mount w/Cylinder	1
3	39098	Adapter. 90 #4 Male Tube to #6 Adj Male Oring	2
4	39297	Adapter. 90 #4 Male tube to #4 37° female swivel	2
5	18223	Bolt. 5/16" x 3 1/2" Hex Head Bolt zinc Grade 5	4
6	18613	Nut. 5/16" Nylock Nut	4
7	36314	Cap. End cap w/ logo for Nrw Sliding Pivot	2
8	18308	Rivet. Push Rivet for Pump Cover - Plastic	8

47732



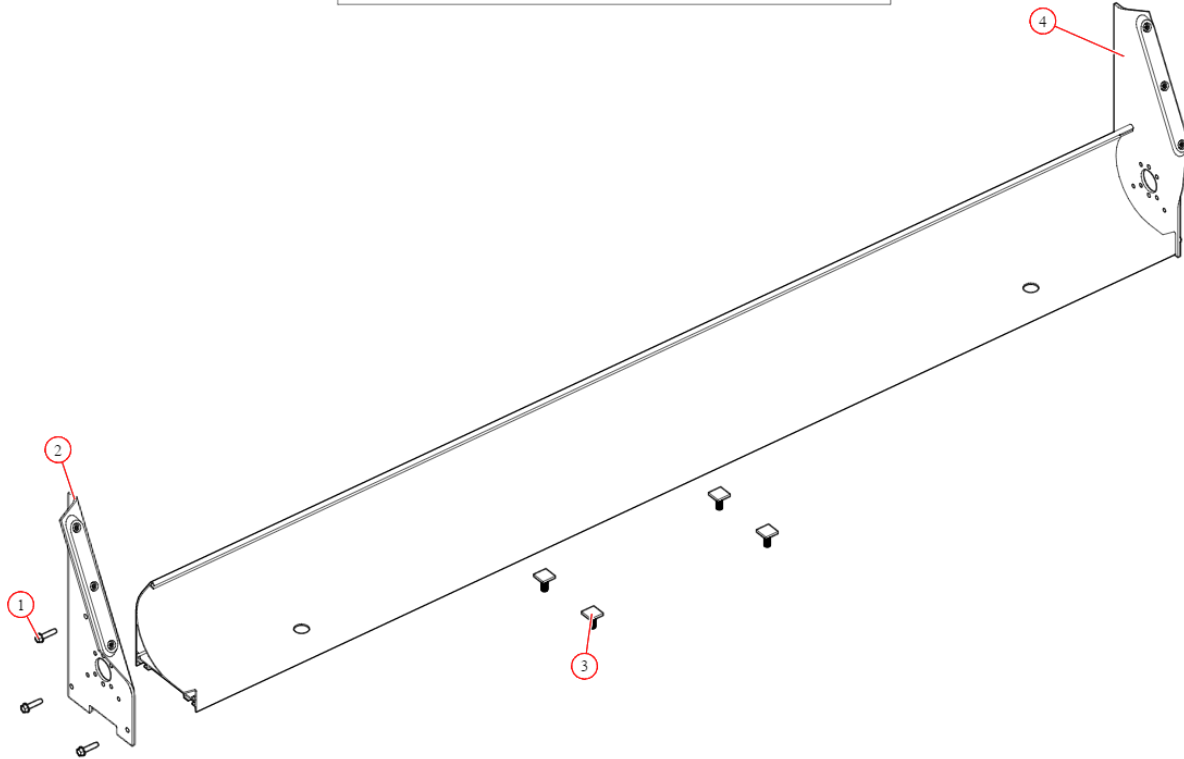
Bom Id	Part #	Description	Qty
1	47734	Pivot Assembly. Sliding Pivot Spring Pack Narrow - Passenger	1
2	47735	Pivot Assembly. Sliding Pivot Narrow Assembly Mount w/Cylinder	1
3	39098	Adapter. 90 #4 Male Tube to #6 Adj Male Oring	2
4	39297	Adapter. 90 #4 Male tube to #4 37° female swivel	2
5	18223	Bolt. 5/16" x 3 1/2" Hex Head Bolt zinc Grade 5	4
6	18613	Nut. 5/16" Nylock Nut	4
7	36314	Cap. End cap w/ logo for Nrw Sliding Pivot	2
8	18308	Rivet. Push Rivet for Pump Cover - Plastic	8



Bill of Materials List

36167

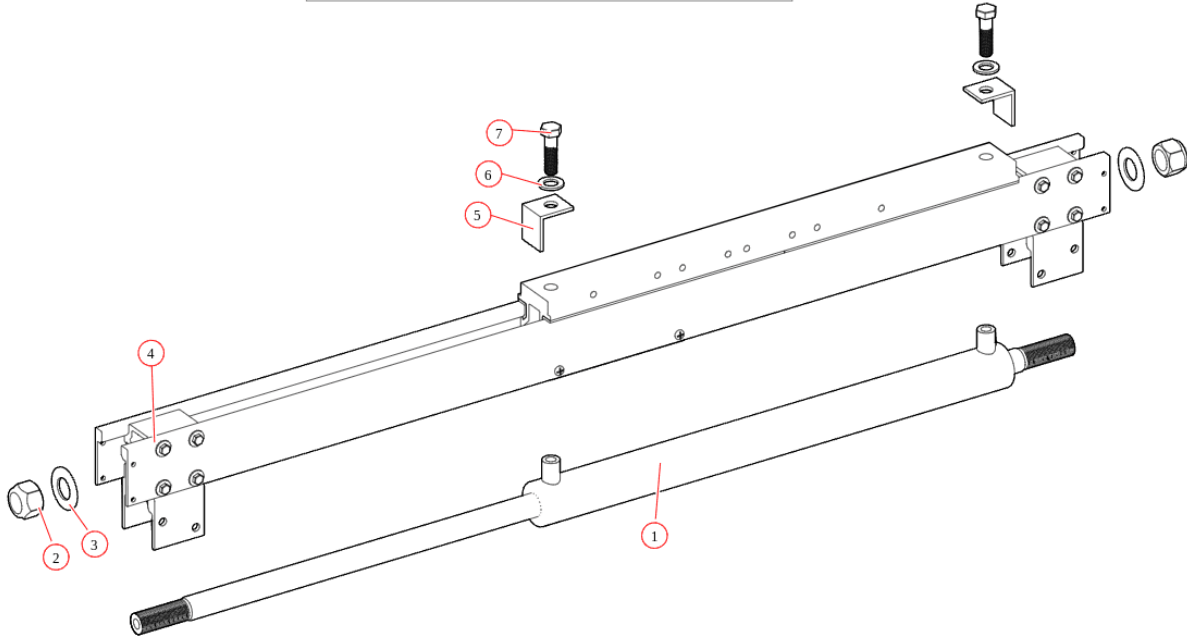
36167 Housing, Spool 98" Aluminum Integrated Housing w/ Extended Endcaps



Bom Id	Part #	Description	Qty
1	18120	Bolt. 3/8" x 1-1/2" Thread Cutting Screw Hex Washer Hd	6
2	36352	Bracket. Tarp Spool High Wing with bumper (Driver Side)	1
3	18245	Bolt. T-Bolt 1/2-13NCx1.75 for GAB	6
4	36353	Bracket. Tarp Spool High Wing with bumper (Pass Side)	1

47735

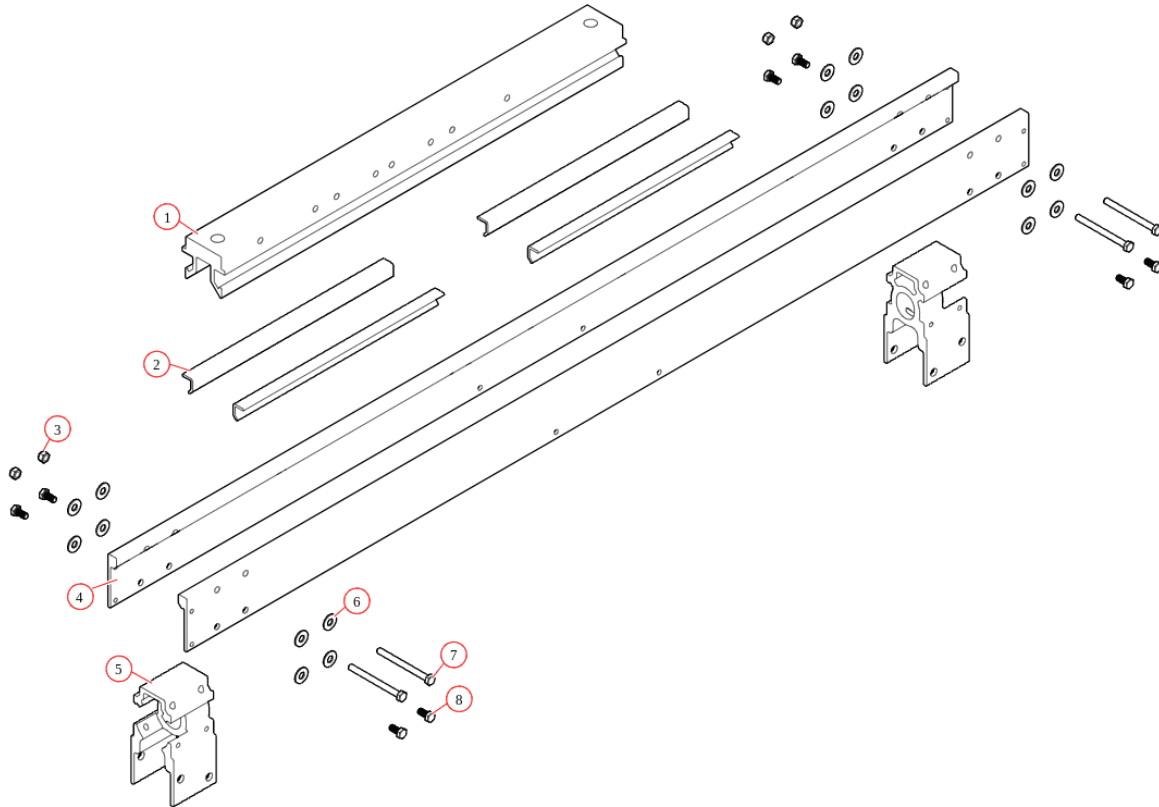
47735 Pivot Assem, Sliding Pivot Nrw Assembly Mount with Cylinder



Bom Id	Part #	Description	Qty
1	47784	Cylinder. Hydraulic only for 2' Sliding Pivot (each)	1
2	18645	Nut. 1- 1/8" -12 Nylock Nut	2
3	18420	Washer. 1-1/8" SAE Flat Zinc	2
4	100389	Pivot Assembly. Sliding Pivot Narrow Assembly Mount	1
5	46734	Bracket. Guide Retainer for Narrow Sliding Pivot Sliding Rail	2
6	18417	Washer. 5/8" Flat SAE. Zinc	2
7	18712	Bolt. 5/8" x 2 1/4 Hex Head	2

100389

100389 Pivot, Slide Assembly for Super Slider



Bom Id	Part #	Description	Qty
1	46731	Side Rail. Slide Rail for Narrow Sliding Pivot 28.25"	1
2	46889	Bushing. Sliding Bushing for Nrw Pivot 14.125 Each	4
3	18613	Nut. 5/16" Nylock Nut	4
4	46732	Extrusion. Outer Ext for Nrw sliding pivot 59.25"	2
5	46733	Extrusion. Pivot Mount for Nrw sliding pivot 3"	2
6	18400	Washer. 5/16" USS Flat Zinc	16
7	18223	Bolt. 5/16" x 3 1/2" Hex Head Bolt zinc Grade 5	4
8	102706	Bolt. 5/16" x 5/8" Hex Head Bolt zinc Grade 5	8